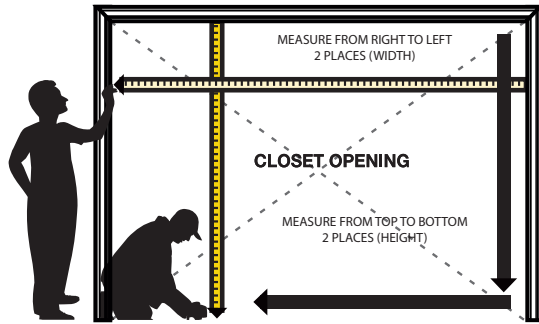


3000 Series Bifold Doors

How To Measure Your Finished Opening

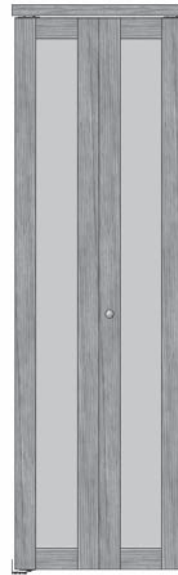


Tools Required for Assembly:

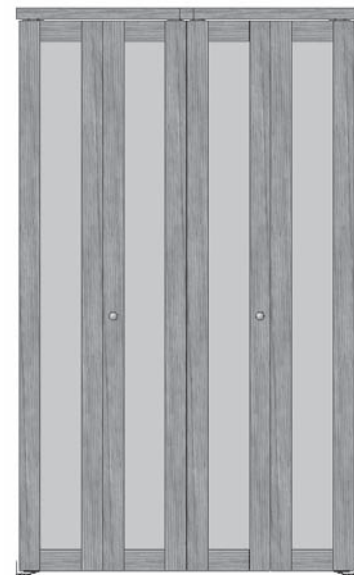
Tools Needed: Phillips Screwdriver, Pencil, Drill, Measuring Device, 3/16" (5mm) Drill Bit, 3/32" Drill Bit (optional for pilot holes).

Notes:

- Wear Safety Goggles
- Dimensions are in inches
Millimeters are shown in brackets
- Fits normal finished opening height of 80½"
- 2-Door and 4-Door Installations below.
For 4-Door Installations, 2 (two) 2-Door sets will need to be purchased



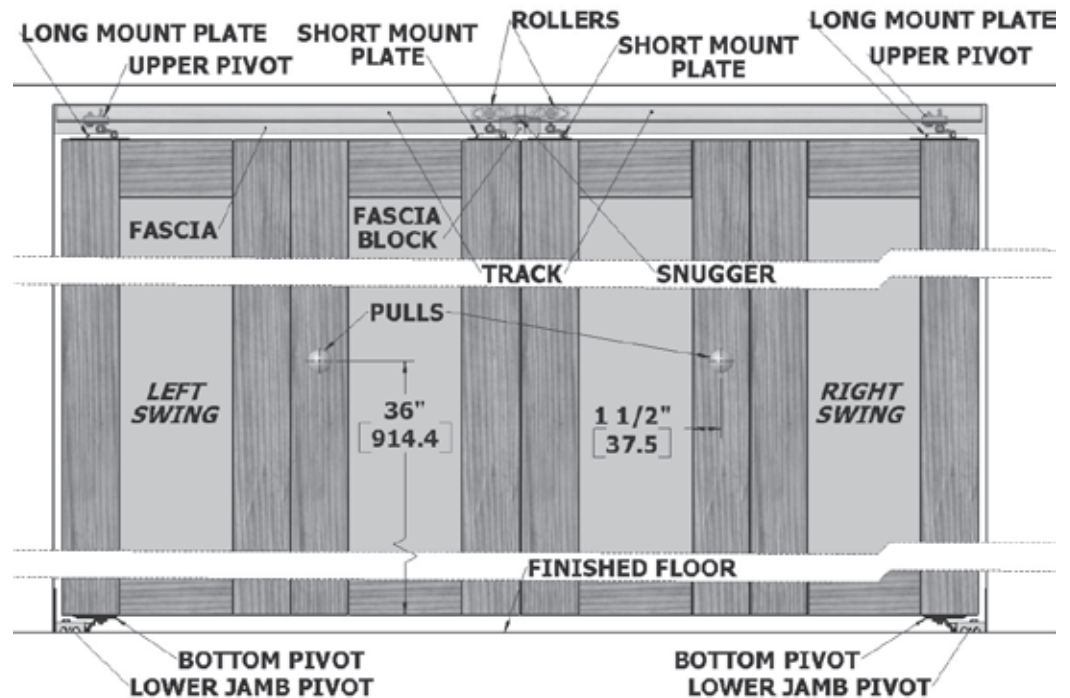
2 - Door Set



4 - Door Set

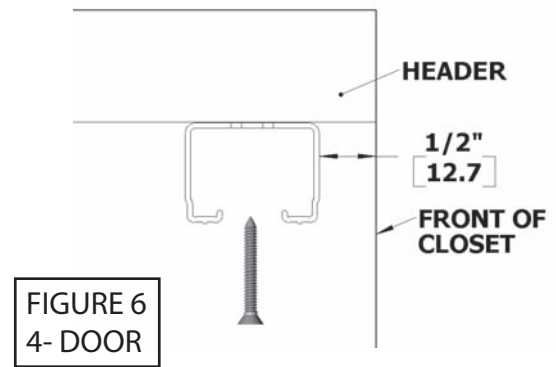
Door Layout (4-Door Set)

FIGURE 1
4-DOOR



Step 2- Mount Track

Mount Track to header as shown below. From side to side, center the Track in the opening. Use 5EA (max) Long Screws to mount each track. The Upper Pivot should be on the pivoting side of the opening.



Step 3- Mount Hinges

Lay Panels side by side on a flat, clean surface as shown in Figure 7. Push the Panels together and mount hinges in pre-drilled pilot holes. Mount Top/Bottom Hinge as shown in Figure 8. Mount Center Hinge at center of door as shown in Figure 9.

Note: Only use screws as shown in figures below and use only pre-drilled pilot holes.

FIGURE 7
Lay Panels Flat

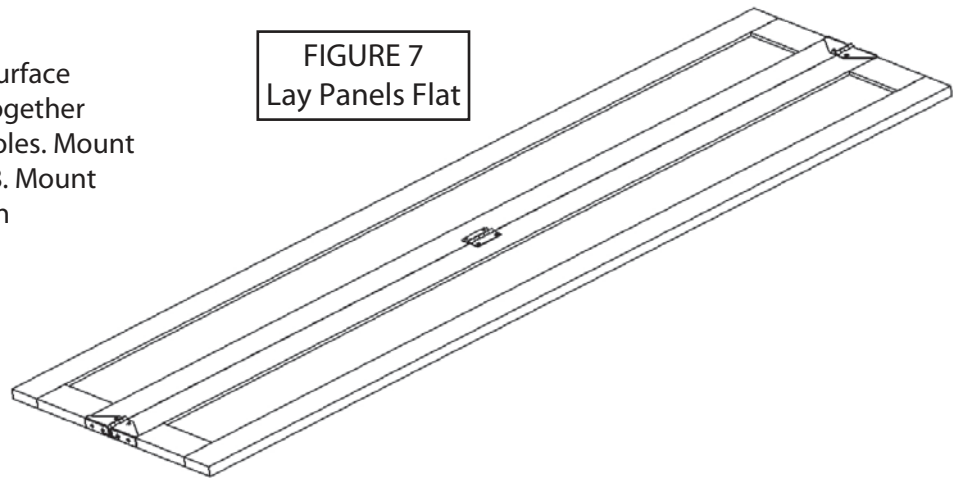


FIGURE 8
Attach Top/Bottom Hinges

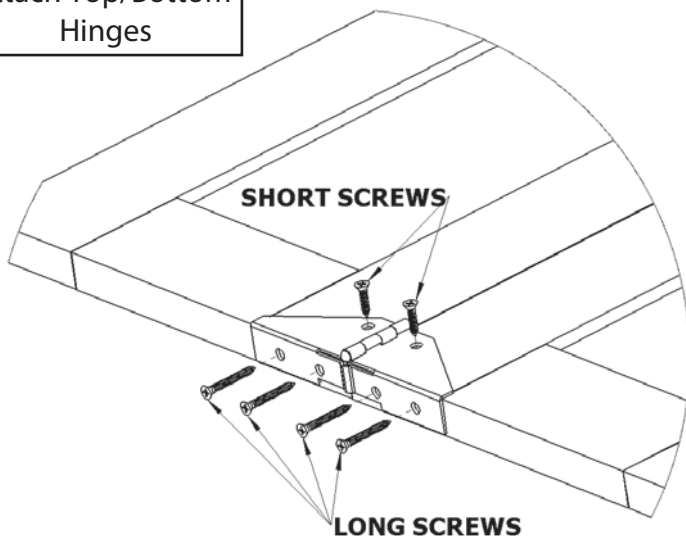
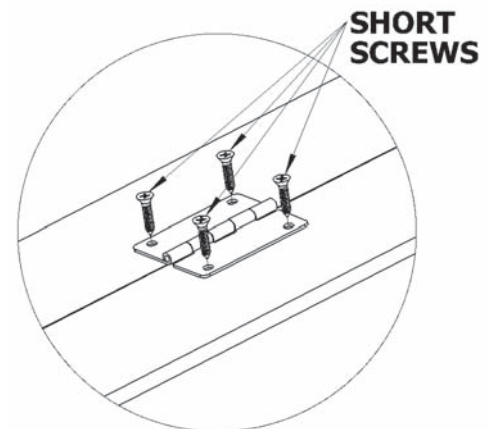


FIGURE 9
Attach Center Hinge



Step 4- Fasten Mount Plates

Fasten Mount Plates as shown below. Mount plates according to the direction of door swing; right swing or left swing as shown in Figures 10 & 11 below. It may be helpful to mark the mount plate holes with a pencil and using a 3/32" drill bit, drill a 1 1/8" deep pilot hole before inserting screws. Note: Make sure the nylon locking arm is on the back of the door.

FIGURE 10 - Right Swing

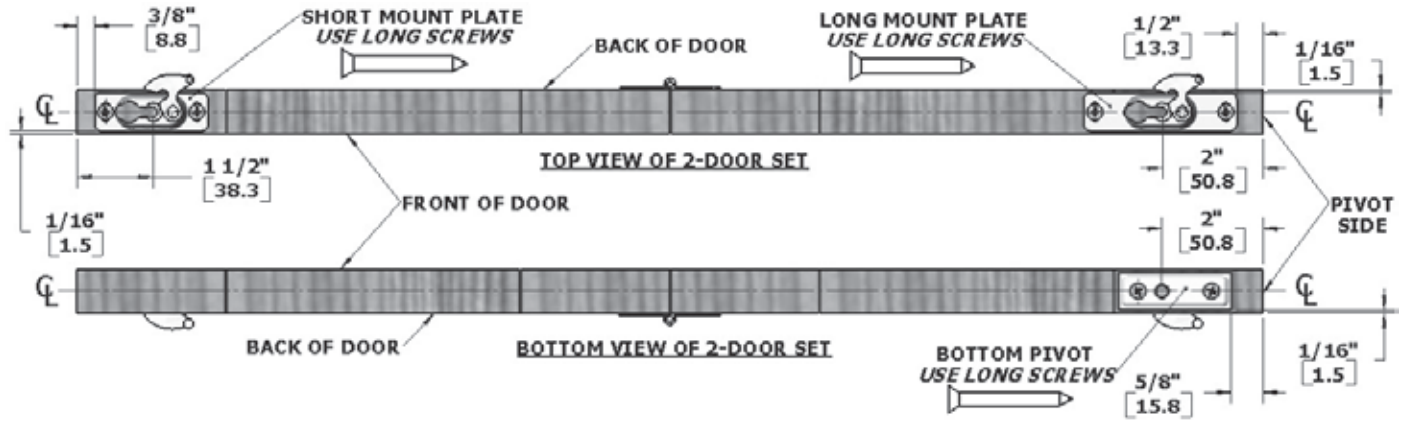
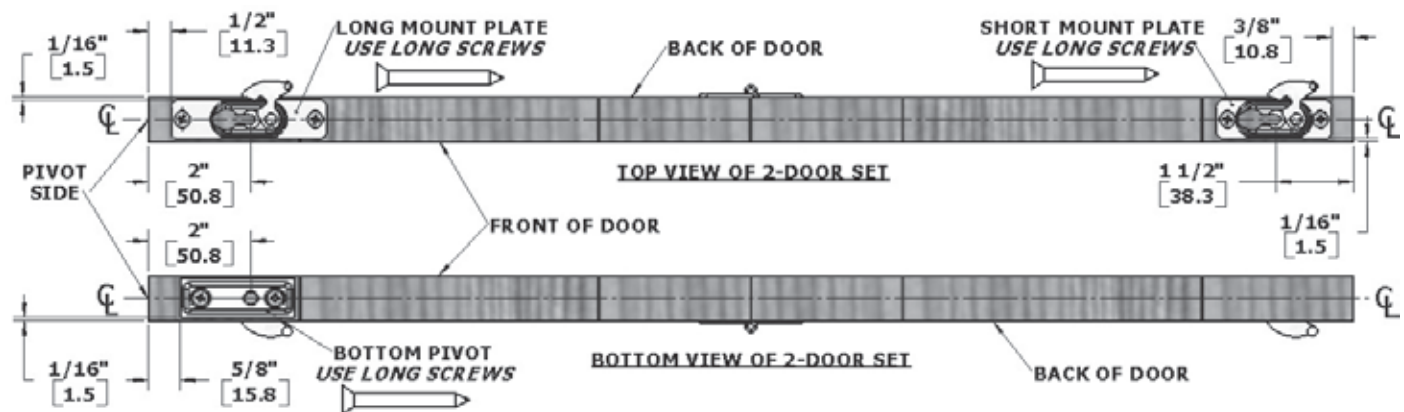


FIGURE 11 - Left Swing



Step 5- Hang Doors by Inserting Bolts into Mount Plates

First insert the bolt in the Upper Pivot into the Long Mount Plate and lock into place by rotating the nylon arm as shown in Figures 12 & 13. Next, insert the bolt in the roller into the Short Mount Plate and lock the nylon arm.

FIGURE 12
Bolts Into
Mount Plates

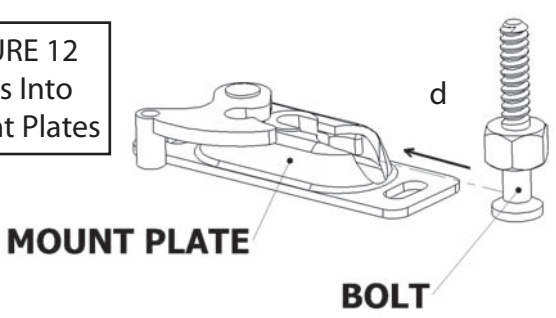
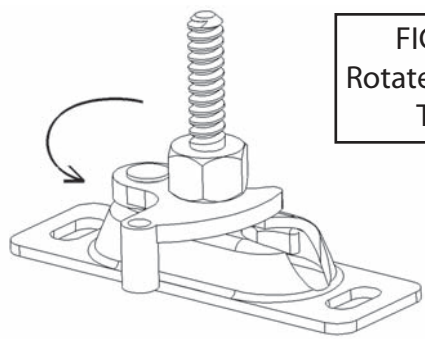
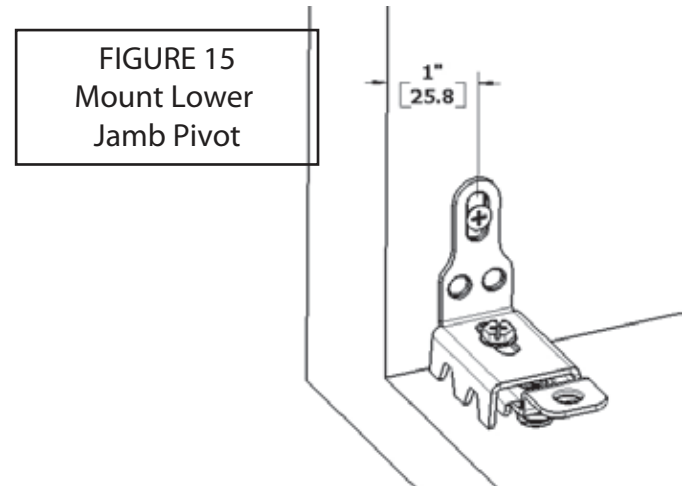
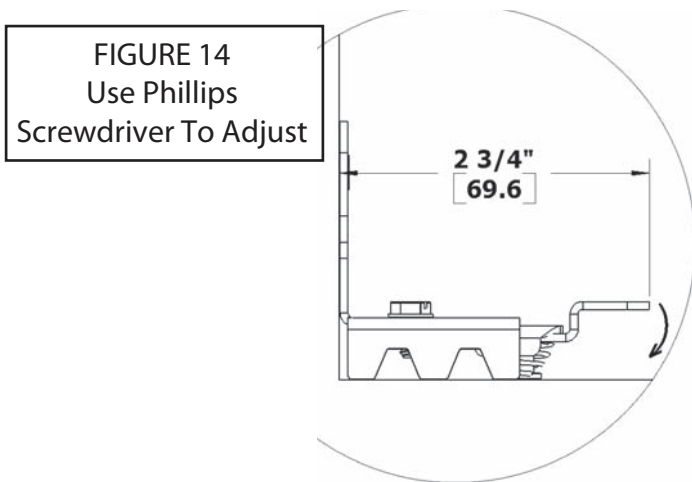


FIGURE 13
Rotate Nylon Arm
To Lock



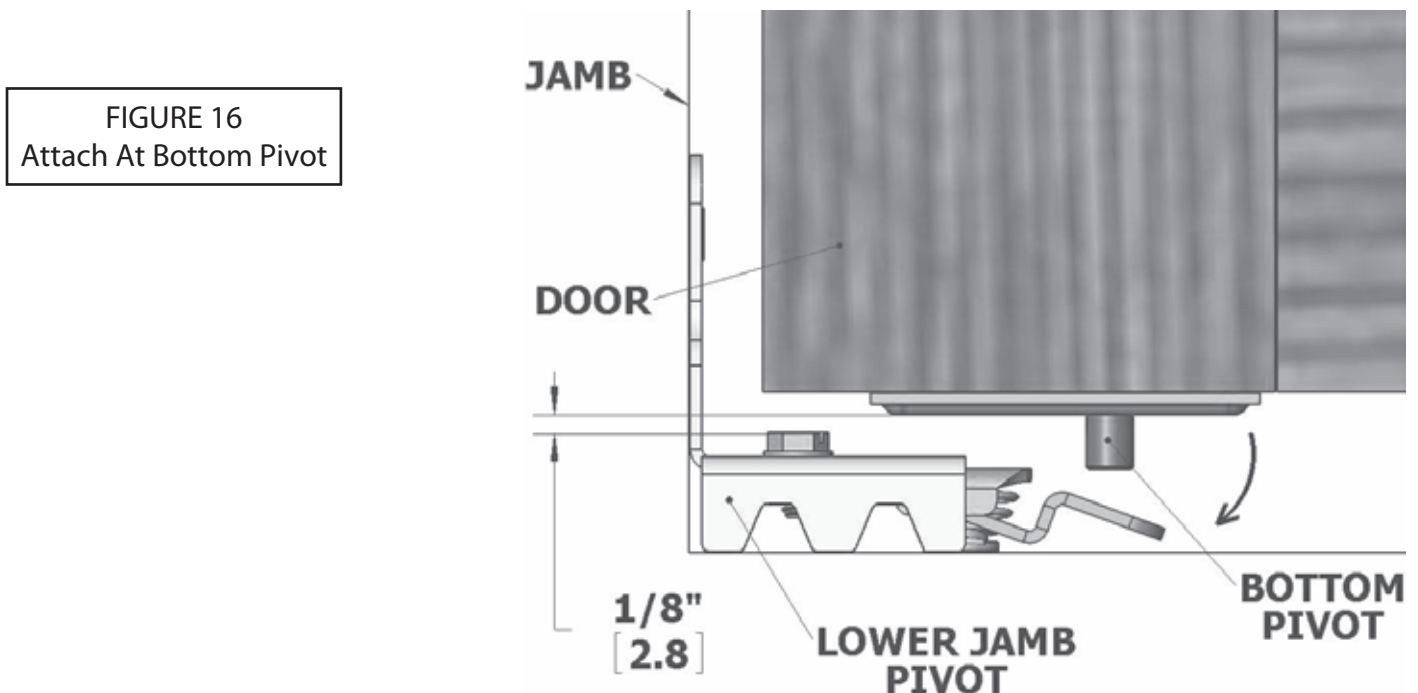
Step 6- Mount Lower Jamb Pivot

Use a Phillips screwdriver to adjust the Lower Jamb Pivot to the position shown in Figure 14. Mount the Lower Jamb Pivot by placing it directly under the Track on the pivot side as shown in Figures 14 & 15 below. Fasten with 1 EA Long Screw in the slot first to allow adjustment up and down to give clearance between Lower Jamb Pivot and the bottom of the door as shown in Figure 16. Add 2 EA Long Screws to the holes in the Lower Jamb Pivot once adjustments are final.



Step 7- Attach at Bottom Pivot

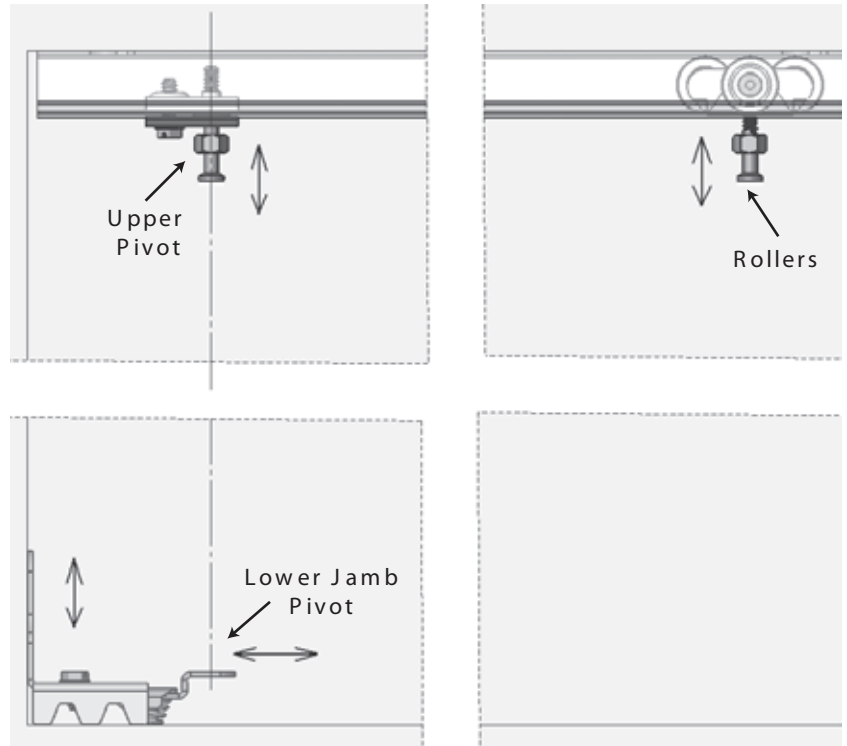
Attach the Bottom Pivot into the Lower Jamb Pivot as shown in Figure 16 below by depressing the spring-loaded tab on the lower jamb pivot and inserting the tab on the bottom pivot into the hole in the lower jamb pivot. Note: Make sure and leave $\frac{1}{8}$ " clearance between the top of the screw head and the bottom pivot for proper operation. (See Step 8, Check Operation, Make Adjustments to adjust clearance.)



Step 8- Check Operation, Make Adjustments

If necessary use the Wrench supplied to adjust the bolts in the Upper Pivot and Roller to assure the BiFold door set is hanging square in the opening. The Lower Jamb Pivot can be adjusted with a Phillips screwdriver. Arrows in Figure 17 below show directions of adjustments.

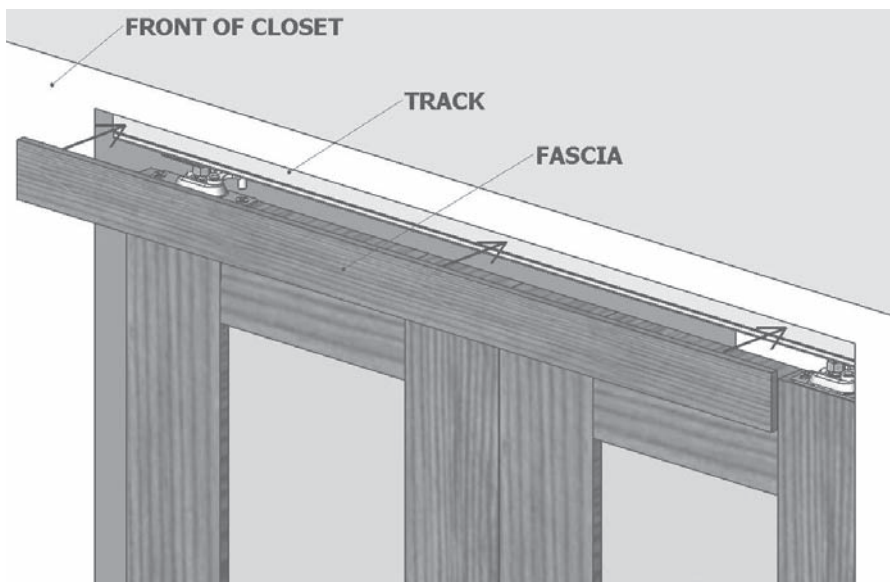
FIGURE 17
Areas of
Adjustment



Step 9- Attach Fascia (& Fascia Block for 4-Door Installs)

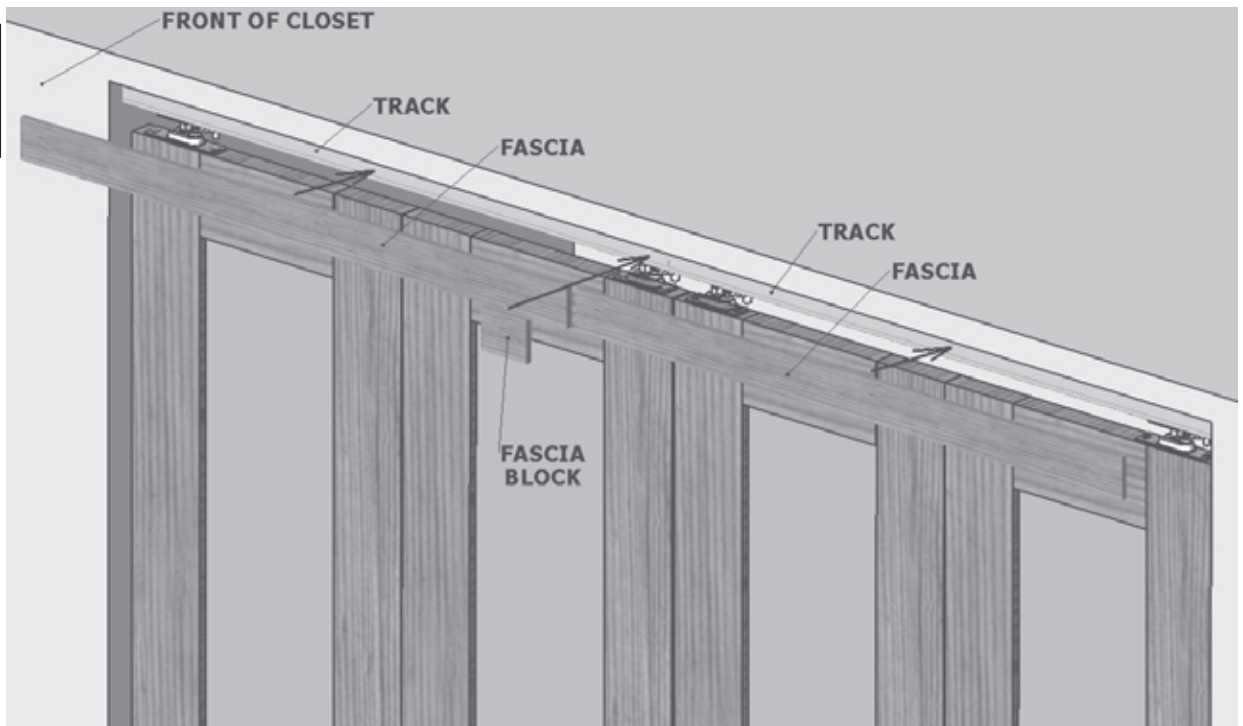
For 2-Door Installs: Attach Fascia to Track by removing the tape backing and pushing against track as shown in Figure 18. Cut Fascia to fit if necessary. (Cut with Fascia front up.)

FIGURE 18
Attach 2- Door
Fascia



For 4- Door Installs: Attach each Fascia to the upper corner of the Track by removing the tape backing and pushing against track as shown in Figure 19. Cut Fascia if necessary. (Cut with Fascia front up.) Place Fascia Block over the gap at the center of the opening.

FIGURE 19
Attach 4- Door
Fascia



Step 10- Attach The Pull

Attach the Pull to the inside stile of the non-pivoting door panel as shown in Figure 1. Drill a 3/16" (5mm) diameter hole 36" from the bottom of the door and 1 1/2" from the vertical edge of the stile as shown in Figure 1. Attach the Pull with the Machine Screw as shown in Figure 20 below. Note: It is best to drill from the front of the door to the back.

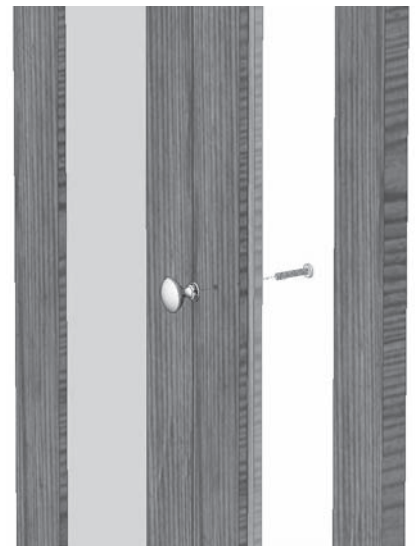
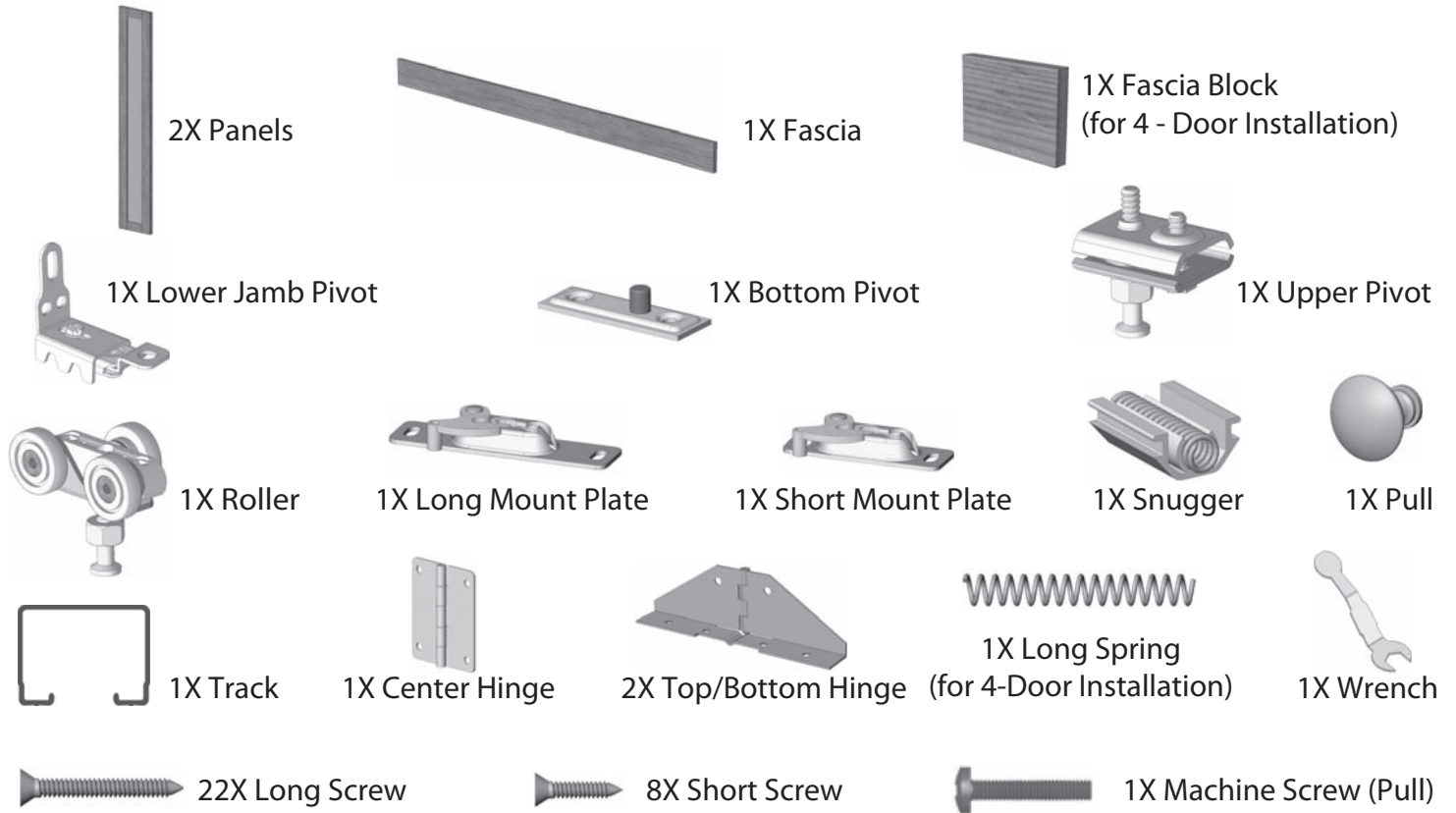


FIGURE 20
Attach Pull

Contents (2 Door Set)



Step 1- Prepare Track for Mounting

Insert components as shown in Figure 2 for 4-Door set or as in Figure 4 for 2-Door set. The Upper Pivot may need to be loosened in order to attach to the track. If so, loosen the screw with a Phillips screwdriver and if necessary loosen the bolt with the included wrench just enough to slide the Upper Pivot onto track. Tighten Upper Pivot with a Phillips screwdriver as shown in Figure 5.

For 4-Door set only, replace the Small Spring with the Long Spring in the Snugger as shown in Figure 2

Note: Insert parts before mounting track to header.

FIGURE 3
Side View

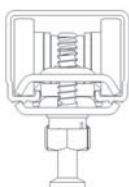


FIGURE 2
4- Door

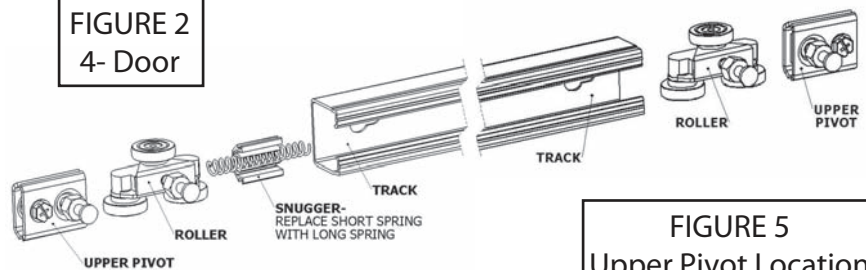


FIGURE 5
Upper Pivot Location

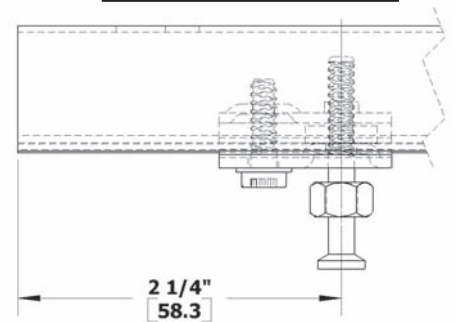


FIGURE 4
2- Door

