

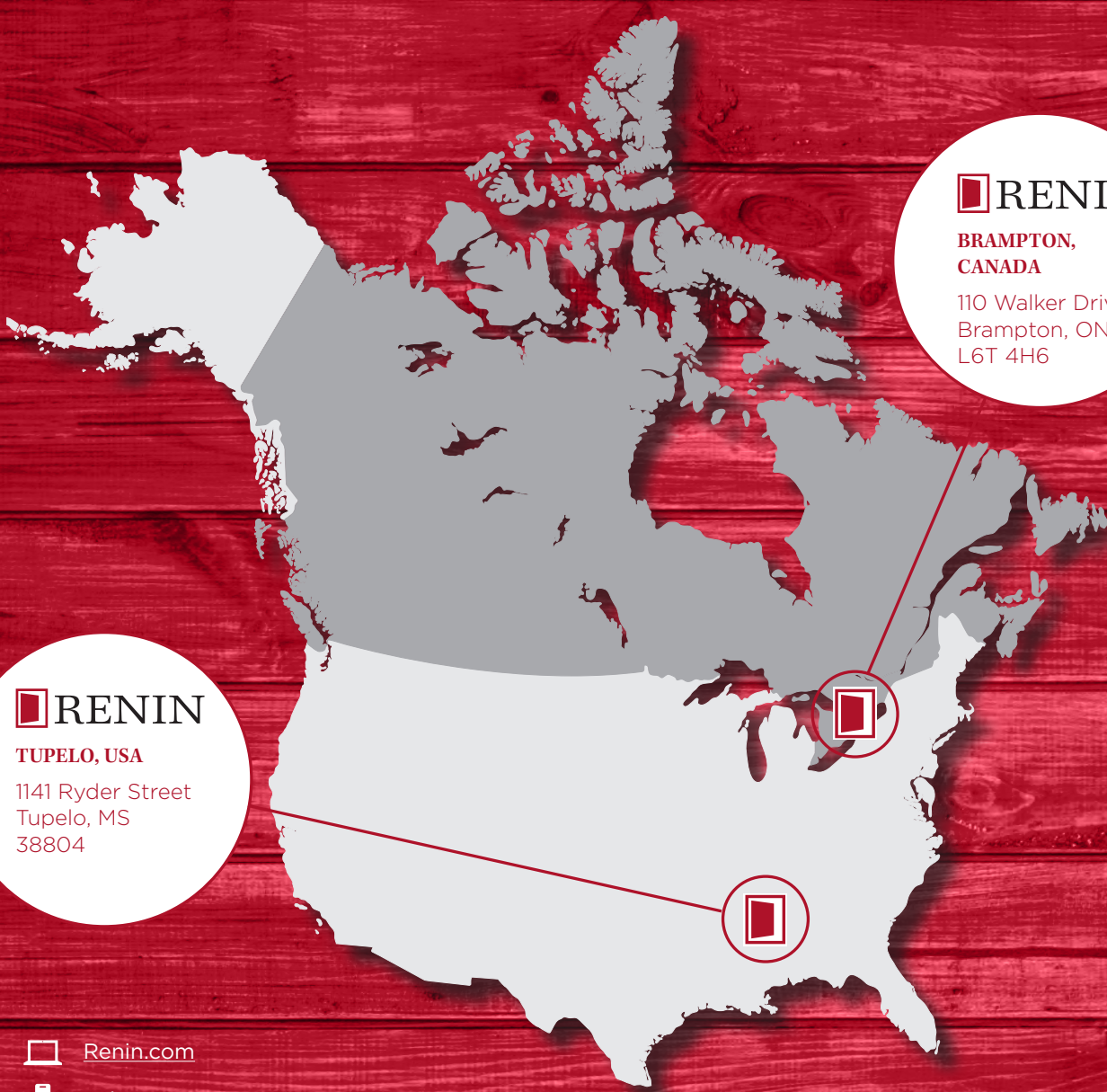
Inspired By Living



**NEW** INVISI**GLIDE**



# RENIN



## RENIN

**BRAMPTON,  
CANADA**

110 Walker Drive  
Brampton, ON  
L6T 4H6

## RENIN

**TUPELO, USA**

1141 Ryder Street  
Tupelo, MS  
38804

 [Renin.com](http://Renin.com)

 Sales: 1 (888) 752-0427

 Customer Service: 1 (800) 493-5263

 **RENIN**  
DOORS

 **RENIN**  
HARDWARE

 **RENIN**  
HOME DECOR

 **acme**<sup>®</sup>

CONTINENTAL

BARN

**BA  
RN**

COLLECTION



## CONTINENTAL BARN DOOR COLLECTION

Ever since Renin invented the sliding mirror closet door in the 1960s, our company has been leading the way for new and innovative door designs that bridge different styles together.

Barn doors can create a unique focal point in any interior space whether they are used as a room divider, a passage or a closet door.

Renin's Continental doors are inspired by the simplicity and functionality of Scandinavian design.

This contemporary door design features a frosted glass insert which allows natural light to enter into the room.

- For use with closets, as room dividers or passage doors
- Optimal for openings 28" - 34" for 36" wide doors, and 34" - 40" for 42" wide doors
- Ideal for any room or opening in your home or office
- Matte Black Hardware included
- Factory finished, ready to install
- Available door sizes:
  - 36" x 84" x 1 3/8"
  - 42" x 84" x 1 3/8" (Sussex)
- Doors cannot be cut

### CONTINENTAL COLLECTION BARN DOOR KITS

| MODEL | NAME        | FINISH       | SIZE  | DESCRIPTION  | PAGE |   |
|-------|-------------|--------------|---|--|------|---|
| BD054 | Cristo      | Iron Age     | 36"   | 1-Lite Barn Door Kit With 78 3/4" Matte Black Bent Strap Hardware        | 4    |   |
| BD061 | Hall        | Bright White |   | 36"  |      | 3-Lite Barn Door Kit With 78 3/4" Matte Black Bent Strap Hardware |
|       |             | Espresso     |   |  |      |   |
|       |             | Iron Age     |   |  |      |   |
| BD062 | Pavilion    | Iron Age     |   | 5-Lite Barn Door Kit With 78 3/4" Matte Black Bent Strap Hardware        |      |   |
| BD064 | Dunmore     | Bright White |   | K-Lite Barn Door Kit With 78 3/4" Matte Black Bent Strap Hardware        |      |   |
| BD132 | Sorrento    | Black        | 6-Lite Barn Door Kit With 78 3/4" Matte Black Bent Strap Hardware |  |      |   |
| BD063 | Sussex      | Silver Oak   | 42"   | 4-Lite Barn Door Kit With 83 1/8" Matte Black Bent Strap Hardware        | 6    |   |
| BD130 | Metal Works | Black        | 36"   | 3-Metal Panel Barn Door Kit With 78 3/4" Matte Black Bent Strap Hardware |      |   |

[Renin.com](http://Renin.com)

Sales: 1 (888) 752-0427

Customer Service: 1 (800) 493-5263



36"  
x  
84"

**BD054 / CRISTO / 1-LITE**  
**DECOR FINISH**

Iron Age 

**PRODUCT NUMBER**

BD054W01A1TGE36084

**SURFACE**

Smooth Wood Grain Look



36"  
x  
84"

**BD061 / HALL / 3-LITE**  
**DECOR FINISH**

Bright White 

**PRODUCT NUMBER**

BD061W01BW3TGE36084

**SURFACE**

Textured Wood Grain Painted Look



36"  
x  
84"

**BD061 / HALL / 3-LITE**  
**DECOR FINISH**

Espresso 

**PRODUCT NUMBER**

BD061W01ES3TGE36084

**SURFACE**

Smooth Wood Grain Look



36"  
x  
84"

**BD061 / HALL / 3-LITE**  
**DECOR FINISH**

Iron Age 

**PRODUCT NUMBER**

BD061W01A3TGE36084

**SURFACE**

Smooth Wood Grain Look



36"  
x  
84"

**BD062 / PAVILION / 5-LITE**  
**DECOR FINISH**

Iron Age 

**PRODUCT NUMBER**

BD062W01A5TGE36084

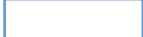
**SURFACE**

Smooth Wood Grain Look



36"  
x  
84"

**BD062 / PAVILION / 5-LITE**  
**DECOR FINISH**

Bright White 

**PRODUCT NUMBER**

BD062W01BW5TGE36084

**SURFACE**

Textured Wood Grain Painted Look

# CONTINENTAL COMPLETE BARN DOOR KIT



1X STANDARD BACKER BOARD

1X STANDARD (36" BD) 78 3/4" TRACK

BD5000-07800-MB



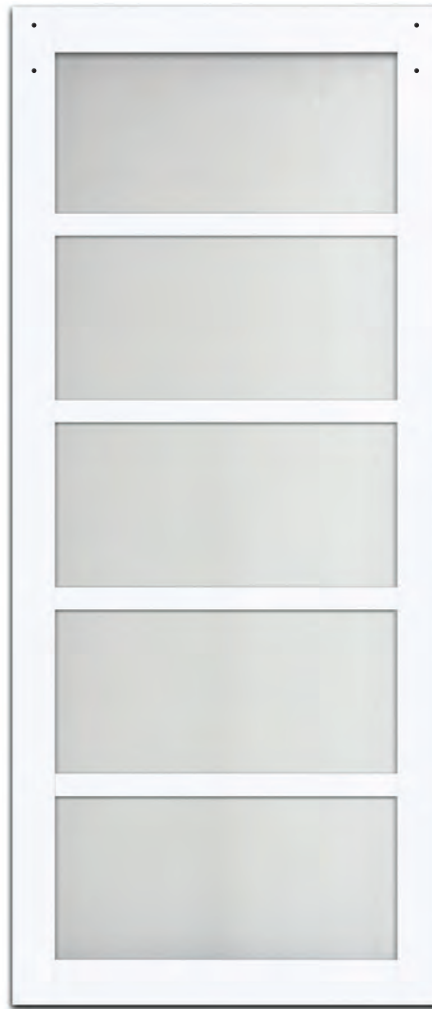
2x

BENT STRAPS BD552-MB



1x

HANDLE BD450-MB



1X - BARN DOOR SLAB 36" x 84" x 1-3/8"



5x

WALL SPACERS

BD350-MB



2x

ANTI-JUMP BLOCKS

BD790



1x each

Style may differ

TRACK END STOPS

BD180-MB-L BD180-MB-R



1x

FLOOR GUIDE

BD750



1x

Color may differ

WALL MOUNTED GUIDE

HW99161



1x

Color may differ

FLOOR MOUNTED GUIDE

HW99161



5x

CONCRETE BOLTS

BD134-MB



5x

TRACK MOUNTING SCREWS

BD136-MB

- Ready to install with pre-drilled mounting holes, bottom groove guide and backer board (optional)
- Trackless door design keeps floor opening clear and hazard-free
- Complete kit to create and hang a barn door
- Durable and scratch resistant smooth finish
- No priming, painting or staining required
- Ideal for openings 28" - 34" wide
- Tempered Frosted Glass Finish

Barn Door  
Installation  
Instructions  
Video




Android users please refer to your owners manual

CONTINENTAL BARN KITS



36"  
x  
84"

**BD064 / DUNMORE / K-LITE**  
**DECOR FINISH**

Iron Age 

**PRODUCT NUMBER**

BD064W01IA1TGE36084

**SURFACE**

Smooth Wood Grain Look



83 1/8" TRACK

42"  
x  
84"

**BD063 / SUSSEX / 3-LITE**  
**DECOR FINISH**

Silver Oak 

**PRODUCT NUMBER**

BD063W01SV1SVE42084

**SURFACE**

Smooth Wood Grain Look



36"  
x  
84"

**BD130 / METAL WORKS**  
**DECOR FINISH**

Matte Black 

**PRODUCT NUMBER**

BD130W01MB1TNE36084

**SURFACE**

Smooth Wood Grain Painted Look

Barn Door  
Installation  
Instructions  
Video



*Android users please refer to your owners manual*



# CONTINENTAL COMPLETE BARN DOOR KIT



1 X STANDARD BACKER BOARD AVAILABLE\*

1 X STANDARD (36" BD) 78 3/4" TRACK AVAILABLE\*

BD5000-07800-MB



2 x

**BENT STRAPS** BD552-MB



1 x

**HANDLE** BD450-MB



**1 X - BARN DOOR SLAB** 36" x 84" x 1-3/8"



5 X (78 3/4")\*  
6 X (83 7/8")

**WALL SPACERS**

BD350-MB



2 x

**ANTI-JUMP BLOCKS**

BD790



1 x  
each

*Style may differ*

**TRACK END STOPS**

BD180-MB-L | BD180-MB-R



1 x

**FLOOR GUIDE**

BD750



1 x

*Color may differ*

**WALL MOUNTED GUIDE**

HW99161



1 x

*Color may differ*

**FLOOR MOUNTED GUIDE**

HW99161



5 X (78 3/4")\*  
6 X (83 7/8")

**CONCRETE BOLTS**

BD134-MB



5 X (78 3/4")\*  
6 X (83 7/8")

**TRACK MOUNTING SCREWS**

BD136-MB

- Ready to install with pre-drilled mounting holes, bottom groove guide and backer board (optional)
- Trackless door design keeps floor opening clear and hazard-free
- Complete kit to create and hang a barn door
- Durable and scratch resistant smooth finish
- No priming, painting or staining required
- Ideal for openings 28" - 34" wide (34" - 40" wide on Sussex Door)
- No custom sizes

\* For 36" Barn Doors

# BROWNSTONE

BARN

**BA  
RN**

# COLLECTION



## BROWNSTONE BARN DOOR COLLECTION

Subtle design features including knots and fine grain detail, Renin's Brownstone collection's deco wood detail is an ideal alternative to traditional barn doors. The easy to maintain and ultra stable engineered wood core is meticulously wrapped in an easy to clean surface.

Brownstone is a modern interpretation of traditional wood barn doors.

- For use with closets, as room dividers or passage doors
- Optimal for openings 28" - 34" for double 18" wide doors, 36" wide doors, and 34" - 40" for 42" wide doors
- Ideal for any room or opening in your home or office
- Matte Black Hardware included
- Factory finished, ready to install
- Available door sizes:
  - 36" x 84" x 1 3/8"
  - 42" x 84" x 1 3/8" (Stone Off-White)
- Doors cannot be cut

### BROWNSTONE COLLECTION BARN DOORS WITH KITS

| MODEL | NAME    | FINISH                 | SIZE | DESCRIPTION   | PAGE |
|-------|---------|------------------------|------|---|------|
| BD053 | Cheval  | Iron Age               | 36"  | Z Barn Door Kit With 78 3/4" Matte Black Bent Strap Hardware              | 10   |
| BD060 | Sagrada | Cherry<br>Gunstock Oak |      | Double X Barn Door Kit With 78 3/4" Matte Black Bent Strap Hardware       |      |
| BD052 | Stone   | Sandstone              | 36"  | K Barn Door Kit With 78 3/4" Matte Black Bent Strap Hardware              | 12   |
|       |         | Silver Oak             |      | K Barn Door Kit With 78 3/4" Matte Black Bent Strap Hardware & Soft Close |      |
|       |         | Off White              | 36"  | K Barn Door Kit With 78 3/4" Matte Black Bent Strap Hardware              |      |
|       |         |                        | 42"  | K Barn Door Kit With 78 3/4" Matte Black Bent Strap Hardware & Soft Close |      |
|       |         | Iron Age               | 36"  | K Barn Door Kit With 83 1/8" Matte Black Bent Strap Hardware & Soft Close |      |

### EASY-BUILD COMPLETE BARN DOOR KIT

| MODEL | NAME                          | FINISH                   | SIZE | DESCRIPTION  | PAGE |
|-------|-------------------------------|--------------------------|------|--|------|
| BD069 | Easy-Build - Knock-down Doors | Bright White<br>Iron Age | 36"  | Build yourself a Knock-down Barn Door with Matte Black Bent Strap Hardware | 14   |

[Renin.com](http://Renin.com)

Sales: 1 (888) 752-0427

Customer Service: 1 (800) 493-5263



36"  
x  
84"

**BD053 / CHEVAL / Z DESIGN**  
**DECOR FINISH**

Iron Age



**PRODUCT NUMBER**

BD053W01IA1IAE36084

**SURFACE**

Smooth Wood Grain Look



36"  
x  
84"

**BD060 / SAGRADA / DOUBLE X**  
**DECOR FINISH**

Cherry



**PRODUCT NUMBER**

BD060W01CH1CHE36084

**SURFACE**

Smooth Wood Grain Painted Look



36"  
x  
84"

**BD060 / SAGRADA / DOUBLE X**  
**DECOR FINISH**

Gunstock Oak



**PRODUCT NUMBER**

BD060W01GO1GOE36084

**SURFACE**

Textured Wood Grain Look

Barn Door  
Installation  
Instructions  
Video



*Android users please refer  
to your owners manual*

## BROWNSTONE COMPLETE BARN DOOR KIT



1 X STANDARD BACKER BOARD

1 X STANDARD (36" BD) 78 3/4" TRACK

BD5000-07800-MB



2 x

BENT STRAPS BD552-MB



1 x

HANDLE BD450-MB



1 X - BARN DOOR SLAB 36" x 84" x 1-3/8"



5 x

WALL SPACERS

BD350-MB



2 x

ANTI-JUMP BLOCKS

BD790



1 x each

TRACK END STOPS

BD180-MB-L BD180-MB-R



1 x

FLOOR GUIDE

BD750



1 x

Color may differ

WALL MOUNTED GUIDE

HW99161



1 x

Color may differ

FLOOR MOUNTED GUIDE

HW99161



5 x

CONCRETE BOLTS

BD134-MB



5 x

TRACK MOUNTING SCREWS

BD136-MB

- Ready to install with pre-drilled mounting holes, bottom groove guide and backer board (optional)
- Trackless door design keeps floor opening clear and hazard-free
- Complete kit to create and hang a barn door
- Durable and scratch resistant smooth finish
- No priming, painting or staining required
- Ideal for openings 28" - 34" wide

BARN KITS

BROWNSTONE K DESIGN



36" x 84"

**BD052 / STONE / K DESIGN**  
**DECOR FINISH**

Sandstone 

**PRODUCT NUMBER**

BD052W01SO1SOE36084

**SURFACE**

Smooth Wood Grain Painted Look



36" x 84"

**BD052 / STONE / K DESIGN**  
**DECOR FINISH**

Iron Age 

**PRODUCT NUMBER**

BD052W01IA1IAE36084

**SURFACE**

Smooth Wood Grain Look



**SOFT CLOSE**

36" x 84"



**BD052 / STONE / K DESIGN**  
**DECOR FINISH**

Silver Oak 

**PRODUCT NUMBER**

BD052C01GR1GRE36084

**SURFACE**

Textured Wood Grain Look



**42" & 36" - SOFT CLOSE**

42" x 84"

36" x 84"



**BD052 / STONE / K DESIGN**  
**DECOR FINISH**

Off-White 

**STANDARD DOOR**

**PRODUCT NUMBER**

36" | BD052W01WT1WTE36084

**WITH SOFT CLOSE**

**PRODUCT NUMBER**

36" | BD052C01WT1WTE36084

42" | BD052C01WT1WTE42084

**SURFACE**

Smooth Painted Look

Barn Door  
Installation  
Instructions  
Video



Android users please refer to your owners manual

Barn Door  
With Soft Close  
Installation  
Instructions



Android users please refer to your owners manual

# BROWNSTONE K DESIGN COMPLETE BARN DOOR KIT

|   |   |                 |
|---|---|-----------------|
| <b>1 X STANDARD (IRON AGE SHOWN ▲) BACKER BOARD</b> | <b>1 X STANDARD (36" BD) 78 3/4" TRACK</b>    | BD5000-07800-MB |
| <b>1 X WIDE BACKER BOARD AVAILABLE*</b>             | <b>1 X WIDE (42" BD) 96" TRACK AVAILABLE*</b> | BD5000-09600-MB |



2 x

**BENT STRAPS** BD552-MB



1 x

**HANDLE** BD450-MB



**1 X - BARN DOOR SLAB** 36" x 84" x 1-3/8"



5 X (78 3/4")  
6 X (96")\*

**WALL SPACERS**

BD350-MB



2 x

**ANTI-JUMP BLOCKS**

BD790



1 x  
each

*Style may differ*

**TRACK END STOPS**

BD180-MB-L | BD180-MB-R



1 x

**FLOOR GUIDE**

BD750



1 x

*Color may differ*

**WALL MOUNTED GUIDE**

HW99161



1 x

*Color may differ*

**FLOOR MOUNTED GUIDE**

HW99161



5 X (78 3/4")  
6 X (96")\*

**CONCRETE BOLTS**

BD134-MB



5 X (78 3/4")  
6 X (96")\*

**TRACK MOUNTING SCREWS**

BD136-MB

- Ready to install with pre-drilled mounting holes, bottom groove guide and backer board (optional)
- Trackless door design keeps floor opening clear and hazard-free
- Complete kit to create and hang a barn door
- Durable and scratch resistant smooth finish
- No priming, painting or staining required
- Ideal for openings 28" - 34" wide (34" - 38" on 42" wide doors)
- **INCLUDES:** Easy Glide Soft Close Mechanism on select doors

\* For 42" Barn Doors

## AVAILABLE ON SELECT DOORS

|                             |                |   |
|-----------------------------|----------------|---|
|                             |                | <p><b>INCLUDES:</b><br/>Easy Glide Soft Close Mechanism</p> |
| <b>SOFT CLOSE MECHANISM</b> | <b>TRIGGER</b> |   |
| <b>PREFINISHED DOORS</b>    | BD60M          | BD57T   |
| <b>PINE DOORS</b>           | BD57M          |   |

**NEW** EASY-BUILD COMPLETE BARN DOOR KIT

NEW BARN

EASY-BUILD COMPLETE BARN DOOR KIT



**NEW**

**BD069 / EASY-BUILD**

**DECOR FINISH**

Bright White



**PRODUCT NUMBER**

BD069W01BW1BWE36084

**SURFACE**

Textured Wood Grain Painted Look



**NEW**

**BD069 / EASY-BUILD**

**DECOR FINISH**

Iron Age



**PRODUCT NUMBER**

BD069W01IA1IAE36084

**SURFACE**

Smooth Wood Grain Look



Easy-Build Barn Door Assembly Instructions

*Android users please refer to your owners manual*

Barn Door Installation Instructions Video

*Android users please refer to your owners manual*

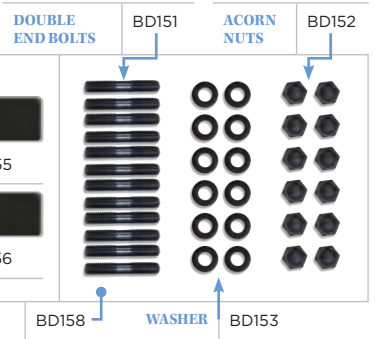
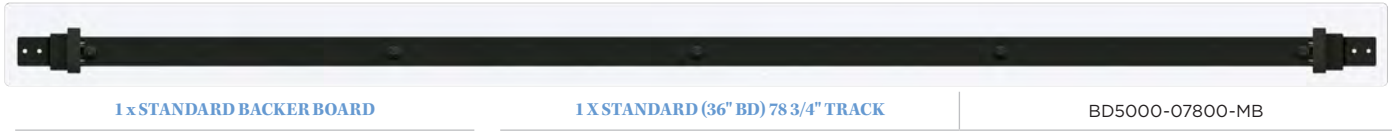
- Easy to bring home - compact box fits in most vehicles
- Easy to assemble - only a few simple steps to build your own door
- Easy to install - complete kit to transform a closet or doorway
- Easy on the eye - the hottest home design trend everyone is talking about



**NEW** EASY-BUILD COMPLETE BARN DOOR KIT

NEW BARN

EASY-BUILD COMPLETE BARN DOOR KIT



HERITAGE

BARN

**BA  
RN**

COLLECTION



## HERITAGE BARN DOOR COLLECTION

Celebrate the character of natural wood with Renin's Heritage collection. Our Heritage collection is available in finished and unfinished doors that accentuates the natural variation in the wood grain, or are hand stained by our professional artisans creating a truly original one of a kind design.

- For use with closets, as room dividers or passage doors
- Ideal for any room or opening in your home or office
- Optimal for openings 28" - 34" for 36" wide doors, and 34" - 40" for 42" wide doors
- Matte Black Hardware included
- Pre-stained or Unfinished Ready to Paint or Stain
- Available door sizes:       36" x 84" x 1 3/8"  
  42" x 84" x 1 3/8"
- Doors cannot be cut

BARN  
HERITAGE

### HERITAGE COLLECTION BARN DOORS WITH KITS

| MODEL | NAME        | FINISH                      | SIZE | DESCRIPTION   | PAGE |
|-------|-------------|-----------------------------|------|---|------|
| BD059 | Herringbone | Satin Nickel Gray Stain     | 36"  | Chevron Barn Door Kit With 78 3/4" Matte Black Bent Strap Hardware & Soft Close                       | 18   |
| BD055 | Authentic   | Iron Age                    |      | Cross Brace Barn Door Kit With 78 3/4" Matte Black Bent Strap Hardware & Soft Close                   |      |
| BD053 | Salinas     | Pine (Ready to Paint/Stain) | 36"  | Z Barn Door Kit With 78 3/4" (83 1/8" track on 42" door) Matte Black Bent Strap Hardware & Soft Close |      |
| BD057 |             |                             | 42"  | Z Barn Door Kit With 78 3/4" Matte Black Bent Strap Hardware  |      |
| BD053 |             |                             | 36"  | Z Barn Door Kit With 78 3/4" Matte Black Bent Strap Hardware  |      |
| BD058 | Gladstone   | Coffee Bean Stain           | 36"  | Angled Plank Barn Door Kit With 78 3/4" Matte Black Bent Strap Hardware & Soft Close                  |      |
| BD052 | Sierra      | Pine (Ready to Paint/Stain) |      | K Barn Door Kit With 78 3/4" Matte Black Bent Strap Hardware  |      |

### **NEW** FLAIR COLLECTION BARN DOOR WITH KITS

| MODEL | NAME  | FINISH                      | SIZE | DESCRIPTION   | PAGE |
|-------|-------|-----------------------------|------|---|------|
| BD133 | Flair | Pine (Ready to Paint/Stain) | 36"  | Barn Door Kit With 78 3/4" Matte Black Bent Arrow Strap Hardware & Soft Close | 20   |

[Renin.com](http://Renin.com)

Sales: 1 (888) 752-0427


Customer Service: 1 (800) 493-5263



**SOFT CLOSE**

**BD061 / HERRINGBONE**

**DECOR FINISH**

Satin Nickel Gray Stain 

**PRODUCT NUMBER**

BD059C01NSINSE36084

**SURFACE**

Stained Wood Grain



**SOFT CLOSE**

1 1/8" THICK DOOR

**BD055 / AUTHENTIC**

**DECOR FINISH**

Sandstone 

**PRODUCT NUMBER**

BD055C01ST1STE36084

**SURFACE**

Stained Wood Grain



**42" & 36" - SOFT CLOSE**

**BD057 / SALINAS**

**DECOR FINISH**

Pine (Ready to Paint/Stain) 

**NO SOFT CLOSE**

**PRODUCT NUMBER**

36" | BD053B01PN1PNE36084

**WITH SOFT CLOSE**

**PRODUCT NUMBER**

36" | BD053P03PN1PNE36084

42" | BD057P01PN1PNE42084

**SURFACE**

Natural Wood Grain



**SOFT CLOSE**

**BD058 / GLADSTONE**

**DECOR FINISH**

Coffee Bean Stain 

**PRODUCT NUMBER**

BD058C01GS1GSE36084

**SURFACE**


Stained Wood Grain



**SOFT CLOSE**

**BD052 / SIERRA**

**DECOR FINISH**

Pine (Ready to Paint/Stain) 

**PRODUCT NUMBER**

BD052B01PN1PNE36084

**SURFACE**

Natural Wood Grain

Barn Door Installation Instructions Video



*Android users please refer to your owners manual*

Barn Door With Soft Close Installation Instructions



*Android users please refer to your owners manual*

\* For 42" Barn Doors

# HERITAGE COMPLETE BARN DOOR KIT

|   |   |                                    |
|---|---|------------------------------------|
| 1 X STANDARD (HERRINGBONE SHOWN ▲) BACKER BOARD<br>1 X WIDE BACKER BOARD AVAILABLE* | 1 X STANDARD (36" BD) 78 3/4" TRACK<br>1 X WIDE (42" BD) 96" TRACK AVAILABLE* | BD5000-07800-MB<br>BD5000-09600-MB |
|---|---|------------------------------------|



**BENT STRAPS** BD552-MB



**HANDLE** BD450-MB



**1 X - BARN DOOR SLAB** 36" x 84" x 1-3/8"



**WALL SPACERS**  
BD350-MB



**ANTI-JUMP BLOCKS**  
BD790



**TRACK END STOPS**  
BD180-MB-L | BD180-MB-R



**FLOOR GUIDE**  
BD750



**WALL MOUNTED GUIDE**  
HW99161



**FLOOR MOUNTED GUIDE**  
HW99161



**CONCRETE BOLTS**  
BD134-MB



**TRACK MOUNTING SCREWS**  
BD136-MB

- Ready to install with pre-drilled mounting holes, bottom groove guide and backer board
- Trackless door design keeps floor opening clear and hazard-free
- Complete kit to create and hang a barn door
- Durable and scratch resistant smooth finish
- No priming, painting or staining required (Pine Requires Stain)
- Ideal for openings 28" - 34" wide (34" - 38" on 42" Salinas Doors)
- **INCLUDES:** Easy Glide Soft Close Mechanism on select doors

## AVAILABLE ON SELECT DOORS

|   |                |
|---|----------------|
| <p><b>INCLUDES:</b><br/>Easy Glide Soft Close Mechanism</p> |                |
| <b>SOFT CLOSE MECHANISM</b>                                 | <b>TRIGGER</b> |
| <b>PREFINISHED DOORS</b>                                    | BD60M          |
| <b>PINE DOORS</b>   | BD57M          |
|   | BD57T          |


**NEW** FLAIR COMPLETE BARN DOOR KIT

NEW  
BARN

FLAIR COMPLETE BARN DOOR KIT



**NEW**

|                             |   |
|-----------------------------|---|
| <b>BD133 / FLAIR</b>        |   |
| <b>DECOR FINISH</b>         |   |
| Pine (Ready to Paint/Stain) |  |
| <b>PRODUCT NUMBER</b>       |   |
| BD133B10PN1PNE36084         |   |
| <b>SURFACE</b>              |   |
| Natural Wood Grain          |   |

Barn Door  
Installation  
Instructions  
Video



Android users please refer  
to your owners manual

36"  
x  
84"

Matte Black Bent Strap Hardware Kit Shown.

**NEW** FLAIR COMPLETE BARN DOOR KIT

NEW BARN

FLAIR COMPLETE BARN DOOR KIT



1X STANDARD BACKER BOARD

1X STANDARD (36" BD) 78 3/4" TRACK

BD5000-07800-MB



2x

ARROW STRAPS



1X - BARN DOOR SLAB

36" x 84" x 1"



1x

HANDLE | BD450-MB



5x

WALL SPACERS

BD350-MB



2x

ANTI-JUMP BLOCKS

BD790



1x each

Style may differ

TRACK END STOPS

BD180-MB-L | BD180-MB-R



1x

FLOOR GUIDE

BD750



1x

Color may differ

WALL MOUNTED GUIDE

HW99161



1x

Color may differ

FLOOR MOUNTED GUIDE

HW99161



5x

CONCRETE BOLTS

BD134-MB



5x

TRACK MOUNTING SCREWS

BD136-MB

- Barn Door Kit includes: Matte Black Hardware, Track, Handle, Matching Backer Board & Barn Door
- Trackless door design keeps floor opening clear and hazard-free
- Ready-to-assemble, pre-drilled mounting holes and bottom-groove guide
- Ideal for openings 28" - 34" wide
- Actual Panel: 36" x 84" x 1"

# SLABS

BARN



**BARN**





## BARN DOOR SLABS

Renin's Barn Door Slabs are available in finished decor surfaces that accentuates the natural variation in the wood grain.

- For use with closets, as room dividers or passage doors
- Ideal for any room or opening in your home or office
- Available Slab sizes:       36" x 84" x 1 3/8"  
  42" x 84" x 1 3/8"
- Door Slabs cannot be cut

| BARN DOOR SLABS |             |              |             |      |
|-----------------|-------------|--------------|-------------|------|
| NAME            | SIZE        | FINISH       | DESCRIPTION | PAGE |
| Stone K         | 36" and 42" | Bright White | K Design    | 24   |
|                 |             | Silver Oak   | K Design    |      |

 [Renin.com](http://Renin.com)

 Sales: 1 (888) 752-0427

 Customer Service: 1 (800) 493-5263

## BARN DOOR SLABS



STONE K DESIGN

Bright White



STONE K DESIGN

Silver Oak

- Prefinished - Cannot be painted or stained
- Option of pre-drilled for use with face mounted bent or straight strap hardware or non drilled for top of door strap hardware
- Pre-routed bottom groove guide
- Individually packaged for easy & protected transportation
- Accessories sold separately

### DOORS WITH PRE-DRILLED HOLES PLUS DADO AT BOTTOM - FOR STRAIGHT AND BENT STRAP HARDWARE

| SIZES              | BRIGHT WHITE        | SILVER OAK          |
|--------------------|---------------------|---------------------|
| 36" x 84" x 1 3/8" | BD052W09BW1BWE36084 | BD052W09GY1GYE36084 |
| 42" x 84" x 1 3/8" | BD052W09BW1BWE42084 | BD052W09GY1GYE42084 |

### DOORS WITHOUT PRE-DRILLED HOLES WITH DADO AT BOTTOM - FOR TOP OF DOOR STRAP HARDWARE

| SIZES              | BRIGHT WHITE        | SILVER OAK          |
|--------------------|---------------------|---------------------|
| 36" x 84" x 1 3/8" | BD052W11BW1BWE36084 | BD052W11GY1GYE36084 |
| 42" x 84" x 1 3/8" | BD052W11BW1BWE42084 | BD052W11GY1GYE42084 |



BARN

# BARN DOOR

BARN

BARN

HARDWARE & KITS



## BARN DOOR HARDWARE & KITS

Adding the finishing touches to any renovation or decorating project can complete a homes look. Hardware plays an important role in enhancing the style of a space. With a multitude of choices available, factors to consider can include how well a particular style or finish complements the overall design theme and how the hardware will function within the space relative to other important decor items. Hardware is like adding jewelry to a room, the personality that makes the room reflect the home owners style and interests.

| ALLURE 80 LBS HARDWARE KIT |   |      |
|----------------------------|---|------|
| NAME                       | DESCRIPTION   | PAGE |
| Allure                     | Bent Strap 2-piece Track Barn Door Kit - Matte Black        | 28   |
|                            | Top Of Door Strap 2-piece Track Barn Door Kit - Gray Finish |      |

| CADIUM 150 LBS HARDWARE KIT |                                       |      |
|-----------------------------|---------------------------------------|------|
| NAME                        | DESCRIPTION                           | PAGE |
| Cadium                      | Bent Strap Barn Door Hardware Kit     | 30   |
|                             | Straight Strap Barn Door Hardware Kit | 31   |

| SPECTRUM BARN DOOR HARDWARE KITS |   |      |
|----------------------------------|---|------|
| NAME                             | DESCRIPTION                                       | PAGE |
| Spectrum                         | Matte Black Barn Door Hardware Kits And Parts     | 32   |
|                                  | Stainless Steel Barn Door Hardware Kits And Parts | 36   |
|                                  | Copper Barn Door Hardware Kit                     | 40   |
|                                  | Burnished Bronze Barn Door Hardware Kit           | 42   |

| BARN DOOR HARDWARE ACCESSORIES                          |      |
|---|------|
| DESCRIPTION   | PAGE |
| Biparting Track Joiner                                  | 44   |
| Bypass Barn Door Bracket Kit                            | 45   |
| Easy Clip Soft Close Hardware In Matte Black Finish Set | 46   |
| Barn Door Easy Latch Matte Black Hardware               | 48   |

[Renin.com](http://Renin.com)

Sales: 1 (888) 752-0427

Customer Service: 1 (800) 493-5263

**NEW** ALLURE BENT STRAP 2-PIECE TRACK BARN DOOR KIT

BENT STRAP IN MATTE BLACK



Door Slab sold separately.

The Allure Barn Door Hardware Kit helps complete your look with bent strap hanging hardware in a matte black finish. The two piece track, allows for a smaller package than traditional barn door hardware. The kit is suitable for doors weighing up to 80 lbs.

- Kit includes matte black bent strap hangers, two piece 78-3/4" track, dampers and hanging hardware for one barn door weighing up to 80lbs
- Matching acetal wheels with full metal sealed ball bearings provide excellent strength and durability and ensures a smooth and quiet glide action
- Left and right track stops include dampers to minimize door slamming and rattling
- Suitable for barn doors 1-3/8", 1-1/2" and 1-3/4" thick
- Matte black hardened steel factory finished, ready-to-install
- Handle sold separately

**NEW** ALLURE BENT STRAP 2-PIECE TRACK HARDWARE KIT



2-PIECE TRACK



ALLURE HARDWARE BAGSET

Matte Black Shown

NEW  
BARN  
ALLURE BENT STRAP

ALLURE BARN DOOR HARDWARE BAGSET KITS

| TRACK SIZE        | FINISH      | STRAP TYPE        | WEIGHT CAPACITY | PRODUCT NUMBER  |
|-------------------|-------------|-------------------|-----------------|-----------------|
| 78 3/4" (2000 mm) | Matte Black | Bent Strap        | 80 lbs          | BD107K-07812-MB |
|                   | Gray finish | Top Of Door Strap |                 | BD106K-07812-GY |

**NEW** CADIUM STRAIGHT STRAP BARN DOOR HARDWARE KIT

NEW  
BARN  
CADIUM BENT STRAP



CADIUM BENT STRAP

BD202K-MB

The Cadium Barn Door Hardware Kit in bent strap hanging hardware, allowing you to customize the look of your door.

- Kit includes 78 3/4 " or 96" hardened steel track, hangers and hardware for one barn door weight up to 150lbs
- Improved end stop eliminates hanging hardware location issues
- Wheels provide excellent strength and durability as well as smoothness of travel along the track
- Suitable for 1-3/8" thick doors weighing up to 150lbs (68 kg)
- Matte black hardened steel factory finished, ready-to-install
- Handle sold separately



78 3/4" TRACK

BD5001-07800-MB



Option  
96" TRACK

BD5001-09600-MB



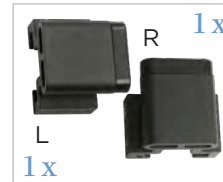
INCLUDED IN KIT



WALL SPACERS



ANTI-JUMP BLOCKS



TRACK END STOPS

BD860-MBL | BD860-MBR



FLOOR GUIDE



Color may differ

WALL MOUNTED GUIDE



Color may differ

FLOOR MOUNTED GUIDE



CONCRETE BOLTS



TRACK MOUNTING SCREWS

CADIUM BENT STRAP BARN DOOR HARDWARE KIT

| TRACK SIZE        | FINISH      | WEIGHT CAPACITY | PRODUCT NUMBER  |
|-------------------|-------------|-----------------|-----------------|
| 78 3/4" (2000 mm) | Matte Black | 150 lbs         | BD202K-07800-MB |
| 96" (2438 mm)     |             |                 | BD202K-09600-MB |



**NEW** CADIUM STRAIGHT STRAP BARN DOOR HARDWARE KIT



CADIUM STRAIGHT STRAP

BD200K-MB

The Cadium Barn Door Hardware Kit in straight strap hanging hardware, allowing you to customize the look of your door.

- Kit includes 78 3/4" or 96" hardened steel track, hangers and hardware for one barn door weight up to 150lbs
- Improved end stop eliminates hanging hardware location issues
- Wheels provide excellent strength and durability as well as smoothness of travel along the track
- Suitable for 1-3/8" thick doors weighing up to 150lbs (68 kg)
- Matte black hardened steel factory finished, ready-to-install
- Handle sold separately



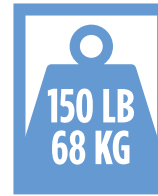
78 3/4" TRACK

BD5001-07800-MB



Option  
96" TRACK

BD5001-09600-MB



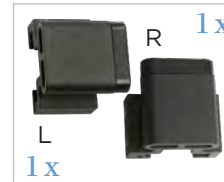
INCLUDED IN KIT



WALL SPACERS



ANTI-JUMP BLOCKS



TRACK END STOPS

BD860-MBL BD860-MBR



FLOOR GUIDE



Color may differ

WALL MOUNTED GUIDE



Color may differ

FLOOR MOUNTED GUIDE



CONCRETE BOLTS



TRACK MOUNTING SCREWS

NEW  
BARN

CADIUM STRAIGHT STRAP

CADIUM STRAIGHT STRAP BARN DOOR HARDWARE KIT

| TRACK SIZE        | FINISH      | WEIGHT CAPACITY | PRODUCT NUMBER  |
|-------------------|-------------|-----------------|-----------------|
| 78 3/4" (2000 mm) | Matte Black | 150 lbs         | BD200K-07800-MB |
| 96" (2438 mm)     |             |                 | BD200K-09600-MB |

## SPECTRUM MATTE BLACK BARN DOOR HARDWARE KITS

BARN 250 LB

SPECTRUM MATTE BLACK BARN DOOR HARDWARE KITS



Door slab and handle not included. Matte Black Bent Strap Hardware Kit Shown.

# SPECTRUM MATTE BLACK BARN DOOR HARDWARE KITS

## BENT STRAP



Bent Strap  
Installation  
Instructions  
PDF

*Android users please refer  
to your owners manual*



| BENT STRAP HARDWARE KIT |                 |
|-------------------------|-----------------|
| TRACK SIZE              | PRODUCT NUMBER  |
| 78 3/4" (2000 mm)       | BD102K-07800-MB |
| 96" (2438 mm)           | BD102K-09600-MB |

## STRAIGHT STRAP



Straight Strap  
Installation  
Instructions  
PDF

*Android users please refer  
to your owners manual*

## TOP OF DOOR STRAP



T.O.D. Strap  
Installation  
Instructions  
PDF

*Android users please refer  
to your owners manual*











| STRAIGHT STRAP HARDWARE KIT |                 |
|-----------------------------|-----------------|
| TRACK SIZE                  | PRODUCT NUMBER  |
| 78 3/4" (2000 mm)           | BD100K-07800-MB |
| 96" (2438 mm)               | BD100K-09600-MB |

| TOP OF DOOR HARDWARE KIT |                 |
|--------------------------|-----------------|
| TRACK SIZE               | PRODUCT NUMBER  |
| 78 3/4" (2000 mm)        | BD101K-07800-MB |
| 96" (2438 mm)            | BD101K-09600-MB |

250 LB BARN




SPECTRUM MATTE BLACK BARN DOOR HARDWARE KITS

## SPECTRUM MATTE BLACK BARN DOOR HARDWARE PARTS




| PARTS INCLUDED IN KITS                                       |         | PIECES | BOX | PART NUMBER     | PARTS IMAGE  |
|--|---------|--------|-----|-----------------|--|
| 78 3/4" TRACK  |         | 1      | 1   | BD5000-07800-MB |                               |
| ▲ Choose your track ▼  |         |        |     |                 |  |
| 96" TRACK  |         | 1      | 1   | BD5000-09600-MB |                               |
| Wall Spacer  | 78 3/4" | 5      | 1   | BD350-MB        |                               |
|  | 96"     | 6      | 1   |                 |  |
| Track Mount Screws<br>(With anchor for Drywall)              | 78 3/4" | 5      | 1   | BD136-MB        |                              |
|  | 96"     | 6      | 1   |                 |  |
| Track Mount Bolts<br>(With carriage anchor for Concrete)     | 78 3/4" | 5      | 1   | BD134-MB        |                             |
|  | 96"     | 6      | 1   |                 |  |
| Single Strap Mounting Bolt<br>(For Bent/Straight Strap kits) | 1 3/4"  | 2      | 1   | BD133-MB        |                             |
|  | 1 3/8"  | 2      | 1   | BD130-MB        |  |
| Left and Right End Stops                                     |         | 1      | 1   | BD850-MB-L      | <br><i>Style may differ</i> |
|  |         | 1      | 1   | BD850-MB-R      |  |
| Anti-Jump Discs  |         | 2      | 1   | BD790           |                             |
| Floor Mount Guide  |         | 1      | 1   | BD750           |                             |
| Optional Wall Mount and Floor Surface Guides                 |         | 1 each | 1   | HW99161         | <br><i>Color may differ</i> |

BARN 250 LB

SPECTRUM MATTE BLACK BARN DOOR HARDWARE PARTS

| PARTS   |   |       |          |   |
|---|---|-------|----------|---|
| PART NAME   | KIT INCLUDES  | UNITS | PART #   | PARTS IMAGE   |
| Single Bent Strap<br>(supplied with 1 3/8" bolts<br>- 1 3/4" bolts sold separately)     | Two barn door straps are required for each barn door hung     | 1     | BD552-MB |  |
| Single Straight Strap<br>(supplied with 1 3/8" bolts<br>- 1 3/4" bolts sold separately) |   | 1     | BD550-MB |  |
| Single Top Mount<br>(Supplied with Top Mounting screws)                                 | Two barn door Top Mounts are required for each barn door hung | 1     | BD551-MB |  |

| ACCESSORIES PARTS  |                        |       |          |   |
|--|------------------------|-------|----------|---|
| PART NAME  | ACCESSORIES            | UNITS | PART #   | PARTS IMAGE   |
| Single Door Handle<br>(6 1/2" x 1" x 1 1/2")             | With Mounting Screws   | 1     | BD450-MB |    |
| Single Rectangular Flush Door Pull<br>(6 7/16" x 2 1/8") | With Mounting Screws   | 1     | BD460-MB |  |
| Single Privacy Latch                                     | With Mounting Hardware | 1     | BD250-MB |  |

| ADD-A-DOOR KITS   |  |       |              |   |
|---|--|-------|--------------|---|
| PART NAME   | KIT INCLUDES   | UNITS | PART #       | PARTS IMAGE   |
| Bent Strap kit with 1 3/8" mounting bolts<br>(1 3/4" bolts sold separately)     | <ul style="list-style-type: none"> <li>• Straps</li> <li>• 1 3/8" mounting bolts</li> <li>• left and right stoppers</li> <li>• Anti-jump discs</li> <li>• Floor guide</li> <li>• Optional floor guides.</li> </ul> | 1     | BD400-102-MB |  |
| Straight Strap kit with 1 3/8" mounting bolts<br>(1 3/4" bolts sold separately) | <ul style="list-style-type: none"> <li>• Straps</li> <li>• 1 3/8" mounting bolts</li> <li>• left and right stoppers</li> <li>• Anti-jump discs</li> <li>• Floor guide</li> <li>• Optional floor guides.</li> </ul> | 1     | BD400-100-MB |  |
| Top Mount kit with top mount screws   | <ul style="list-style-type: none"> <li>• Top Mounts</li> <li>• Mounting Screws</li> <li>• left and right stoppers</li> <li>• Anti-jump discs</li> <li>• Floor guide</li> <li>• Optional floor guides.</li> </ul>   | 1     | BD400-101-MB |  |

## SPECTRUM STAINLESS STEEL BARN DOOR HARDWARE KITS

BARN 250 LB

SPECTRUM STAINLESS STEEL BARN DOOR HARDWARE KITS



Door slab not included. Stainless Steel Bent Strap Hardware Kit Shown.

# SPECTRUM STAINLESS STEEL BARN DOOR HARDWARE KITS

## BENT STRAP



Bent Strap  
Installation  
Instructions  
PDF



*Android users please refer  
to your owners manual*



INCLUDED IN KIT

STAINLESS STEEL BENT STRAP HARDWARE KIT

### BENT STRAP HARDWARE KIT

| TRACK SIZE        | PRODUCT NUMBER  |
|-------------------|-----------------|
| 78 3/4" (2000 mm) | BD102K-07800-SS |
| 96" (2438 mm)     | BD102K-09600-SS |

## STRAIGHT STRAP



Straight Strap  
Installation  
Instructions  
PDF



*Android users please refer  
to your owners manual*

## TOP OF DOOR STRAP



T.O.D. Strap  
Installation  
Instructions  
PDF



*Android users please refer  
to your owners manual*

### STRAIGHT STRAP HARDWARE KIT

| TRACK SIZE        | PRODUCT NUMBER  |
|-------------------|-----------------|
| 78 3/4" (2000 mm) | BD100K-07800-SS |
| 96" (2438 mm)     | BD100K-09600-SS |











### TOP OF DOOR HARDWARE KIT

| TRACK SIZE        | PRODUCT NUMBER  |
|-------------------|-----------------|
| 78 3/4" (2000 mm) | BD101K-07800-SS |
| 96" (2438 mm)     | BD101K-09600-SS |

250 LB BARN




SPECTRUM STAINLESS STEEL BARN DOOR HARDWARE KITS

## SPECTRUM STAINLESS STEEL BARN DOOR HARDWARE PARTS




| PARTS INCLUDED IN KITS                                       |         | PIECES | BOX | PART NUMBER     | PARTS IMAGE  |
|--|---------|--------|-----|-----------------|--|
| 78 3/4" TRACK  |         | 1      | 1   | BD5000-07800-SS |                               |
| ▲ Choose your track ▼  |         |        |     |                 |  |
| 96" TRACK  |         | 1      | 1   | BD5000-09600-SS |                               |
| Wall Spacer  | 78 3/4" | 5      | 1   | BD350-SS        |                               |
|  | 96"     | 6      | 1   |                 |  |
| Track Mount Screws<br>(With anchor for Drywall)              | 78 3/4" | 5      | 1   | BD136-SS        |                              |
|  | 96"     | 6      | 1   |                 |  |
| Track Mount Bolts<br>(With carriage anchor for Concrete)     | 78 3/4" | 5      | 1   | BD134-SS        |                             |
|  | 96"     | 6      | 1   |                 |  |
| Single Strap Mounting Bolt<br>(For Bent/Straight Strap kits) | 1 3/4"  | 2      | 1   | BD133-SS        |                             |
|  | 1 3/8"  | 2      | 1   | BD130-SS        |  |
| Left and Right End Stops                                     |         | 1      | 1   | BD850-SS-L      | <br><i>Style may differ</i> |
|  |         | 1      | 1   | BD850-SS-R      |  |
| Anti-Jump Discs  |         | 2      | 1   | BD790           |                             |
| Floor Mount Guide  |         | 1      | 1   | BD750           |                             |
| Optional Wall Mount and Floor Surface Guides                 |         | 1 each | 1   | HW99161         | <br><i>Color may differ</i> |

BARN 250 LB  
SPECTRUM STAINLESS STEEL BARN DOOR HARDWARE PARTS



| PARTS   |   |       |          |   |
|---|---|-------|----------|---|
| PART NAME   | KIT INCLUDES  | UNITS | PART #   | PARTS IMAGE   |
| Single Bent Strap<br>(supplied with 1 3/8" bolts<br>- 1 3/4" bolts sold separately)     | Two barn door straps are required for each barn door hung     | 1     | BD552-SS |  |
| Single Straight Strap<br>(supplied with 1 3/8" bolts<br>- 1 3/4" bolts sold separately) |   | 1     | BD550-SS |  |
| Single Top Mount<br>(Supplied with Top Mounting screws)                                 | Two barn door Top Mounts are required for each barn door hung | 1     | BD551-SS |  |

| ACCESSORIES PARTS  |                        |       |          |   |
|--|------------------------|-------|----------|---|
| PART NAME  | ACCESSORIES            | UNITS | PART #   | PARTS IMAGE   |
| Single Door Handle<br>(6 1/2" x 1" x 1 1/2")             | With Mounting Screws   | 1     | BD450-SS |    |
| Single Rectangular Flush Door Pull<br>(6 7/16" x 2 1/8") | With Mounting Screws   | 1     | BD460-SS |  |
| Single Privacy Latch                                     | With Mounting Hardware | 1     | BD250-SS |  |
| Round Flush Pull   | Brushed Nickel         | 1     | 64495    |  |

| ADD-A-DOOR KITS   |  |       |              |   |
|---|--|-------|--------------|---|
| PART NAME   | KIT INCLUDES   | UNITS | PART #       | PARTS IMAGE   |
| Bent Strap kit with 1 3/8" mounting bolts<br>(1 3/4" bolts sold separately)     | <ul style="list-style-type: none"> <li>• Straps</li> <li>• 1 3/8" mounting bolts</li> <li>• left and right stoppers                             <ul style="list-style-type: none"> <li>• Anti-jump discs</li> </ul> </li> <li>• Floor guide</li> <li>• Optional floor guides.</li> </ul> | 1     | BD400-102-SS |  |
| Straight Strap kit with 1 3/8" mounting bolts<br>(1 3/4" bolts sold separately) | <ul style="list-style-type: none"> <li>• Straps</li> <li>• 1 3/8" mounting bolts</li> <li>• left and right stoppers                             <ul style="list-style-type: none"> <li>• Anti-jump discs</li> </ul> </li> <li>• Floor guide</li> <li>• Optional floor guides.</li> </ul> | 1     | BD400-100-SS |  |
| Top Mount kit with top mount screws   | <ul style="list-style-type: none"> <li>• Top Mounts</li> <li>• Mounting Screws</li> <li>• left and right stoppers                             <ul style="list-style-type: none"> <li>• Anti-jump discs</li> </ul> </li> <li>• Floor guide</li> <li>• Optional floor guides.</li> </ul>   | 1     | BD400-101-SS |  |

## SPECTRUM COPPER BARN DOOR HARDWARE KITS

BARN 250 LB

SPECTRUM COPPER BARN DOOR HARDWARE KITS



INCLUDED IN KIT













COPPER BENT STRAP HARDWARE KIT

| TRACK SIZE        | PRODUCT NUMBER  |
|-------------------|-----------------|
| 78 3/4" (2000 mm) | BD102K-07800-CP |
| 96" (2438 mm)     | BD102K-09600-CP |

Door slab and handle not included

## SPECTRUM COPPER BARN DOOR HARDWARE KITS

| PARTS INCLUDED IN KITS                                       |         | PIECES | BOX | PART NUMBER     | PARTS IMAGE  |
|--|---------|--------|-----|-----------------|--|
| 78 3/4" TRACK  |         | 1      | 1   | BD5000-07800-CP |                               |
| ▲ Choose your track ▼  |         |        |     |                 |  |
| 96" TRACK  |         | 1      | 1   | BD5000-09600-CP |                               |
| Wall Spacer  | 78 3/4" | 5      | 1   | BD350-CP        |                               |
|  | 96"     | 6      | 1   |                 |  |
| Track Mount Screws<br>(With anchor for Drywall)              | 78 3/4" | 5      | 1   | BD136-MB        |                               |
|  | 96"     | 6      | 1   |                 |  |
| Track Mount Bolts<br>(With carriage anchor for Concrete)     | 78 3/4" | 5      | 1   | BD134-MB        |                              |
|  | 96"     | 6      | 1   |                 |  |
| Single Strap Mounting Bolt<br>(For Bent/Straight Strap kits) | 1 3/4"  | 2      | 1   | BD133-MB        |                             |
|  | 1 3/8"  | 2      | 1   | BD130-MB        |  |
| Left and Right End Stops                                     |         | 1      | 1   | BD850-CP-L      | <br><i>Style may differ</i> |
|  |         | 1      | 1   | BD850-CP-R      |  |
| Anti-Jump Discs  |         | 2      | 1   | BD790           |                             |
| Floor Mount Guide  |         | 1      | 1   | BD750           |                             |
| Optional Wall Mount and Floor Surface Guides                 |         | 1 each | 1   | HW99161         | <br><i>Color may differ</i> |

### ACCESSORIES PARTS (SOLD SEPARATELY)

| PART NAME                                    | ACCESSORIES          | UNITS | PART #   | PARTS IMAGE   |
|--|----------------------|-------|----------|---|
| Single Door Handle<br>(6 1/2" x 1" x 1 1/2") | With Mounting Screws | 1     | BD450-CP |  |

250 LB BARN

SPECTRUM COPPER BARN DOOR HARDWARE KITS

## SPECTRUM BURNISHED BRONZE BARN DOOR HARDWARE KITS

BARN 250 LB

SPECTRUM BURNISHED BRONZE BARN DOOR HARDWARE KITS













### INCLUDED IN KIT

#### BURNISHED BRONZE BENT STRAP HARDWARE KIT

| TRACK SIZE        | PRODUCT NUMBER  |
|-------------------|-----------------|
| 78 3/4" (2000 mm) | BD102K-07800-BB |
| 96" (2438 mm)     | BD102K-09600-BB |

Door slab and handle not included

## SPECTRUM BURNISHED BRONZE BARN DOOR HARDWARE KITS

| PARTS INCLUDED IN KITS                                    |         | PIECES | BOX | PART NUMBER     | PARTS IMAGE  |
|---|---------|--------|-----|-----------------|--|
| 78 3/4" TRACK   |         | 1      | 1   | BD5000-07800-BB |                               |
| ▲ Choose your track ▼                                     |         |        |     |                 |  |
| 96" TRACK   |         | 1      | 1   | BD5000-09600-BB |                               |
| Wall Spacer   | 78 3/4" | 5      | 1   | BD350-BB        |                               |
|   | 96"     | 6      | 1   |                 |  |
| Track Mount Screws<br>(With anchor for Drywall)           | 78 3/4" | 5      | 1   | BD136-MB        |                               |
|   | 96"     | 6      | 1   |                 |  |
| Track Mount Bolts (With carriage anchor for Concrete)     | 78 3/4" | 5      | 1   | BD134-MB        |                              |
|   | 96"     | 6      | 1   |                 |  |
| Single Strap Mounting Bolt (For Bent/Straight Strap kits) | 1 3/4"  | 2      | 1   | BD133-MB        |                             |
|   | 1 3/8"  | 2      | 1   | BD130-MB        |  |
| Left and Right End Stops                                  |         | 1      | 1   | BD850-BB-L      | <br><i>Style may differ</i> |
|   |         | 1      | 1   | BD850-BB-R      |  |
| Anti-Jump Discs   |         | 2      | 1   | BD790           |                             |
| Floor Mount Guide   |         | 1      | 1   | BD750           |                             |
| Optional Wall Mount and Floor Surface Guides              |         | 1 each | 1   | HW99161         | <br><i>Color may differ</i> |

### ACCESSORIES PARTS (SOLD SEPARATELY)

| PART NAME                                 | ACCESSORIES          | UNITS | PART #   | PARTS IMAGE   |
|---|----------------------|-------|----------|---|
| Single Door Handle (6 1/2" x 1" x 1 1/2") | With Mounting Screws | 1     | BD450-BB |  |

250 LB BARN

SPECTRUM BURNISHED BRONZE BARN DOOR HARDWARE KITS

## BIPARTING TRACK JOINER

SINGLE TRACK JOINER KIT WITH MOUNTING SCREWS



**MATTE BLACK**

BD125-MB

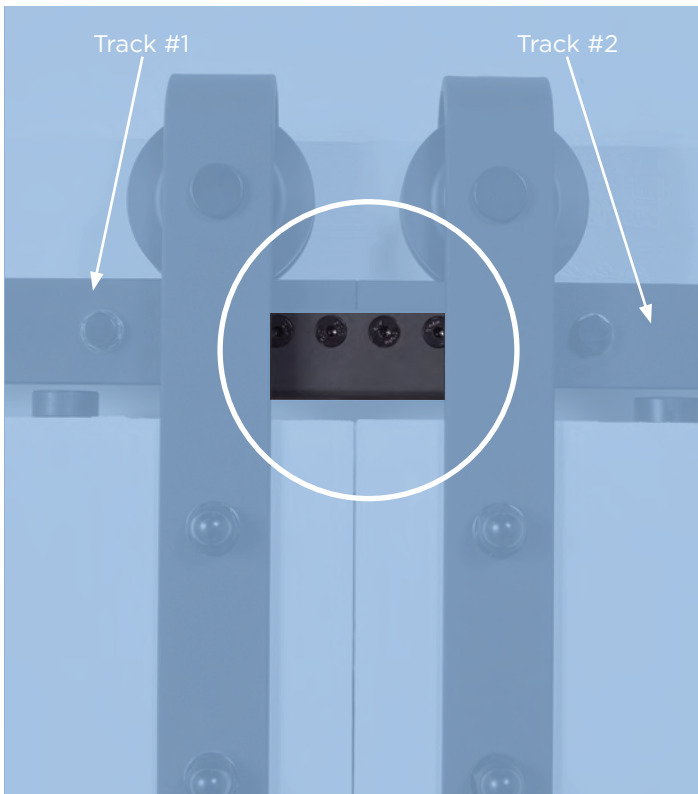


**STAINLESS STEEL**

BD125-SS

BARN 250 LB

BIPARTING TRACK JOINER



- Designed to join two tracks for wider opening applications
- Allows two doors to travel across two tracks
- Barn Door Hardware Kits sold separately

## BYPASS BARN DOOR BRACKET KIT

### BYPASS BARN DOOR BRACKETS



**MATTE BLACK**  
BD670-07800-MB



**STAINLESS STEEL**  
BD670-07800-SS



Bypass Barn Door  
Bracket  
Installation  
Instructions



*Android users please refer  
to your owners manual*

250 LB  
BARN

BYPASS BARN DOOR BRACKET KIT

- Allows two doors to travel independently across two tracks
- Ideal when two Biparting Tracks will not fit available space
- Barn Door Hardware Kits sold separately

| DOOR SIZE         | MATTE BLACK PRODUCT #      | STAINLESS STEEL PRODUCT #  |
|-------------------|----------------------------|----------------------------|
| 78 3/4" (2000 mm) | BD670-07800-MB (5 Hangers) | BD670-07800-SS (5 Hangers) |
| 96" (2438 mm)     | BD670-09600-MB (6 Hangers) | BD670-09600-SS (6 Hangers) |

## EASY CLIP™ SOFT CLOSE HARDWARE



BARN

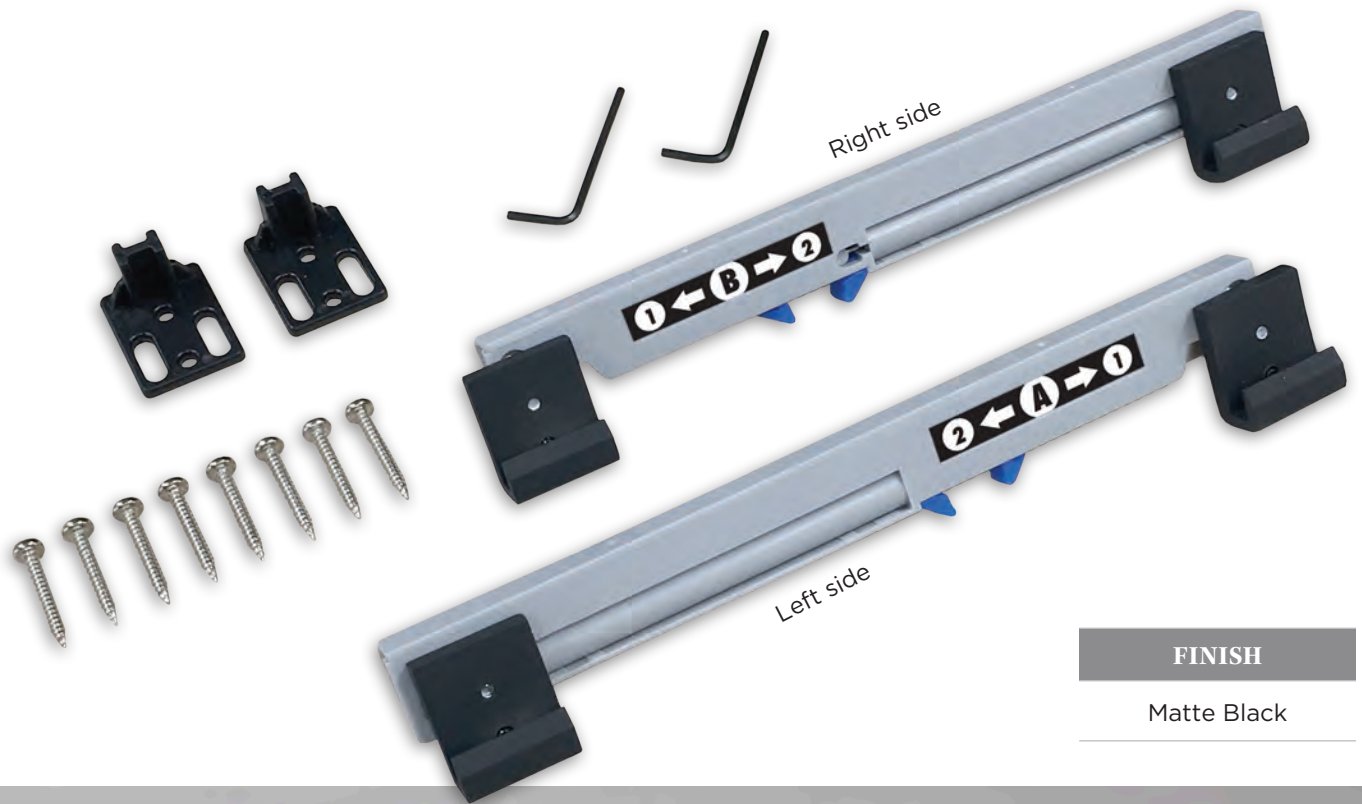
EASY CLIP™ SOFT CLOSE HARDWARE

This hardware is designed to be mounted to the back of an existing Barn Door flat track. The left and right sided hardware are each mounted at the ends of the track to provide soft close and soft open operation of the door.

- Low profile attachment is concealed behind the track and does not affect the look of your hardware
- Kit includes 2 Easy Clip Soft Close attachments for both ends of your track to open and close quietly and effortlessly
- Installs in minutes to most flat track barn door kits.
- Mounts directly to your previously installed hardware
- On 18" Biparting doors, the Easy Clip Mechanism can only be used to either soft open or soft close



## EASY CLIP™ SOFT CLOSE HARDWARE



### DOOR WEIGHT

| 10 - 20 KG (22 - 44 LBS) | 20 - 40 KG (44 - 88 LBS) | 40 - 60 KG (88 - 132 LBS) | 60 - 85 KG (132 - 187 LBS) |
|--------------------------|--------------------------|---------------------------|----------------------------|
| BDF960-1020-MB           | BDF960-2040-MB           | BDF960-4060-MB            | BDF960-6085-MB             |

BARN

EASY CLIP™ SOFT CLOSE HARDWARE

**NEW** BARN DOOR EASY LATCH HARDWARE



**NEW**  
BARN

BARN DOOR EASY LATCH HARDWARE

*Door slab and track hardware not included*

**Coming Summer 2019**

**NEW** BARN DOOR EASY LATCH HARDWARE



OUTSIDE OF DOOR (may not be as shown)

**SECURITY MECHANISM**



INSIDE OF DOOR (Handle may not be as shown)

**OPENING AND CLOSING MECHANISM**

**NEW**  
**BARN**

BARN DOOR EASY LATCH HARDWARE

The Barn Door Easy Latch Hardware is designed to give you the privacy you need in your home without compromising style or function. Our latch is compatible with all flat track doors and hardware systems, making installation easy and simple.

- ADA compliant lever secures the door from the inside
- Does not require routing of the door to install the lock
- Can be retrofitted to existing doors or on a new install
- The latch system is surface mounted without having to remove the door. The locking bar mounts to the side of the door. Does not require drilling into your wall or door jamb
- Matte Black hardware
- Barn Door Hardware Kits sold separately

| MATERIAL | FINISH      | PRODUCT NUMBER |
|----------|-------------|----------------|
| Steel    | Matte Black | BDF8000-MB     |

# CLOSET

# CLO SET

# INTRODUCTION

## CLOSET INTRODUCTION


### COMMANDING CLOSETS.

Sometimes, what's within your closet needs a bit of covering up. What better way to do that than with a closet door to steal all of the attention?

Save space in small rooms by adding a sliding closet door to your enclosures, utilize a bifold closet door to stack up on style or try a pivot closet door to replace any memories of ever having a basic closet.

| STILE PROFILES       |      |
|----------------------|------|
| DESCRIPTION          | PAGE |
| Frame Finish Options | 56   |
| Stile Profiles       | 57   |

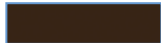




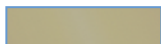
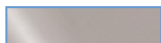
 [Renin.com](http://Renin.com)

 Sales: 1 (888) 752-0427



 Customer Service: 1 (800) 493-5263

## FRAME FINISH OPTIONS

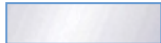


### STEEL FRAMED FINISHES

| FINISH NAME         | CODE | SWATCH  |
|---------------------|------|---|
| Architectural Brown | AB   |  |
| Arctic Silver       | AS   |  |
| Bright Gold         | BG   |  |
| Bright White        | BW   |  |
| Matte Black         | MB   |  |
| Satin Gold          | SG   |  |
| Satin Nickel        | SN   |  |

### STEEL FRAMELESS FINISHES

| FINISH NAME   | CODE | SWATCH  |
|---------------|------|---|
| Arctic Silver | AS   |  |
| Bright White  | BW   |  |

### ALUMINUM FRAMED & FRAMELESS FINISHES

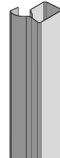
| FINISH NAME   | CODE | SWATCH  |
|---------------|------|---|
| Satin Chrome  | C1   |  |
| Bright Chrome | C2   |  |
| Bright White  | BW   |  |


### ENGINEERED WOOD FINISHES


| FINISH NAME   | CODE | SWATCH  |
|---------------|------|---|
| Espresso      | ES   |  |
| Iron Age      | IA   |  |
| Off-White     | BW   |  |
| Silver Oak    | SO   |  |
| Pure White    | PW   |  |
| Graphite Gray | GG   |  |


## STILE PROFILES


| SLIMLINE BYPASS STILE (FOR PANEL) |       |        |   |
|-----------------------------------|-------|--------|---|
| MODEL                             | TYPE  | INSERT | STILE PROFILE   |
| BY0100                            | Steel | 3-4MM  |  |
| BY0105                            |       |        |   |
| BY0106                            |       |        |   |
| BY0107                            |       |        |   |
| BY0108                            |       |        |   |
| BY0109                            |       |        |   |

| SLIMLINE BYPASS STILE (FOR MIRROR) |       |        |   |
|------------------------------------|-------|--------|---|
| MODEL                              | TYPE  | INSERT | STILE PROFILE   |
| BY0120                             | Steel | 3-4MM  |  |
| BY0220                             |       |        |   |

| CONTEMPORARY WIDE CURVED STILE |       |        |   |
|--------------------------------|-------|--------|---|
| MODEL                          | TYPE  | INSERT | STILE PROFILE   |
| BY0230                         | Steel | 3-4MM  |  |

| EDGE GUARD FRAMELESS BYPASS STILE |       |        |   |
|-----------------------------------|-------|--------|---|
| MODEL                             | TYPE  | INSERT | STILE PROFILE   |
| BY320B                            | Steel | 3-4MM  |  |
| BY320P                            |       |        |   |

| SLIMLINE BYPASS STILE |          |        |   |
|-----------------------|----------|--------|---|
| MODEL                 | TYPE     | INSERT | STILE PROFILE   |
| BY0250                | Aluminum | 3-4MM  |  |

| FRAMELESS BIFOLD STILE |       |        |   |
|------------------------|-------|--------|---|
| MODEL                  | TYPE  | INSERT | STILE PROFILE   |
| BI321B                 | Steel | 3-4MM  |  |
| BI321P                 |       |        |   |



BI321P

Frameless Bifold Mirror

# BYPASS

**CLO  
SET**

PANEL

CLOSET





## BYPASS PANEL CLOSET DOORS | STEEL


Sliding Bypass Doors are the perfect closet doors for any room. Smoothly rolling from side to side, they give you full access to all of the space in your closet.

Unlike a hinged door, they do not require space to operate. The sleek look of sliding bypass doors conceals clothing and keeps storage out of sight.

Modernize your space and add light by selecting a sliding bypass door built with full length mirrors or select a sliding bypass door that combines wood, glass, and a matching fascia to make your design more dynamic.

| BYPASS PANEL CLOSET DOORS |   |      |
|---------------------------|---|------|
| STEEL                     |   |      |
| MODEL                     | DESCRIPTION   | PAGE |
| BY0100                    | Top Roll Flush Panel Board Slimline Framed Bypass Steel Door System                 | 60   |
| BY0106                    | Top Roll Prefinished Molded 6-Panel Design Slimline Framed Bypass Steel Door System |      |
| BY0108                    | Top roll Panel Square Design Slimline Framed Bypass Steel Door System               |      |
| BY0109                    | Top roll Panel Arch Design Slimline Framed Bypass Steel Door System                 |      |

 [Renin.com](http://Renin.com)

 Sales: 1 (888) 752-0427

 Customer Service: 1 (800) 493-5263



**BYPASS PANEL CLOSET DOORS | STEEL - TOP ROLL**

TOP ROLL

CLOSET

BYPASS PANEL CLOSET DOORS | STEEL



BY0100

CUSTOM SIZES AVAILABLE

**FLUSH PANEL  
DECOR FINISH**

Bright White

| A | PRODUCT NUMBER    |
|---|-------------------|
| 1 | BY0100BWWTC048080 |
| 2 | BY0100BWWTC060080 |
| 3 | BY0100BWWTC072080 |
| 4 | BY0100BWWTC084080 |
| 5 | BY0100BWWTC096080 |
| 6 | BY0100BWWTC108080 |
| 7 | BY0100BWWTC120080 |
| 8 | BY0100BWWTC144080 |
| 9 | BY0100BWWTC192080 |

| B  | PRODUCT NUMBER    |
|----|-------------------|
| 10 | BY0100BWWTC048096 |
| 11 | BY0100BWWTC060096 |
| 12 | BY0100BWWTC072096 |
| 13 | BY0100BWWTC084096 |
| 14 | BY0100BWWTC096096 |
| 15 | BY0100BWWTC108096 |
| 16 | BY0100BWWTC120096 |
| 17 | BY0100BWWTC144096 |
| 18 | BY0100BWWTC192096 |

**INSERT MATERIAL**  
Painted Panel Board



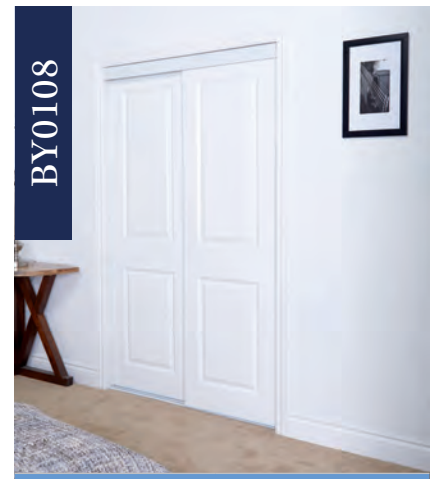
BY0106

**MOLDED 6-PANEL  
DECOR FINISH**

Bright White

| A | PRODUCT NUMBER    |
|---|-------------------|
| 1 | BY0106BWWTE048080 |
| 2 | BY0106BWWTE060080 |
| 3 | BY0106BWWTE072080 |

**INSERT MATERIAL**  
Painted Panel Board



BY0108

**2 PANEL SQUARE TOP  
DECOR FINISH**

Bright White

| A | PRODUCT NUMBER    |
|---|-------------------|
| 1 | BY0108BWPRC048080 |
| 2 | BY0108BWPRC060080 |
| 3 | BY0108BWPRC072080 |

**INSERT MATERIAL**  
Primed Panel Board



BY0109

**2 PANEL ARCH**

**DECOR FINISH**

Bright White

| A | PRODUCT NUMBER    |
|---|-------------------|
| 1 | BY0109BWPRC048080 |
| 2 | BY0109BWPRC060080 |
| 3 | BY0109BWPRC072080 |

**INSERT MATERIAL**  
Primed Panel Board

## BYPASS PANEL CLOSET DOORS | STEEL - TOP ROLL

| A  | PANELS   | FINISHED OPENINGS |                         | ACTUAL PANEL SIZE |           | A     |
|----|----------|-------------------|-------------------------|-------------------|-----------|-------|
|    | QUANTITY | WIDTH*            | HEIGHT                  | WIDTH             | HEIGHT    |       |
| 1  | 2        | 48"               | 80-81"                  | 24 3/16"          | 77 15/16" | 1     |
| 2  |          | 60"               |                         | 30 3/16"          |           | 2     |
| 3  |          | 72"               |                         | 36 3/16"          |           | 3     |
| 4  |          | 84"               |                         | 42 3/16"          |           | 4     |
| 5  |          | 96"               |                         | 48 3/16"          |           | 5     |
| 6  | 3        | 108"              |                         | 36 3/16"          |           | 6     |
| 7  |          | 120"              |                         | 40 3/16"          |           | 7     |
| 8  |          | 144"              |                         | 48 3/16"          |           | 8     |
| 9  | 4        | 192"              |                         | 48 3/16"          |           | 9     |
| B  | QUANTITY | WIDTH*            |                         | HEIGHT            |           | WIDTH |
| 10 | 2        | 48"               | 95 1/2"<br>-<br>96 1/2" | 24 3/16"          | 93 7/16"  | 10    |
| 11 |          | 60"               |                         | 30 3/16"          |           | 11    |
| 12 |          | 72"               |                         | 36 3/16"          |           | 12    |
| 13 |          | 84"               |                         | 42 3/16"          |           | 13    |
| 14 |          | 96"               |                         | 48 3/16"          |           | 14    |
| 15 | 3        | 108"              |                         | 36 3/16"          |           | 15    |
| 16 |          | 120"              |                         | 40 3/16"          |           | 16    |
| 17 |          | 144"              |                         | 48 3/16"          |           | 17    |
| 18 | 4        | 192"              |                         | 48 3/16"          |           | 18    |

TOP ROLL

CLOSET

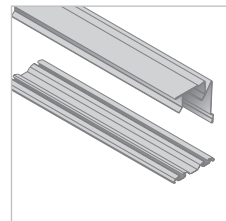
BYPASS PANEL CLOSET DOORS | STEEL

CUSTOM SIZES AVAILABLE ON **BY0100**

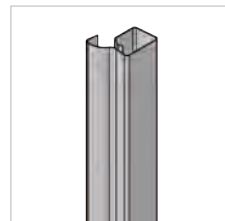
**TRACK TYPE**

Top Roll

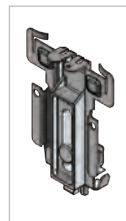
\*Adjustment of +0" to -4" on width



TRACKS | TOP ROLL



SLIMLINE



BOTTOM GUIDE



TOP ROLLER

- Easy-Hang hardware allow doors to lift and hook onto the top roll track system for fast installation
- Easy to maintain, light-weight prefinished flat white panel boards
- Adjustable Easy-Hang hardware correct out-of-square door openings improving installation appearance and operation
- Low profile Invisi-Track provides a hazard-free opening that allows for easy cleaning and smooth traveling doors
- Slimline steel frame with integrated handle design
- Top roll sliding system with Quick-Click Anti-Jump bottom guide Connector ensures doors do not disengage from the track
- Due to the nature of embossed panel, custom sizes are not available on BY0106, 108 and 109

# BYPASS

CLO  
SET

FRAMED MIRROR

CLOSET



## BYPASS FRAMED MIRROR CLOSET DOORS | STEEL

Sliding Bypass Doors are the perfect closet doors for any room. Smoothly rolling from side to side, they give you full access to all of the space in your closet.

Unlike a hinged door, they do not require space to operate. The sleek look of sliding bypass doors conceals clothing and keeps storage out of sight.

Modernize your space and add light by selecting a sliding bypass door built with full length mirrors or select a sliding bypass door that combines wood, glass, and a matching fascia to make your design more dynamic.

| TOP ROLL BYPASS CLOSET DOORS    |   |      |
|---------------------------------|---|------|
| STEEL                           |   |      |
| MODEL                           | DESCRIPTION   | PAGE |
| BY0120                          | Top Roll Slimline Framed Bypass Steel Door System       | 60   |
| BOTTOM ROLL BYPASS CLOSET DOORS |   |      |
| STEEL                           |   |      |
| MODEL                           | DESCRIPTION   | PAGE |
| BY0220                          | Bottom Roll Slimline Framed Bypass Steel Door System    | 62   |
| BYPASS CLOSET DOORS             |   |      |
| STEEL                           |   |      |
| MODEL                           | DESCRIPTION   | PAGE |
| BY0230                          | Bottom Roll Wide Curved Framed Bypass Steel Door System | 64   |

 [Renin.com](http://Renin.com)

 Sales: 1 (888) 752-0427

 Customer Service: 1 (800) 493-5263

**BYPASS FRAMED MIRROR CLOSET DOORS | STEEL - TOP ROLL**



BY0120

**SLIMLINE FRAMED  
DECOR FINISH**

Arctic Silver



| A | PRODUCT NUMBER    |
|---|-------------------|
| 1 | BY0120ASCLC036080 |
| 2 | BY0120ASCLC048080 |
| 3 | BY0120ASCLC060080 |
| 4 | BY0120ASCLC072080 |

**INSERT MATERIAL**

Clear Mirror



BY0120

**SLIMLINE FRAMED  
DECOR FINISH**

Bright White



| A | PRODUCT NUMBER    |
|---|-------------------|
| 1 | BY0120BWCLC036080 |
| 2 | BY0120BWCLC048080 |
| 3 | BY0120BWCLC060080 |
| 4 | BY0120BWCLC072080 |

**INSERT MATERIAL**

Clear Mirror



BY0120

**SLIMLINE FRAMED  
DECOR FINISH**

Satin Gold



| A | PRODUCT NUMBER    |
|---|-------------------|
| 1 | BY0120SGCLC036080 |
| 2 | BY0120SGCLC048080 |
| 3 | BY0120SGCLC060080 |
| 4 | BY0120SGCLC072080 |

**INSERT MATERIAL**

Clear Mirror

Bypass  
Top Roll  
Closet Door  
Installation  
Instructions



Android users please refer  
to your owners manual

TOP ROLL

CLOSET

BYPASS FRAMED MIRROR CLOSET DOORS | STEEL

## BYPASS FRAMED MIRROR CLOSET DOORS | STEEL - TOP ROLL

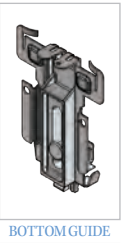
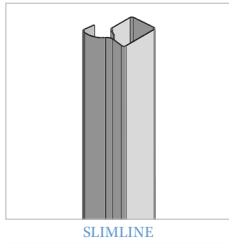
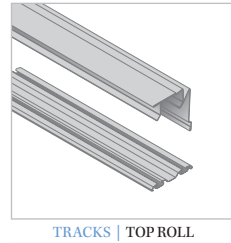
| A | PANELS   | FINISHED OPENINGS |        | ACTUAL PANEL SIZE |           | A |
|---|----------|-------------------|--------|-------------------|-----------|---|
|   | QUANTITY | WIDTH*            | HEIGHT | WIDTH             | HEIGHT    |   |
| 1 | 2        | 36"               | 80-81" | 24 3/16"          | 77 15/16" | 1 |
| 2 |          | 48"               |        | 24 3/16"          |           | 2 |
| 3 |          | 60"               |        | 30 3/16"          |           | 3 |
| 4 |          | 72"               |        | 36 3/16"          |           | 4 |

### CUSTOM SIZES AVAILABLE

#### BY0120

**TRACK TYPE**  
Top Roll

*\*Adjustment of +0" to -4" on width*



TOP ROLL  
CLOSET  
BYPASS FRAMED MIRROR CLOSET DOORS | STEEL

### FEATURES

- Easy-Hang hardware allow doors to lift and hook onto the top roll track system for fast installation
- Easy to maintain, light-weight prefinished flat white panel boards
- Adjustable Easy-Hang hardware correct out-of-square door openings improving installation appearance and operation
- Low profile Invisi-Track provides a hazard-free opening that allows for easy cleaning and smooth traveling doors
- Slimline steel frame with integrated handle design
- Top roll sliding system with Quick-Click Anti-Jump Connector that ensures doors do not disengage from the track

**BYPASS FRAMED MIRROR CLOSET DOORS | STEEL - BOTTOM ROLL**

CLOSET BOTTOM ROLL BYPASS FRAMED MIRROR CLOSET DOORS | STEEL



**SLIMLINE  
DECOR FINISH**

Bright White

| A | PRODUCT NUMBER    |
|---|-------------------|
| 1 | BY0220BWCLC048080 |
| 2 | BY0220BWCLC060080 |
| 3 | BY0220BWCLC072080 |
| 4 | BY0220BWCLC084080 |
| 5 | BY0220BWCLC096080 |
| 6 | BY0220BWCLC108080 |
| 7 | BY0220BWCLC120080 |
| 8 | BY0220BWCLC144080 |
| 9 | BY0220BWCLC192080 |

| B  | PRODUCT NUMBER    |
|----|-------------------|
| 10 | BY0220BWCLC048096 |
| 11 | BY0220BWCLC060096 |
| 12 | BY0220BWCLC072096 |
| 13 | BY0220BWCLC084096 |
| 14 | BY0220BWCLC096096 |
| 15 | BY0220BWCLC108096 |
| 16 | BY0220BWCLC120096 |
| 17 | BY0220BWCLC144096 |
| 18 | BY0220BWCLC192096 |

**INSERT MATERIAL**

Clear Mirror



**SLIMLINE  
DECOR FINISH**

Arctic Silver

| A | PRODUCT NUMBER    |
|---|-------------------|
| 1 | BY0220ASCLC048080 |
| 2 | BY0220ASCLC060080 |
| 3 | BY0220ASCLC072080 |
| 4 | BY0220ASCLC084080 |
| 5 | BY0220ASCLC096080 |
| 6 | BY0220ASCLC108080 |
| 7 | BY0220ASCLC120080 |
| 8 | BY0220ASCLC144080 |
| 9 | BY0220ASCLC192080 |

| B  | PRODUCT NUMBER    |
|----|-------------------|
| 10 | BY0220ASCLC048096 |
| 11 | BY0220ASCLC060096 |
| 12 | BY0220ASCLC072096 |
| 13 | BY0220ASCLC084096 |
| 14 | BY0220ASCLC096096 |
| 15 | BY0220ASCLC108096 |
| 16 | BY0220ASCLC120096 |
| 17 | BY0220ASCLC144096 |
| 18 | BY0220ASCLC192096 |

**INSERT MATERIAL**

Clear Mirror



**SLIMLINE  
DECOR FINISH**

Bright Gold

| A | PRODUCT NUMBER     |
|---|--------------------|
| 1 | BY0220BGCLC048080  |
| 2 | BY0220BGCLC060080  |
| 3 | BY0220BGCLC072080  |
| 4 | BY0220BGCLC084080  |
| 5 | BY0220BGCLC096080  |
| 6 | BY0220BGCLC0108080 |
| 7 | BY0220BGCLC120080  |
| 8 | BY0220BGCLC144080  |
| 9 | BY0220BGCLC192080  |

| B  | PRODUCT NUMBER     |
|----|--------------------|
| 10 | BY0220BGCLC048096  |
| 11 | BY0220BGCLC060096  |
| 12 | BY0220BGCLC072096  |
| 13 | BY0220BGCLC084096  |
| 14 | BY0220BGCLC096096  |
| 15 | BY0220BGCLC0108096 |
| 16 | BY0220BGCLC120096  |
| 17 | BY0220BGCLC144096  |
| 18 | BY0220BGCLC192096  |

**INSERT MATERIAL**

Clear Mirror



**SLIMLINE  
DECOR FINISH**

Satin Gold

| A | PRODUCT NUMBER    |
|---|-------------------|
| 1 | BY0220SGCLC048080 |
| 2 | BY0220SGCLC060080 |
| 3 | BY0220SGCLC072080 |
| 4 | BY0220SGCLC84080  |
| 5 | BY0220SGCLC096080 |
| 6 | BY0220SGCLC108080 |
| 7 | BY0220SGCLC120080 |
| 8 | BY0220SGCLC144080 |
| 9 | BY0220SGCLC192080 |

| B  | PRODUCT NUMBER     |
|----|--------------------|
| 10 | BY0220SGCLC048096  |
| 11 | BY0220SGCLC060096  |
| 12 | BY0220SGCLC072096  |
| 13 | BY0220SGCLC084096  |
| 14 | BY0220SGCLC096096  |
| 15 | BY0220SGCLC0108096 |
| 16 | BY0220SGCLC120096  |
| 17 | BY0220SGCLC144096  |
| 18 | BY0220SGCLC192096  |

**INSERT MATERIAL**

Clear Mirror



**BYPASS FRAMED MIRROR CLOSET DOORS | STEEL - BOTTOM ROLL**

| A  | PANELS   | FINISHED OPENINGS |                         | ACTUAL PANEL SIZE |           | A     |
|----|----------|-------------------|-------------------------|-------------------|-----------|-------|
|    | QUANTITY | WIDTH*            | HEIGHT                  | WIDTH             | HEIGHT    |       |
| 1  | 2        | 48"               | 80-81"                  | 24 3/16"          | 77 15/16" | 1     |
| 2  |          | 60"               |                         | 30 3/16"          |           | 2     |
| 3  |          | 72"               |                         | 36 3/16"          |           | 3     |
| 4  |          | 84"               |                         | 42 3/16"          |           | 4     |
| 5  |          | 96"               |                         | 48 3/16"          |           | 5     |
| 6  | 3        | 108"              |                         | 36 3/16"          |           | 6     |
| 7  |          | 120"              |                         | 40 3/16"          |           | 7     |
| 8  |          | 144"              |                         | 48 3/16"          |           | 8     |
| 9  | 4        | 192"              |                         | 48 3/16"          |           | 9     |
| B  | QUANTITY | WIDTH*            |                         | HEIGHT            |           | WIDTH |
| 10 | 2        | 48"               | 95 1/2"<br>-<br>96 1/2" | 24 3/16"          | 93 7/16"  | 10    |
| 11 |          | 60"               |                         | 30 3/16"          |           | 11    |
| 12 |          | 72"               |                         | 36 3/16"          |           | 12    |
| 13 |          | 84"               |                         | 42 3/16"          |           | 13    |
| 14 |          | 96"               |                         | 48 3/16"          |           | 14    |
| 15 | 3        | 108"              |                         | 36 3/16"          |           | 15    |
| 16 |          | 120"              |                         | 40 3/16"          |           | 16    |
| 17 |          | 144"              |                         | 48 3/16"          |           | 17    |
| 18 | 4        | 192"              |                         | 48 3/16"          |           | 18    |

BOTTOM ROLL

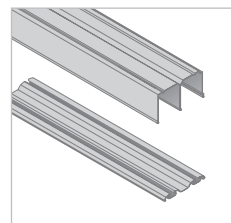
CLOSET

BYPASS FRAMED MIRROR CLOSET DOORS | STEEL

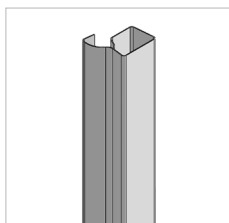
**BY0220** CUSTOM SIZES AVAILABLE

**TRACK TYPE**  
Bottom Roll

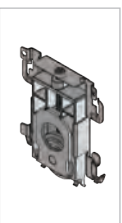
\*Adjustment of +0" to -4" on width



TRACKS | BOTTOM ROLL



SLIMLINE



BOTTOM ROLLER



TOP GUIDE

- Easy-Glide hardware allow doors to travel effortlessly
- Easy to maintain, Safety-Shield backed clear mirror panels
- Adjustable Quick-Click guides correct out-of-square door openings improving installation appearance and operation
- Low profile Invisi-Track provides a hazard-free opening that allows for easy cleaning and smooth traveling doors
- Slimline steel frame with integrated handle design
- Bottom roll sliding system with Quick-Click Anti-Jump Connector that ensures doors do not disengage from the track

Bypass Bottom Roll Closet Door Installation Instructions



Android users please refer to your owners manual

**BYPASS FRAMED MIRROR CLOSET DOORS** | STEEL - BOTTOM ROLL

BYPASS FRAMED MIRROR CLOSET DOORS | STEEL

CLOSET

BOTTOM ROLL



BY0230

**CONTEMPORARY  
DECOR FINISH**

Arctic Silver



| A | PRODUCT NUMBER    |
|---|-------------------|
| 1 | BY0230ASCLC048080 |
| 2 | BY0230ASCLC060080 |
| 3 | BY0230ASCLC072080 |
| 4 | BY0230ASCLC084080 |
| 5 | BY0230ASCLC096080 |

| B  | PRODUCT NUMBER    |
|----|-------------------|
| 10 | BY0230ASCLC048096 |
| 11 | BY0230ASCLC060096 |
| 12 | BY0230ASCLC072096 |
| 13 | BY0230ASCLC084096 |
| 14 | BY0230ASCLC096096 |

**INSERT MATERIAL**

Clear Mirror



BY0230

**CONTEMPORARY  
DECOR FINISH**

Bright White

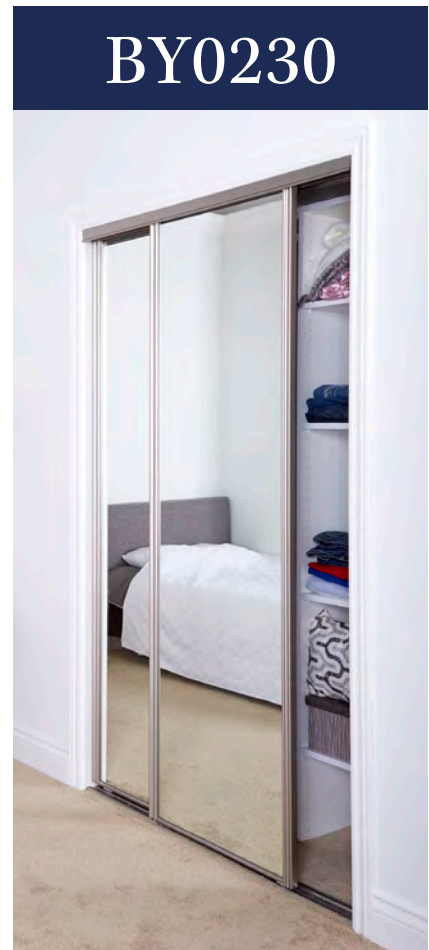


| A | PRODUCT NUMBER    |
|---|-------------------|
| 1 | BY0230BWCLC048080 |
| 2 | BY0230BWCLC060080 |
| 3 | BY0230BWCLC072080 |
| 4 | BY0230BWCLC084080 |
| 5 | BY0230BWCLC096080 |

| B  | PRODUCT NUMBER    |
|----|-------------------|
| 10 | BY0230BWCLC048096 |
| 11 | BY0230BWCLC060096 |
| 12 | BY0230BWCLC072096 |
| 13 | BY0230BWCLC084096 |
| 14 | BY0230BWCLC096096 |

**INSERT MATERIAL**

Clear Mirror



**BY0230**

Bypass  
Bottom Roll  
Closet Door  
Installation  
Instructions

*Android users please refer to your owners manual*

**BYPASS FRAMED MIRROR CLOSET DOORS | STEEL - BOTTOM ROLL**

| A  | PANELS   | FINISHED OPENINGS |                         | ACTUAL PANEL SIZE |           | A  |
|----|----------|-------------------|-------------------------|-------------------|-----------|----|
|    | QUANTITY | WIDTH*            | HEIGHT                  | WIDTH             | HEIGHT    |    |
| 1  | 2        | 48"               | 80-81"                  | 24 3/16"          | 77 15/16" | 1  |
| 2  |          | 60"               |                         | 30 3/16"          |           | 2  |
| 3  |          | 72"               |                         | 36 3/16"          |           | 3  |
| 4  |          | 84"               |                         | 42 3/16"          |           | 4  |
| 5  |          | 96"               |                         | 48 3/16"          |           | 5  |
| B  | QUANTITY | WIDTH*            | HEIGHT                  | WIDTH             | HEIGHT    | B  |
| 10 | 2        | 48"               | 95 1/2"<br>-<br>96 1/2" | 24 3/16"          | 93 7/16"  | 10 |
| 11 |          | 60"               |                         | 30 3/16"          |           | 11 |
| 12 |          | 72"               |                         | 36 3/16"          |           | 12 |
| 13 |          | 84"               |                         | 42 3/16"          |           | 13 |
| 14 |          | 96"               |                         | 48 3/16"          |           | 14 |

BOTTOM ROLL

CLOSET

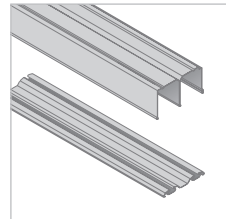
BYPASS FRAMED MIRROR CLOSET DOORS | STEEL

**CUSTOM SIZES AVAILABLE**

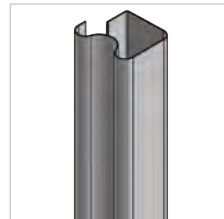
**BY0230**

**TRACK TYPE**  
Bottom Roll

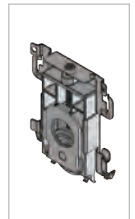
*\*Adjustment of +0" to -4" on width*



TRACKS | BOTTOM ROLL



CONTEMPORARY WIDE CURVED



BOTTOM ROLLER



TOP GUIDE

**FEATURES**

- Easy-Glide hardware allow doors to travel effortlessly
- Easy to maintain, Safety-Shield backed clear mirror panels
- Adjustable Quick-Click guides correct out-of-square door openings improving installation appearance and operation
- Low profile Invisi-Track provides a hazard-free opening that allows for easy cleaning and smooth traveling doors
- Contemporary Wide Curved Stile steel frame with integrated handle design
- Bottom roll sliding system with Quick-Click Anti-Jump Connector that ensures doors do not disengage from the track

# BYPASS

**CLO  
SET**

FRAMELESS

CLOSET



## BYPASS FRAMELESS CLOSET DOORS | STEEL

Sliding Bypass Doors are the perfect closet doors for any room. Smoothly rolling from side to side, they give you full access to all of the space in your closet.

Unlike a hinged door, they do not require space to operate. The sleek look of sliding bypass doors conceals clothing and keeps storage out of sight.

Modernize your space and add light by selecting a sliding bypass door built with full length mirrors or select a sliding bypass door that combines wood, glass, and a matching fascia to make your design more dynamic.

| BYPASS CLOSET DOORS |   |      |
|---------------------|---|------|
| STEEL               |   |      |
| MODEL               | DESCRIPTION   | PAGE |
| BY320B              | Bottom Roll 1/2" Beveled Edge Mirror Edgeguard Frameless Bypass Steel Door System | 68   |
| BY320P              | Bottom Roll Polished Mirror Edgeguard Frameless Bypass Steel Door System          | 70   |

 [Renin.com](http://Renin.com)

 Sales: 1 (888) 752-0427

 Customer Service: 1 (800) 493-5263

**BYPASS FRAMELESS CLOSET DOORS | STEEL - BOTTOM ROLL**



BY320B

**EDGE GUARD  
DECOR FINISH**

Bright White



| A | PRODUCT NUMBER    |
|---|-------------------|
| 1 | BY320BBWCLC048080 |
| 2 | BY320BBWCLC060080 |
| 3 | BY320BBWCLC072080 |
| 4 | BY320BBWCLC084080 |
| 5 | BY320BBWCLC096080 |
| 6 | BY320BBWCLC108080 |
| 7 | BY320BBWCLC120080 |
| 8 | BY320BBWCLC144080 |
| 9 | BY320BBWCLC192080 |

| B  | PRODUCT NUMBER    |
|----|-------------------|
| 10 | BY320BBWCLC048096 |
| 11 | BY320BBWCLC060096 |
| 12 | BY320BBWCLC072096 |
| 13 | BY320BBWCLC084096 |
| 14 | BY320BBWCLC096096 |
| 15 | BY320BBWCLC108096 |
| 16 | BY320BBWCLC120096 |
| 17 | BY320BBWCLC144096 |
| 18 | BY320BBWCLC192096 |

**INSERT MATERIAL**

Clear Mirror, Beveled Edge



BY320B

**EDGE GUARD  
DECOR FINISH**

Satin Gold



| A | PRODUCT NUMBER    |
|---|-------------------|
| 1 | BY320BSGCLC048080 |
| 2 | BY320BSGCLC060080 |
| 3 | BY320BSGCLC072080 |
| 4 | BY320BSGCLC084080 |
| 5 | BY320BSGCLC096080 |
| 6 | BY320BSGCLC108080 |
| 7 | BY320BSGCLC120080 |
| 8 | BY320BSGCLC144080 |
| 9 | BY320BSGCLC192080 |

| B  | PRODUCT NUMBER    |
|----|-------------------|
| 10 | BY320BSGCLC048096 |
| 11 | BY320BSGCLC060096 |
| 12 | BY320BSGCLC072096 |
| 13 | BY320BSGCLC084096 |
| 14 | BY320BSGCLC096096 |
| 15 | BY320BSGCLC108096 |
| 16 | BY320BSGCLC120096 |
| 17 | BY320BSGCLC144096 |
| 18 | BY320BSGCLC192096 |

**INSERT MATERIAL**

Clear Mirror, Beveled Edge

**BY320B**



The Model **BY320B** features 1/2" **beveled edge** 3mm distortion-free infinity mirror with Safety-Shield Backing to strengthen the glass and minimize risk of injury. The mirror panels are encased with a Slimline Edgeguard frame in your choice of finishes.

**BY320(B) = BEVELED**

Bypass  
Bottom Roll  
Closet Door  
Installation  
Instructions



Android users please refer to your owners manual

CLOSET

STEEL

BOTTOM ROLL

## BYPASS FRAMELESS CLOSET DOORS | STEEL - BOTTOM ROLL

| A  | PANELS   | FINISHED OPENINGS |                         | ACTUAL PANEL SIZE |           | A  |
|----|----------|-------------------|-------------------------|-------------------|-----------|----|
|    | QUANTITY | WIDTH*            | HEIGHT                  | WIDTH             | HEIGHT    |    |
| 1  | 2        | 48"               | 80-81"                  | 24 3/16"          | 77 15/16" | 1  |
| 2  |          | 60"               |                         | 30 3/16"          |           | 2  |
| 3  |          | 72"               |                         | 36 3/16"          |           | 3  |
| 4  |          | 84"               |                         | 42 3/16"          |           | 4  |
| 5  |          | 96"               |                         | 48 3/16"          |           | 5  |
| 6  | 3        | 108"              | 36 3/16"                | 6                 |           |    |
| 7  |          | 120"              | 40 3/16"                | 7                 |           |    |
| 8  |          | 144"              | 48 3/16"                | 8                 |           |    |
| 9  | 4        | 192"              | 48 3/16"                | 9                 |           |    |
| B  | QUANTITY | WIDTH*            | HEIGHT                  | WIDTH             | HEIGHT    | B  |
| 10 | 2        | 48"               | 95 1/2"<br>-<br>96 1/2" | 24 3/16"          | 93 7/16"  | 10 |
| 11 |          | 60"               |                         | 30 3/16"          |           | 11 |
| 12 |          | 72"               |                         | 36 3/16"          |           | 12 |
| 13 |          | 84"               |                         | 42 3/16"          |           | 13 |
| 14 |          | 96"               |                         | 48 3/16"          |           | 14 |
| 15 | 3        | 108"              | 36 3/16"                | 15                |           |    |
| 16 |          | 120"              | 40 3/16"                | 16                |           |    |
| 17 |          | 144"              | 48 3/16"                | 17                |           |    |
| 18 | 4        | 192"              | 48 3/16"                | 18                |           |    |

BOTTOM ROLL

CLOSET

BYPASS FRAMELESS CLOSET DOORS | STEEL

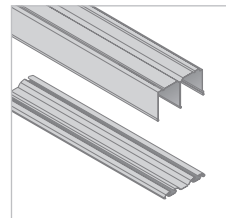
**BY320B**

CUSTOM SIZES AVAILABLE

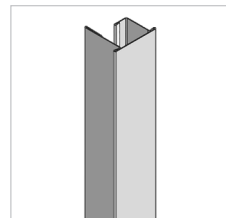
**TRACK TYPE**

Bottom Roll

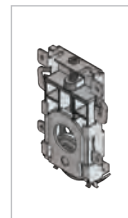
\*Adjustment of +0" to -4" on width



TRACKS | BOTTOM ROLL



EDGE GUARD FRAMELESS



BOTTOM ROLLER



TOP GUIDE

**FEATURES**

- Easy-Glide hardware allow doors to travel effortlessly
- Easy to maintain, Safety-Shield backed clear mirror inserts with 1/2" beveled edges
- Adjustable Quick-Click guides correct out-of-square door openings improving installation appearance and operation
- Low profile Invisi-Track provides a hazard-free opening that allows for easy cleaning and smooth traveling doors
- Slimline steel frame with clear pull adhered to mirror panel
- Bottom roll sliding system with Quick-Click Anti-Jump Connector that ensures doors do not disengage from the track
- Edgeguard frameless frame

**BYPASS FRAMELESS CLOSET DOORS | STEEL - BOTTOM ROLL**

BOTTOM ROLL

CLOSET

BYPASS FRAMELESS CLOSET DOORS | STEEL



BY320P

**EDGE GUARD  
DECOR FINISH**

Bright White



| A | PRODUCT NUMBER    |
|---|-------------------|
| 1 | BY320PBWCLC048080 |
| 2 | BY320PBWCLC060080 |
| 3 | BY320PBWCLC072080 |
| 4 | BY320PBWCLC084080 |
| 5 | BY320PBWCLC096080 |
| 6 | BY320PBWCLC108080 |
| 7 | BY320PBWCLC120080 |
| 8 | BY320PBWCLC144080 |
| 9 | BY320PBWCLC192080 |

| B  | PRODUCT NUMBER    |
|----|-------------------|
| 10 | BY320PBWCLC048096 |
| 11 | BY320PBWCLC060096 |
| 12 | BY320PBWCLC072096 |
| 13 | BY320PBWCLC084096 |
| 14 | BY320PBWCLC096096 |
| 15 | BY320PBWCLC108096 |
| 16 | BY320PBWCLC120096 |
| 17 | BY320PBWCLC144096 |
| 18 | BY320PBWCLC192096 |

**INSERT MATERIAL**

Clear Mirror, Polished Edge



BY320P

**EDGE GUARD  
DECOR FINISH**

Satin Gold



| A | PRODUCT NUMBER    |
|---|-------------------|
| 1 | BY320PSGCLC048080 |
| 2 | BY320PSGCLC060080 |
| 3 | BY320PSGCLC072080 |
| 4 | BY320PSGCLC084080 |
| 5 | BY320PSGCLC096080 |
| 6 | BY320PSGCLC108080 |
| 7 | BY320PSGCLC120080 |
| 8 | BY320PSGCLC144080 |
| 9 | BY320PSGCLC192080 |

| B  | PRODUCT NUMBER    |
|----|-------------------|
| 10 | BY320PSGCLC048096 |
| 11 | BY320PSGCLC060096 |
| 12 | BY320PSGCLC072096 |
| 13 | BY320PSGCLC084096 |
| 14 | BY320PSGCLC096096 |
| 15 | BY320PSGCLC108096 |
| 16 | BY320PSGCLC120096 |
| 17 | BY320PSGCLC144096 |
| 18 | BY320PSGCLC192096 |

**INSERT MATERIAL**

Clear Mirror, Polished Edge



**BY320P**

The Model **BY320P** features **polished edge** 3mm distortion-free infinity mirror with Safety-Shield Backing to strengthen the glass and minimize risk of injury. The mirror panels are encased with a Slimline Edgeguard frame in your choice of finishes.

**BY320(P) = POLISHED**

Bypass  
Bottom Roll  
Closet Door  
Installation  
Instructions



Android users please refer to your owners manual



## BYPASS FRAMELESS CLOSET DOORS | STEEL - BOTTOM ROLL

| A  | PANELS   | FINISHED OPENINGS |                         | ACTUAL PANEL SIZE |           | A     |
|----|----------|-------------------|-------------------------|-------------------|-----------|-------|
|    | QUANTITY | WIDTH*            | HEIGHT                  | WIDTH             | HEIGHT    |       |
| 1  | 2        | 48"               | 80-81"                  | 24 3/16"          | 77 15/16" | 1     |
| 2  |          | 60"               |                         | 30 3/16"          |           | 2     |
| 3  |          | 72"               |                         | 36 3/16"          |           | 3     |
| 4  |          | 84"               |                         | 42 3/16"          |           | 4     |
| 5  |          | 96"               |                         | 48 3/16"          |           | 5     |
| 6  | 3        | 108"              |                         | 36 3/16"          |           | 6     |
| 7  |          | 120"              |                         | 40 3/16"          |           | 7     |
| 8  |          | 144"              |                         | 48 3/16"          |           | 8     |
| 9  | 4        | 192"              |                         | 48 3/16"          |           | 9     |
| B  | QUANTITY | WIDTH*            |                         | HEIGHT            |           | WIDTH |
| 10 | 2        | 48"               | 95 1/2"<br>-<br>96 1/2" | 24 3/16"          | 93 7/16"  | 10    |
| 11 |          | 60"               |                         | 30 3/16"          |           | 11    |
| 12 |          | 72"               |                         | 36 3/16"          |           | 12    |
| 13 |          | 84"               |                         | 42 3/16"          |           | 13    |
| 14 |          | 96"               |                         | 48 3/16"          |           | 14    |
| 15 | 3        | 108"              |                         | 36 3/16"          |           | 15    |
| 16 |          | 120"              |                         | 40 3/16"          |           | 16    |
| 17 |          | 144"              |                         | 48 3/16"          |           | 17    |
| 18 | 4        | 192"              |                         | 48 3/16"          |           | 18    |

BOTTOM ROLL

CLOSET

BYPASS FRAMELESS CLOSET DOORS | STEEL

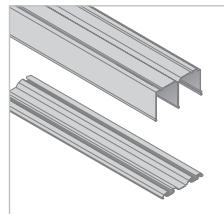
**BY320P**

CUSTOM SIZES AVAILABLE

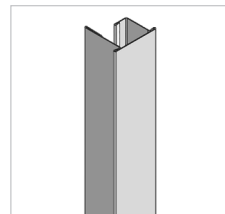
**TRACK TYPE**

Bottom Roll

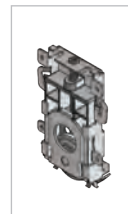
\*Adjustment of +0" to -4" on width



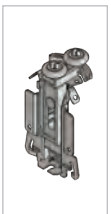
TRACKS | BOTTOM ROLL



EDGEGUARD FRAMELESS



BOTTOMROLLER



TOPGUIDE

**FEATURES**

- Easy-Glide hardware allow doors to travel effortlessly
- Easy to maintain, Safety-Shield backed clear mirror inserts with polished edges
- Adjustable Quick-Click guides correct out-of-square door openings improving installation appearance and operation
- Low profile Invisi-Track provides a hazard-free opening that allows for easy cleaning and smooth traveling doors
- Slimline steel frame with clear pull adhered to mirror panel
- Bottom roll sliding system with Quick-Click Anti-Jump Connector that ensures doors do not disengage from the track
- Edgeguard frameless frame

# BYPASS

**CLO  
SET**

FRAMED MIRROR

CLOSET



## BYPASS FRAMED MIRROR CLOSET DOORS | ALUMINUM

Sliding Bypass Doors are the perfect closet doors for any room. Smoothly rolling from side to side, they give you full access to all of the space in your closet.

Unlike a hinged door, they do not require space to operate. The sleek look of sliding bypass doors conceals clothing and keeps storage out of sight.

Modernize your space and add light by selecting a sliding bypass door built with full length mirrors or select a sliding bypass door that combines wood, glass, and a matching fascia to make your design more dynamic.

| BYPASS CLOSET DOORS |   |      |
|---------------------|---|------|
| ALUMINUM            |   |      |
| MODEL               | DESCRIPTION   | PAGE |
| BY0250              | Bottom Roll Slimline Framed Bypass Aluminum Door System | 74   |

 [Renin.com](http://Renin.com)

 Sales: 1 (888) 752-0427

 Customer Service: 1 (800) 493-5263

**BYPASS FRAMED MIRROR CLOSET DOORS | ALUMINUM - BOTTOM ROLL**



BY0250

**SLIMLINE  
DECOR FINISH**

Satin Chrome



**A PRODUCT NUMBER**

- 1 BY0250C1CLC048080
- 2 BY0250C1CLC060080
- 3 BY0250C1CLC072080
- 4 BY0250C1CLC084080
- 5 BY0250C1CLC096080
- 6 BY0250C1CLC108080
- 7 BY0250C1CLC120080
- 8 BY0250C1CLC144080
- 9 BY0250C1CLC192080

**B PRODUCT NUMBER**

- 10 BY0250C1CLC048096
- 11 BY0250C1CLC060096
- 12 BY0250C1CLC072096
- 13 BY0250C1CLC084096
- 14 BY0250C1CLC096096
- 15 BY0250C1CLC108096
- 16 BY0250C1CLC120096
- 17 BY0250C1CLC144096
- 18 BY0250C1CLC192096

**INSERT MATERIAL**

Clear Mirror



BY0250

**SLIMLINE  
DECOR FINISH**

Bright Chrome



**A PRODUCT NUMBER**

- 1 BY0250C2CLC048080
- 2 BY0250C2CLC060080
- 3 BY0250C2CLC072080
- 4 BY0250C2CLC084080
- 5 BY0250C2CLC096080
- 6 BY0250C2CLC108080
- 7 BY0250C2CLC120080
- 8 BY0250C2CLC144080
- 9 BY0250C2CLC192080

**B PRODUCT NUMBER**

- 10 BY0250C2CLC048096
- 11 BY0250C2CLC060096
- 12 BY0250C2CLC072096
- 13 BY0250C2CLC084096
- 14 BY0250C2CLC096096
- 15 BY0250C2CLC108096
- 16 BY0250C2CLC120096
- 17 BY0250C2CLC144096
- 18 BY0250C2CLC192096

**INSERT MATERIAL**

Clear Mirror



BY0250

**SLIMLINE  
DECOR FINISH**

Bright White



**A PRODUCT NUMBER**

- 1 BY0250W1CLC048080
- 2 BY0250W1CLC060080
- 3 BY0250W1CLC072080
- 4 BY0250W1CLC084080
- 5 BY0250W1CLC096080
- 6 BY0250W1CLC108080
- 7 BY0250W1CLC120080
- 8 BY0250W1CLC144080
- 9 BY0250W1CLC192080

**B PRODUCT NUMBER**

- 10 BY0250W1CLC048096
- 11 BY0250W1CLC060096
- 12 BY0250W1CLC072096
- 13 BY0250W1CLC084096
- 14 BY0250W1CLC096096
- 15 BY0250W1CLC108096
- 16 BY0250W1CLC120096
- 17 BY0250W1CLC144096
- 18 BY0250W1CLC192096

**INSERT MATERIAL**

Clear Mirror

BOTTOM ROLL CLOSET

BYPASS FRAMED MIRROR CLOSET DOORS | ALUMINUM

**BYPASS FRAMED MIRROR CLOSET DOORS | ALUMINUM - BOTTOM ROLL**

| A  | PANELS   | FINISHED OPENINGS |                         | ACTUAL PANEL SIZE |           | A  |
|----|----------|-------------------|-------------------------|-------------------|-----------|----|
|    | QUANTITY | WIDTH*            | HEIGHT                  | WIDTH             | HEIGHT    |    |
| 1  | 2        | 48"               | 80-81"                  | 24 3/16"          | 77 15/16" | 1  |
| 2  |          | 60"               |                         | 30 3/16"          |           | 2  |
| 3  |          | 72"               |                         | 36 3/16"          |           | 3  |
| 4  |          | 84"               |                         | 42 3/16"          |           | 4  |
| 5  |          | 96"               |                         | 48 3/16"          |           | 5  |
| 6  | 3        | 108"              |                         | 36 3/16"          |           | 6  |
| 7  |          | 120"              |                         | 40 3/16"          |           | 7  |
| 8  |          | 144"              |                         | 48 3/16"          |           | 8  |
| 9  | 4        | 192"              |                         | 48 3/16"          |           | 9  |
| B  | QUANTITY | WIDTH*            | HEIGHT                  | WIDTH             | HEIGHT    | B  |
| 10 | 2        | 48"               | 95 1/2"<br>-<br>96 1/2" | 24 3/16"          | 93 7/16"  | 10 |
| 11 |          | 60"               |                         | 30 3/16"          |           | 11 |
| 12 |          | 72"               |                         | 36 3/16"          |           | 12 |
| 13 |          | 84"               |                         | 42 3/16"          |           | 13 |
| 14 |          | 96"               |                         | 48 3/16"          |           | 14 |
| 15 | 3        | 108"              |                         | 36 3/16"          |           | 15 |
| 16 |          | 120"              |                         | 40 3/16"          |           | 16 |
| 17 |          | 144"              |                         | 48 3/16"          |           | 17 |
| 18 | 4        | 192"              |                         | 48 3/16"          |           | 18 |

BOTTOM ROLL

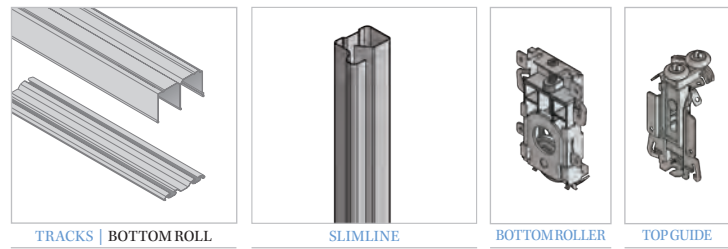
CLOSET

BYPASS FRAMED MIRROR CLOSET DOORS | ALUMINUM

**BY0250** CUSTOM SIZES AVAILABLE

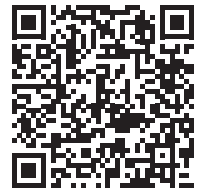
**TRACK TYPE**  
Bottom Roll

\*Adjustment of +0" to -4" on width



- Easy-Glide hardware allow doors to travel effortlessly
- Easy to maintain, Safety-Shield backed clear mirror panels
- Adjustable Quick-Click guides correct out-of-square door openings improving installation appearance and operation
- Low profile Invisi-Track provides a hazard-free opening that allows for easy cleaning and smooth traveling doors
- Slimline aluminum frame with integrated handle design
- Bottom roll sliding system with Quick-Click Anti-Jump Connector that ensures doors do not disengage from the track

Bypass Bottom Roll Closet Door Installation Instructions



Android users please refer to your owners manual

BIFOLD

CLO  
SET

FRAMELESS

CLOSET



## BIFOLD FRAMELESS CLOSET DOORS | STEEL

A sliding bifold door system, most commonly used as a closet door, makes opening and closing your closet effortless even if you're half asleep!


Sleek and unobtrusive, our sliding bifold door systems are available with two or four panels that fold up to maximize your opening.

You'll have the flexibility to present your closet in different ways, depending on how much you want to reveal, without compromising your style or the space in your closet.

We make it easy to slide sophistication across your closet with sliding bifold doors.

| BIFOLD CLOSET DOORS |   |      |
|---------------------|---|------|
| STEEL               |   |      |
| MODEL               | DESCRIPTION                                   | PAGE |
| BI321B              | Edgeguard Frameless Mirror Bifold Door System | 78   |
| BI321P              | Edgeguard Frameless Mirror Bifold Door System | 80   |

 [Renin.com](http://Renin.com)

 Sales: 1 (888) 752-0427

 Customer Service: 1 (800) 493-5263

**BIFOLD FRAMELESS CLOSET DOORS | STEEL**

BI321B



EDGE GUARD  
FRAMELESS STILE

DECOR FINISH

Arctic Silver



**A PRODUCT NUMBER**

- 1 BI321BASCLC024080
- 2 BI321BASCLC030080
- 3 BI321BASCLC036080
- 4 BI321BASCLC048080
- 5 BI321BASCLC060080
- 6 BI321BASCLC072080

**B PRODUCT NUMBER**

- 7 BI321BASCLC024096
- 8 BI321BASCLC030096
- 9 BI321BASCLC036096
- 10 BI321BASCLC048096
- 11 BI321BASCLC060096
- 12 BI321BASCLC072096

INSERT MATERIAL

Clear Mirror, Beveled Edge

BI321B



EDGE GUARD  
FRAMELESS STILE

DECOR FINISH

Bright White



**A PRODUCT NUMBER**

- 1 BI321BBWCLC024080
- 2 BI321BBWCLC030080
- 3 BI321BBWCLC036080
- 4 BI321BBWCLC048080
- 5 BI321BBWCLC060080
- 6 BI321BBWCLC072080

**B PRODUCT NUMBER**

- 7 BI321BBWCLC024096
- 8 BI321BBWCLC030096
- 9 BI321BBWCLC036096
- 10 BI321BBWCLC048096
- 11 BI321BBWCLC060096
- 12 BI321BBWCLC072096

INSERT MATERIAL

Clear Mirror, Beveled Edge

BI321B



The Model **BI321B** features 1/2" **beveled edge** 3mm distortion-free infinity mirror with Safety-Shield Backing to strengthen the glass and minimize risk of injury. The mirror panels are encased with a Slimline Edgeguard frame in your choice of finishes.

**BI321(B) = BEVELED**

Bifold  
Closet Door  
Installation  
Instructions



Android users please refer to your owners manual

BIFOLD FRAMELESS CLOSET DOORS | STEEL CLOSET



## BIFOLD FRAMELESS CLOSET DOORS | STEEL

| A  | PANELS   | FINISHED OPENINGS |                     | ACTUAL PANEL SIZE |         | A      |
|----|----------|-------------------|---------------------|-------------------|---------|--------|
|    | QUANTITY | WIDTH*            | HEIGHT              | WIDTH             | HEIGHT  |        |
| 1  | 2        | 24"               | 80 1/4"<br>-<br>81" | 23 1/2"           | 78 1/2" | 1      |
| 2  |          | 30"               |                     | 29 1/2"           |         | 2      |
| 3  |          | 36"               |                     | 35 1/2"           |         | 3      |
| 4  | 4        | 48"               |                     | 23 1/2"           |         | 4      |
| 5  |          | 60"               |                     | 29 1/2"           |         | 5      |
| 6  |          | 72"               |                     | 35 1/2"           |         | 6      |
| B  |          | QUANTITY          | WIDTH*              | HEIGHT            | WIDTH   | HEIGHT |
| 7  | 2        | 24"               | 96 1/4"<br>-<br>97" | 23 1/2"           | 94"     | 7      |
| 8  |          | 30"               |                     | 29 1/2"           |         | 8      |
| 9  |          | 36"               |                     | 35 1/2"           |         | 9      |
| 10 | 4        | 48"               |                     | 23 1/2"           |         | 10     |
| 11 |          | 60"               |                     | 29 1/2"           |         | 11     |
| 12 |          | 72"               |                     | 35 1/2"           |         | 12     |

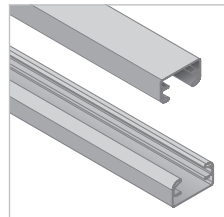
### CUSTOM SIZES AVAILABLE

#### BI321B

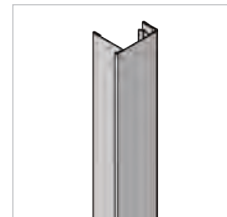
#### TRACK TYPE

Bottom

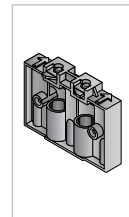
\*Adjustment of +0" to -4" on width



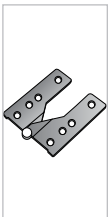
TRACKS



SLIMLINE



CORNERBLOCK



HINGE

### FEATURES

- Easy-Roll connector results in less friction on the track for smoother travel
- Easy to maintain, framed Safety-Shield backed clear mirror inserts with 1/2" beveled edges
- Increased adjustability for out-of-square door openings improves door appearance and operation
- Low profile, direct floor-mounted and pre-drilled bottom track for quick installation and easy clean
- A metal pull attached to the stile of the jamb door is used to operate the door
- Edgeguard frameless protects mirror from possible damage
- Offset pivot action creates an additional 4" for more complete access to your closet or space

**BIFOLD FRAMELESS CLOSET DOORS | STEEL**



BI321P

EDGE GUARD  
FRAMELESS STILE

DECOR FINISH

Arctic Silver



**A PRODUCT NUMBER**

- 1 BI321PASCLC024080
- 2 BI321PASCLC030080
- 3 BI321PASCLC036080
- 4 BI321PASCLC048080
- 5 BI321PASCLC060080
- 6 BI321PASCLC072080

**B PRODUCT NUMBER**

- 7 BI321PASCLC024096
- 8 BI321PASCLC030096
- 9 BI321PASCLC036096
- 10 BI321PASCLC048096
- 11 BI321PASCLC060096
- 12 BI321PASCLC072096

INSERT MATERIAL

Clear Mirror, Polished Edge



BI321P

EDGE GUARD  
FRAMELESS STILE

DECOR FINISH

Bright White



**A PRODUCT NUMBER**

- 1 BI321PBWCLC024080
- 2 BI321PBWCLC030080
- 3 BI321PBWCLC036080
- 4 BI321PBWCLC048080
- 5 BI321PBWCLC060080
- 6 BI321PBWCLC072080

**B PRODUCT NUMBER**

- 7 BI321PBWCLC024096
- 8 BI321PBWCLC030096
- 9 BI321PBWCLC036096
- 10 BI321PBWCLC048096
- 11 BI321PBWCLC060096
- 12 BI321PBWCLC072096

INSERT MATERIAL

Clear Mirror, Polished Edge



BI321P

The Model **BI321P** features **polished edge** 3mm distortion-free infinity mirror with Safety-Shield Backing to strengthen the glass and minimize risk of injury. The mirror panels are encased with a Slimline Edgeguard frame in your choice of finishes.

BI321(P) = POLISHED

Bifold  
Closet Door  
Installation  
Instructions



Android users please refer to your owners manual

CLOSET

BIFOLD FRAMELESS CLOSET DOORS | STEEL

## BIFOLD FRAMELESS CLOSET DOORS | STEEL

| A  | PANELS   | FINISHED OPENINGS |                     | ACTUAL PANEL SIZE |         | A      |
|----|----------|-------------------|---------------------|-------------------|---------|--------|
|    | QUANTITY | WIDTH*            | HEIGHT              | WIDTH             | HEIGHT  |        |
| 1  | 2        | 24"               | 80 1/4"<br>-<br>81" | 23 1/2"           | 78 1/2" | 1      |
| 2  |          | 30"               |                     | 29 1/2"           |         | 2      |
| 3  |          | 36"               |                     | 35 1/2"           |         | 3      |
| 4  | 4        | 48"               |                     | 23 1/2"           |         | 4      |
| 5  |          | 60"               |                     | 29 1/2"           |         | 5      |
| 6  |          | 72"               |                     | 35 1/2"           |         | 6      |
| B  |          | QUANTITY          | WIDTH*              | HEIGHT            | WIDTH   | HEIGHT |
| 7  | 2        | 24"               | 96 1/4"<br>-<br>97" | 23 1/2"           | 94"     | 7      |
| 8  |          | 30"               |                     | 29 1/2"           |         | 8      |
| 9  |          | 36"               |                     | 35 1/2"           |         | 9      |
| 10 | 4        | 48"               |                     | 23 1/2"           |         | 10     |
| 11 |          | 60"               |                     | 29 1/2"           |         | 11     |
| 12 |          | 72"               |                     | 35 1/2"           |         | 12     |

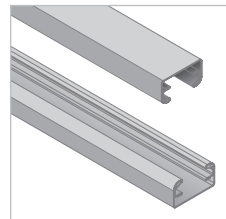
### CUSTOM SIZES AVAILABLE

#### BI321P

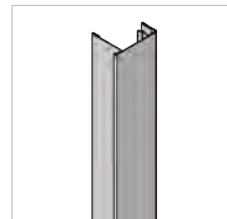
##### TRACK TYPE

Bottom

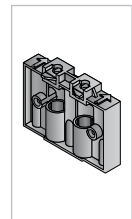
\*Adjustment of +0" to -4" on width



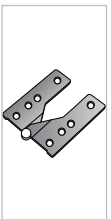
TRACKS



SLIMLINE



CORNERBLOCK



HINGE

### FEATURES

- Easy-Roll connector results in less friction on the track for smoother travel
- Easy to maintain, framed Safety-Shield backed clear mirror inserts with polished edges
- Increased adjustability for out-of-square door openings improves door appearance and operation
- Low profile, direct floor-mounted and pre-drilled bottom track for quick installation and easy clean
- A metal pull attached to the stile is used to operate the door
- Edgeguard frameless protects mirror from possible damage
- Offset pivot action creates an additional 4" for more complete access to your closet or space

BYPASS

CLO  
SET

DOORS

CLOSET

## URBAN & EURO COLLECTION BYPASS CLOSET DOOR SYSTEM

Modernize your space and add light by selecting a sliding bypass door built with full length mirrors or select a sliding bypass door that combines wood, glass, and a matching fascia to make your design more dynamic.

With its sleek and contemporary style the Renin closet door systems delivers space efficiency and improved visibility of the contents of your closet. Factory finished door kits include hardware and are ready to install.

Sometimes, what's within your closet needs a bit of covering up. What better way to do that than with a closet door to steal all of the attention?

| <b>NEW URBAN BYPASS CLOSET DOORS</b> |   |             |
|--------------------------------------|---|-------------|
| <b>ENGINEERED WOOD</b>               |   |             |
| <b>MODEL</b>                         | <b>DESCRIPTION</b>  | <b>PAGE</b> |
| EU3290                               | <b>NEW</b> Urban Collection Trident K-Brace Silver Oak Bypass Door System | 84          |
| EU3295                               | <b>NEW</b> Urban Collection Trident K-Brace Pure White Bypass Door System |             |
| EU3265                               | <b>NEW</b> Urban Collection Lace Bright White Bypass Door System          |             |
| <b>EURO BYPASS CLOSET DOORS</b>      |   |             |
| <b>ENGINEERED WOOD</b>               |   |             |
| <b>MODEL</b>                         | <b>DESCRIPTION</b>  | <b>PAGE</b> |
| EU2010                               | Euro Collection 1-Lite Frosted Glass Off-White Bypass Door System         | 86          |
| EU2030                               | Euro Collection 3-Lite Frosted Glass Off-White Bypass Door System         |             |
| EU2450                               | Euro Collection 1-Lite Frosted Glass Iron Age Bypass Door System          | 88          |
| EU2460                               | Euro Collection 3-Lite Frosted Glass Iron Age Bypass Door System          |             |
| EU2470                               | Euro Collection 5-Lite Frosted Glass Iron Age Bypass Door System          |             |

[Renin.com](http://Renin.com)

Sales: 1 (888) 752-0427

Customer Service: 1 (800) 493-5263

**NEW** URBAN COLLECTION BYPASS CLOSET DOOR SYSTEM



**EU3290**  
**TRIDENT | K-BRACE**  
**DECOR FINISH**

Silver Oak 

| A | PRODUCT NUMBER    |
|---|-------------------|
| 1 | EU3290SVSVE048080 |
| 2 | EU3290SVSVE060080 |
| 3 | EU3290SVSVE072080 |

**SURFACE**  
Smooth Wood Grain Look Decor



**EU3295**  
**TRIDENT | K-BRACE**  
**DECOR FINISH**

Pure White

| A | PRODUCT NUMBER    |
|---|-------------------|
| 1 | EU3295PWPWE048080 |
| 2 | EU3295PWPWE060080 |
| 3 | EU3295PWPWE072080 |

**SURFACE**  
Smooth Wood Grain Look Decor



**EU3265**  
**LACE | MIRROR**  
**DECOR FINISH**

Bright White

| A | PRODUCT NUMBER    |
|---|-------------------|
| 1 | EU3265PWCLE048080 |
| 2 | EU3265PWCLE060080 |
| 3 | EU3265PWCLE072080 |

**SURFACE**  
Textured Wood Grain Look Decor

Bypass Laminated Frame Closet Door Installation Instructions



*Android users please refer to your owners manual*

NEW CLOSET

URBAN COLLECTION BYPASS CLOSET DOOR SYSTEM

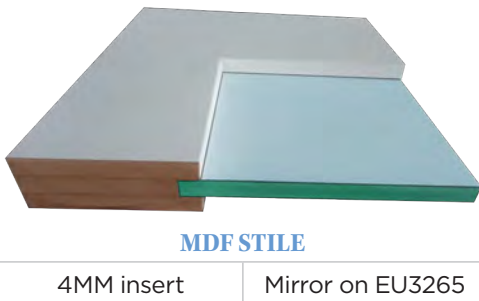
**NEW** URBAN COLLECTION BYPASS CLOSET DOOR SYSTEM

| A | PANELS   | FINISHED OPENINGS |               | ACTUAL PANEL SIZE |         | A |
|---|----------|-------------------|---------------|-------------------|---------|---|
|   | QUANTITY | WIDTH             | HEIGHT        | WIDTH             | HEIGHT  |   |
| 1 | 2        | 48"               | 80 1/8" - 81" | 25"               | 78 5/8" | 1 |
| 2 |          | 60"               |               | 31"               |         | 2 |
| 3 |          | 72"               |               | 37"               |         | 3 |

|        |        |        |
|--------|--------|--------|
| EU3290 | EU3295 | EU3265 |
|--------|--------|--------|

**TRACK TYPE**

Double J track with dial adjust hanger hardware



**FEATURES**

- Dial-Adjust roller hardware allow doors to lift and hook onto the top roll track system for fast installation
- Prefinished decor finish doors saves time and money with no painting, staining or mess to clean up
- High quality engineered wood construction featuring a durable scratch-resistant finish
- Trackless door design provides hazard-free opening that allows for easy cleaning and smooth traveling
- Includes matching fascia to complete the overall look of your room or space
- Cannot be painted, stained or cut

## EURO COLLECTION BYPASS CLOSET DOOR SYSTEM

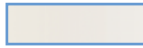
EU2010



1-LITE | FROSTED GLASS

DECOR FINISH

Off-White



**A** PRODUCT NUMBER

- |   |                   |
|---|-------------------|
| 1 | EU2010BWFGE048080 |
| 2 | EU2010BWFGE060080 |
| 3 | EU2010BWFGE072080 |

SURFACE

Smooth Painted Look Decor

EU2030



3-LITE | FROSTED GLASS

DECOR FINISH

Off-White



**A** PRODUCT NUMBER

- |   |                   |
|---|-------------------|
| 1 | EU2030BWFGE048080 |
| 2 | EU2030BWFGE060080 |
| 3 | EU2030BWFGE072080 |

SURFACE

Smooth Painted Look Decor

EU2010



Bypass  
Laminated Frame  
Closet Door  
Installation  
Instructions



*Android users please refer to your owners manual*



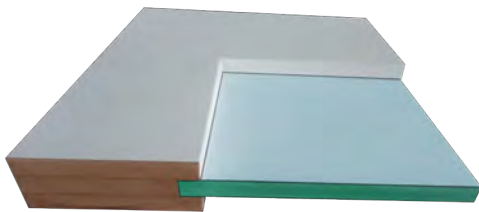
## EURO COLLECTION BYPASS CLOSET DOOR SYSTEM

| A | PANELS   | FINISHED OPENINGS |               | ACTUAL PANEL SIZE |         | A |
|---|----------|-------------------|---------------|-------------------|---------|---|
|   | QUANTITY | WIDTH             | HEIGHT        | WIDTH             | HEIGHT  |   |
| 1 | 2        | 48"               | 80 1/8" - 81" | 25"               | 78 5/8" | 1 |
| 2 |          | 60"               |               | 31"               |         | 2 |
| 3 |          | 72"               |               | 37"               |         | 3 |

|        |        |
|--------|--------|
| EU2010 | EU2030 |
|--------|--------|

### TRACK TYPE

Double J track with dial adjust hanger hardware



**MDF STILE**

4MM insert

Frosted Glass



**BYPASS HARDWARE**

### FEATURES

- Dial-Adjust hanger hardware allow doors to lift and hook onto the double J track system for fast installation
- Prefinished doors saves time and money with no painting, staining or mess to clean up
- High quality engineered wood construction featuring a durable scratch-resistant finish
- 1-Lite and 3-Lite 4mm tempered frosted glass provides strength, rigidity and contemporary look
- Includes matching fascia to complete the overall look of your room or space
- Cannot be painted, stained or cut

## EURO COLLECTION BYPASS CLOSET DOOR SYSTEM



EU2450

1-LITE | FROSTED GLASS

DECOR FINISH

Iron Age



**A** PRODUCT NUMBER

|   |                   |
|---|-------------------|
| 1 | EU2450IAFGE048080 |
| 2 | EU2450IAFGE060080 |
| 3 | EU2450IAFGE072080 |

SURFACE

Smooth Wood Grain Look Decor



EU2460

3-LITE | FROSTED GLASS

DECOR FINISH

Iron Age



**A** PRODUCT NUMBER

|   |                   |
|---|-------------------|
| 1 | EU2460IAFGE048080 |
| 2 | EU2460IAFGE060080 |
| 3 | EU2460IAFGE072080 |

SURFACE

Smooth Wood Grain Look Decor



EU2470

5-LITE | FROSTED GLASS

DECOR FINISH

Iron Age



**A** PRODUCT NUMBER

|   |                   |
|---|-------------------|
| 1 | EU2470IAFGE048080 |
| 2 | EU2470IAFGE060080 |
| 3 | EU2470IAFGE072080 |

SURFACE

Smooth Wood Grain Look Decor

Bypass  
Laminated Frame  
Closet Door  
Installation  
Instructions



Android users please refer to your owners manual

CLOSET  
EURO COLLECTION BYPASS CLOSET DOOR SYSTEM

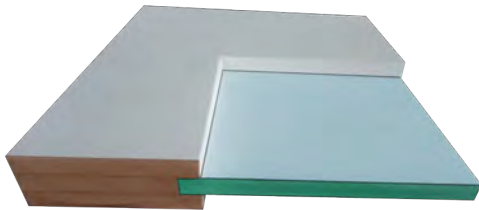
## EURO COLLECTION BYPASS CLOSET DOOR SYSTEM

| A | PANELS   | FINISHED OPENINGS |               | ACTUAL PANEL SIZE |         | A |
|---|----------|-------------------|---------------|-------------------|---------|---|
|   | QUANTITY | WIDTH             | HEIGHT        | WIDTH             | HEIGHT  |   |
| 1 | 2        | 48"               | 80 1/8" - 81" | 25"               | 78 5/8" | 1 |
| 2 |          | 60"               |               | 31"               |         | 2 |
| 3 |          | 72"               |               | 37"               |         | 3 |

|        |        |        |
|--------|--------|--------|
| EU2450 | EU2460 | EU2470 |
|--------|--------|--------|

### TRACK TYPE

Double J track with dial adjust hanger hardware



**MDF STILE**

|            |               |
|------------|---------------|
| 4MM insert | Frosted Glass |
|------------|---------------|



**BYPASS HARDWARE**

### FEATURES

- Dial-Adjust roller hardware allow doors to lift and hook onto the top roll track system for fast installation
- Prefinished Iron Age decor finish doors saves time and money with no painting, staining or mess to clean up
- High quality engineered wood construction featuring a durable scratch-resistant finish
- 1-Lite, 3-Lite, and 5-Lite 4mm tempered frosted glass provides strength, rigidity and contemporary look
- Includes matching fascia to complete the overall look of your room or space
- Cannot be painted, stained or cut

BIFOLD

**CLO  
SET**

DOORS

CLOSET



## EURO COLLECTION BIFOLD CLOSET DOOR SYSTEM

You'll have the flexibility to present your closet in different ways, depending on how much you want to reveal, without compromising your style or the space in your closet.

We make it easy to slide sophistication across your closet with sliding bifold doors.

With its sleek and contemporary style the Renin closet door systems delivers space efficiency and improved visibility of the contents of your closet. Factory finished door kits include hardware and are ready to install.

Sometimes, what's within your closet needs a bit of covering up. What better way to do that than with a closet door to steal all of the attention?

| BIFOLD CLOSET DOORS |   |      |
|---------------------|---|------|
| ENGINEERED WOOD     |   |      |
| MODEL               | DESCRIPTION   | PAGE |
| EU3010              | Euro Collection 1-Lite Frosted Glass Off-White Bifold Door System | 92   |
| EU3080              | Euro Collection 3-Lite Frosted Glass Off-White Bifold Door System |      |
| EU3110              | Euro Collection 1-Lite Frosted Glass Iron Age Bifold Door System  |      |
| EU3150              | Euro Collection 3-Lite Frosted Glass Iron Age Bifold Door System  |      |

 [Renin.com](http://Renin.com)

 Sales: 1 (888) 752-0427

 Customer Service: 1 (800) 493-5263

## EURO COLLECTION BIFOLD DOOR SYSTEM

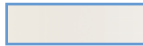
EU3010



1-LITE | FROSTED GLASS

DECOR FINISH

Off-White



**A** PRODUCT NUMBER

- |   |                   |
|---|-------------------|
| 1 | EU3010BWFGE024080 |
| 2 | EU3010BWFGE030080 |
| 3 | EU3010BWFGE036080 |

SURFACE

Smooth Painted Look Decor

EU3080



3-LITE | FROSTED GLASS

DECOR FINISH

Off-White



**A** PRODUCT NUMBER

- |   |                   |
|---|-------------------|
| 1 | EU3080BWFGE024080 |
| 2 | EU3080BWFGE030080 |
| 3 | EU3080BWFGE036080 |

SURFACE

Smooth Painted Look Decor

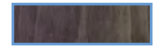
EU3110



1-LITE | FROSTED GLASS

DECOR FINISH

Iron Age



**A** PRODUCT NUMBER

- |   |                   |
|---|-------------------|
| 1 | EU3110IAFGE024080 |
| 2 | EU3110IAFGE030080 |
| 3 | EU3110IAFGE036080 |

SURFACE

Smooth Wood Grain Look Decor

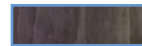
EU2450



3-LITE | FROSTED GLASS

DECOR FINISH

Iron Age



**A** PRODUCT NUMBER

- |   |                   |
|---|-------------------|
| 1 | EU3150IAFGE024080 |
| 2 | EU3150IAFGE030080 |
| 3 | EU3150IAFGE036080 |

SURFACE

Smooth Wood Grain Look Decor

Bifold Laminated Frame Closet Door Installation Instructions



Android users please refer to your owners manual

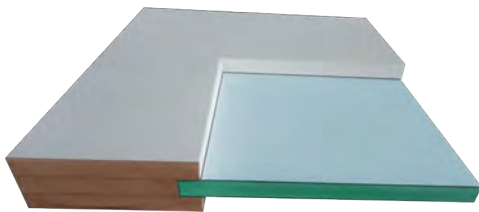
## EURO COLLECTION BIFOLD DOOR SYSTEM

| A | PANELS   | FINISHED OPENINGS |           | ACTUAL PANEL SIZE |           | A |
|---|----------|-------------------|-----------|-------------------|-----------|---|
|   | QUANTITY | WIDTH             | HEIGHT    | WIDTH             | HEIGHT    |   |
| 1 | 2        | 23 3/4" - 24"     | 80 3/16"  | 23 3/4"           | 77 15/16" | 1 |
| 2 |          | 29 3/4" - 30"     |           | 29 3/4"           |           | 2 |
| 3 |          | 35 3/4" - 36"     | 81 15/16" | 35 3/4"           |           | 3 |

|        |        |        |        |
|--------|--------|--------|--------|
| EU3010 | EU3080 | EU3110 | EU2450 |
|--------|--------|--------|--------|

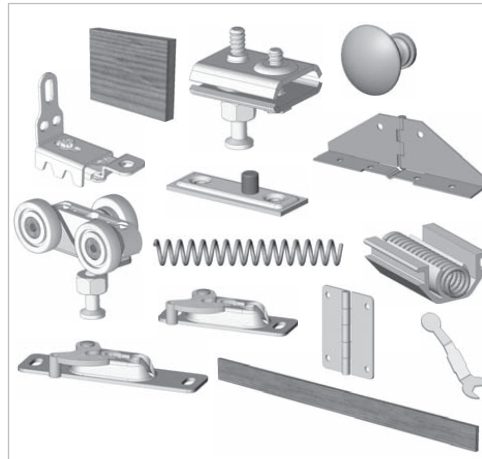
### TRACK TYPE

Single track mini three-wheel connector



MDF STILE

|            |               |
|------------|---------------|
| 4MM insert | Frosted Glass |
|------------|---------------|



BIFOLD HARDWARE

### FEATURES

- Sliding mini three-wheel connector results in less friction on the track for smoother travel
- Prefinished decor finish doors saves time and money with no painting, staining or mess to clean up
- High quality engineered wood construction featuring a durable scratch-resistant finish
- 1-Lite to 3-Lite 4mm tempered frosted glass provides strength, rigidity and contemporary look
- Includes matching fascia to complete the overall look of your room or space
- Includes a round knob pull in satin nickel finish to easily open and close your doors
- Cannot be painted, stained or cut

PIVOT

CLO  
SET

DOORS

CLOSET





## URBAN & EURO COLLECTION PIVOT CLOSET DOOR SYSTEM

Need to install a door into an existing opening but want to avoid installing hinges or messing with the door jamb? Pivot doors are the perfect solution, offering a complete opening of your closet entrance and the ability to select mirror, glass or traditional panel inserts to make it your own.

An offset pivot and adjustability means a smooth open and close every time. With the support of reliable pivot hardware and a team of designers behind you, Renin's Pivot Doors are a seamless, subtle upgrade.

| <b>NEW URBAN TRACKLESS PIVOT CLOSET DOORS</b> |  |             |
|---|--|-------------|
| <b>ENGINEERED WOOD</b>                        |  |             |
| <b>MODEL</b>                                  | <b>DESCRIPTION</b>   | <b>PAGE</b> |
| PV3340  | <b>NEW</b> Urban Collection Provincial 8-Lite Pure White Pivot Door System | 96          |
| PV3330  | <b>NEW</b> Urban Collection Crochet Graphite Gray Pivot Door System        |             |

| <b>EURO TRACKLESS PIVOT CLOSET DOORS</b> |  |             |
|--|--|-------------|
| <b>ENGINEERED WOOD</b>                   |  |             |
| <b>MODEL</b>                             | <b>DESCRIPTION</b>   | <b>PAGE</b> |
| PV5401                                   | Euro Collection 1-Lite Frosted Glass Off-White Pivot Door System | 98          |
| PV5402                                   | Euro Collection 3-Lite Frosted Glass Off-White Pivot Door System |             |

 [Renin.com](http://Renin.com)

 Sales: 1 (888) 752-0427

 Customer Service: 1 (800) 493-5263

**NEW** URBAN COLLECTION PIVOT DOOR SYSTEM



**PV3340**  
8-LITE | FROSTED GLASS  
DECOR FINISH

Pure White

| A | PRODUCT NUMBER    |
|---|-------------------|
| 1 | PV3340PWFGE048080 |
| 2 | PV3340PWFGE060080 |
| 3 | PV3340PWFGE072080 |

**SURFACE**  
Textured Wood Look Decor



**PV3330**  
CROCHET | FROSTED GLASS  
DECOR FINISH

Graphite Gray

| A | PRODUCT NUMBER    |
|---|-------------------|
| 1 | PV3330GGFGE048080 |
| 2 | PV3330GGFGE060080 |
| 3 | PV3330GGFGE072080 |

**SURFACE**  
Smooth Wood Look Decor



**PV3340**

Pivot Laminated Frame Closet Door Installation Instructions

*Android users please refer to your owners manual*

CLOSET NEW

URBAN COLLECTION PIVOT DOOR SYSTEM

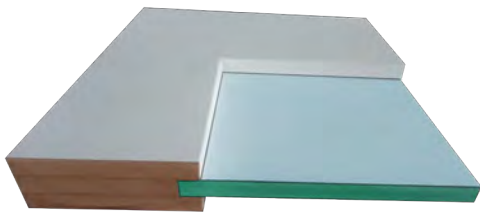
**NEW** URBAN COLLECTION PIVOT DOOR SYSTEM

| A | PANELS   | FINISHED OPENINGS |         | ACTUAL PANEL SIZE |         | A |
|---|----------|-------------------|---------|-------------------|---------|---|
|   | QUANTITY | WIDTH             | HEIGHT  | WIDTH             | HEIGHT  |   |
| 1 | 2        | 48"               | 80 1/4" | 23 3/4"           | 77 3/4" | 1 |
| 2 |          | 60"               |         | 29 3/4"           |         | 2 |
| 3 |          | 72"               | 80 3/4" | 35 3/4"           |         | 3 |

|        |        |
|--------|--------|
| PV3340 | PV3330 |
|--------|--------|

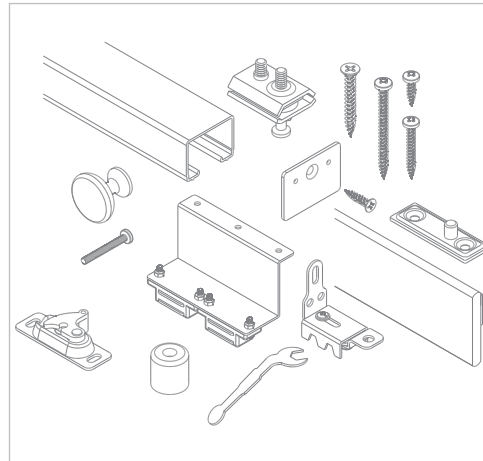
**TRACK TYPE**

Top Track with Pivot



**MDF STILE**

|            |               |
|------------|---------------|
| 4MM insert | Frosted Glass |
|------------|---------------|



**EURO PIVOT HARDWARE**

**FEATURES**

- Top and bottom pivot connectors allow doors to swing open providing more access space
- Prefinished decor finish doors saves time and money with no painting, staining or mess to clean up
- High quality engineered wood construction featuring a durable scratch-resistant finish
- Includes matching fascia to complete the overall look of your room or space
- Includes a set of round knob pulls in satin nickel finish to easily open and close your doors
- Cannot be painted, stained or cut

**NEW**  
**CLOSET**

URBAN COLLECTION PIVOT DOOR SYSTEM

## EURO COLLECTION PIVOT DOOR SYSTEM

PV5401



1-LITE | FROSTED GLASS

DECOR FINISH

Off-White



**A** PRODUCT NUMBER

- 1 PV5401BWFGC024080
- 2 PV5401BWFGC030080
- 3 PV5401BWFGC036080

SURFACE

Smooth Painted Look Decor

PV5402



3-LITE | FROSTED GLASS

DECOR FINISH

Off-White



**A** PRODUCT NUMBER

- 1 PV5402BWFGC024080
- 2 PV5402BWFGC030080
- 3 PV5402BWFGC036080

SURFACE

Smooth Painted Look Decor

PV5401



Pivot  
Laminated Frame  
Closet Door  
Installation  
Instructions



Android users please refer  
to your owners manual

EURO COLLECTION PIVOT DOOR SYSTEM CLOSET

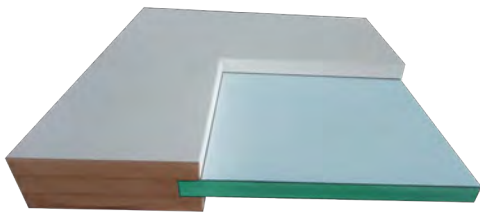
## EURO COLLECTION PIVOT DOOR SYSTEM

| A | PANELS   | FINISHED OPENINGS |                                    | ACTUAL PANEL SIZE |                                    | A |
|---|----------|-------------------|------------------------------------|-------------------|------------------------------------|---|
|   | QUANTITY | WIDTH             | HEIGHT                             | WIDTH             | HEIGHT                             |   |
| 1 | 2        | 24"               | 80 <sup>3</sup> / <sub>16</sub> "  | 23 3/4"           | 77 <sup>15</sup> / <sub>16</sub> " | 1 |
| 2 |          | 30"               |                                    | 29 3/4"           |                                    | 2 |
| 3 |          | 36"               | 81 <sup>15</sup> / <sub>16</sub> " | 35 3/4"           |                                    | 3 |

|        |        |
|--------|--------|
| PV5401 | PV5402 |
|--------|--------|

### TRACK TYPE

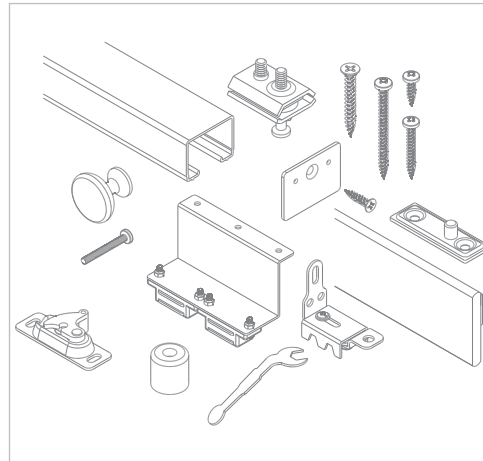
Top Track with Pivot



MDF STILE

4MM insert

Frosted Glass



EURO PIVOT HARDWARE

### FEATURES

- Top and bottom pivot connectors allow doors to swing open providing more access space
- Prefinished Off-white decor finish doors saves time and money with no painting, staining or mess to clean up
- High quality engineered wood construction featuring a durable scratch-resistant finish
- 1-Lite and 3-Lite 4mm tempered frosted glass provides strength, rigidity and contemporary look
- Includes matching fascia to complete the overall look of your room or space
- Includes a set of round knob pulls in satin nickel finish to easily open and close your doors
- Cannot be painted, stained or cut

EXTRUDED

**DIVI  
DER**

ALUMINUM

DIVIDER



## DIVIDER DOOR SYSTEM | EXTRUDED ALUMINUM

Renin Sliding Divider doors can change the look of your home or office space because they offer more than just a means to divide a space, more than just a function; they are a feature, possessing the perfect balance of beauty and ease of use for the modern homeowner.

| EURO TRACKLESS PIVOT CLOSET DOORS |   |      |
|-----------------------------------|---|------|
| ENGINEERED WOOD                   |   |      |
| MODEL                             | DESCRIPTION   | PAGE |
| 7041                              | Sliding Passage Door System   Extruded Aluminum     | 102  |
| 7039                              | Bottom Roll Divider Door System   Extruded Aluminum | 104  |
| 7035                              | Top Roll Divider Door System   Extruded Aluminum    | 106  |

 [Renin.com](http://Renin.com)

 Sales: 1 (888) 752-0427

 Customer Service: 1 (800) 493-5263

## SLIDING PASSAGE DOOR SYSTEM | EXTRUDED ALUMINUM

7041



DIVIDER

SLIDING PASSAGE DOOR SYSTEM | EXTRUDED ALUMINUM

### WALL MOUNTED | SLIDING MIRROR OR GLASS DIVIDER

- 2" x 1-3/8" Extruded Aluminum Door frame
- Single or double-sided 3mm mirror glass, back-painted glass or single 6mm laminated glass inserts available
- Factory finished, ready-to-install
- ADA compliant
- Custom sizes made to order



## SLIDING PASSAGE DOOR SYSTEM | EXTRUDED ALUMINUM

| A | PANELS   | PANEL SIZE |        | A | PRODUCT NUMBER      |
|---|----------|------------|--------|---|---------------------|
|   | QUANTITY | WIDTH      | HEIGHT |   |                     |
| 1 | 1        | 36"        | 90"    | 1 | BY7041A21LGC036090  |
| 2 |          | 42"        |        | 2 | BY7041A21LGC042090  |
| 3 |          | 48"        | 110"   | 3 | BY7041A21LGC1048110 |
| 4 |          | 60"        |        | 4 | BY7041A21LGC1060110 |

CUSTOM SIZES AVAILABLE

# 7041

1-LITE | TRANSLUCENT GLASS

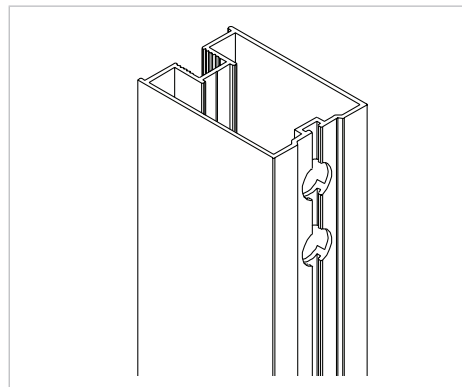
**FINISH**

Clear Anodized Aluminum

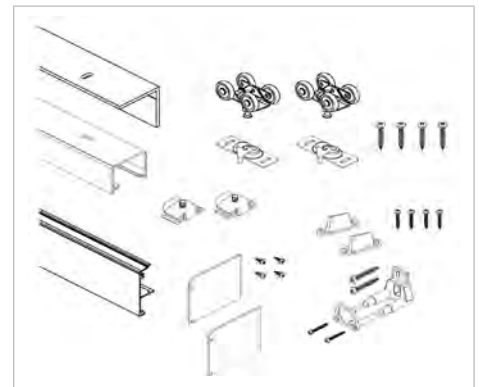


**TRACK TYPE**

Top Roll With No Bottom Track



STILE PROFILE



WM101K HARDWARE BAGSET

DIVIDER SLIDING PASSAGE DOOR SYSTEM | EXTRUDED ALUMINUM

### OPTIONAL FINISHES

| EXTRUDED ALUMINUM FRAME FINISHES |        | GLASS FINISHES                           |        |
|----------------------------------|--------|--|--------|
| FINISH NAME                      | SWATCH | FINISH NAME                              | SWATCH |
| Clear Anodized Aluminum          |        | Clear Mirror   Safety-backed             |        |
| Black Anodized Aluminum          |        | Semi-Translucent Glass                   |        |
| Brown Anodized Aluminum          |        | White Back Painted Glass   Safety-backed |        |
|                                  |        | Black Back Painted Glass   Safety-backed |        |

## BOTTOM ROLL DIVIDER DOOR SYSTEM | EXTRUDED ALUMINUM

7039



### WALL MOUNTED | SLIDING MIRROR OR GLASS DIVIDER

- 2" x 1-3/8" Extruded Aluminum Door frame
- Single or double-sided 3mm mirror glass, back-painted glass or single 6mm laminated glass inserts available
- Factory finished, ready-to-install
- ADA compliant
- Custom sizes made to order

# BOTTOM ROLL DIVIDER DOOR SYSTEM | EXTRUDED ALUMINUM

| A | PANELS   | PANEL SIZE |        | A | PRODUCT NUMBER     |
|---|----------|------------|--------|---|--------------------|
|   | QUANTITY | WIDTH      | HEIGHT |   |                    |
| 1 | 3        | 108"       | 110"   | 1 | BY7039A23LGC108110 |
| 2 |          | 120"       |        | 2 | BY7039A23LGC120110 |
| 3 |          | 144"       |        | 3 | BY7039A23LGC144110 |
| 4 | 4        | 144"       |        | 4 | BY7039A24LGC144110 |

## CUSTOM SIZES AVAILABLE

**7039**

1-LITE | TRANSLUCENT GLASS

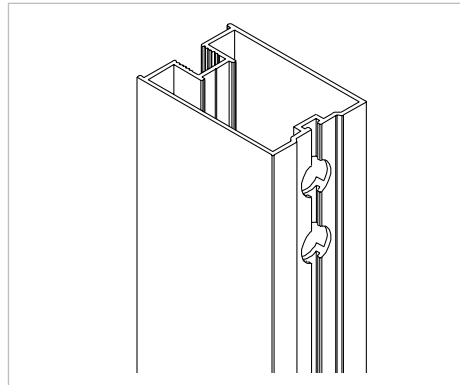
**FINISH**

Black Anodized Aluminum

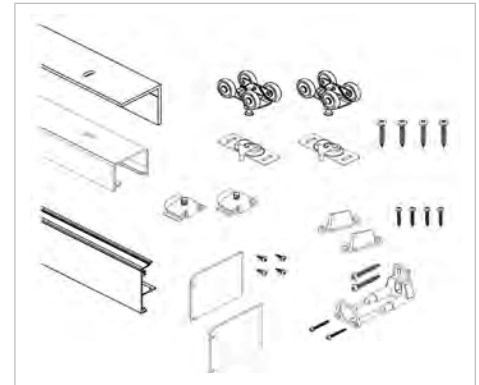


**TRACK TYPE**

Bottom Roll With Top Track



STILE PROFILE



WM101K HARDWARE BAGSET

## OPTIONAL FINISHES

### EXTRUDED ALUMINUM FRAME FINISHES

| FINISH NAME             | SWATCH |
|-------------------------|--------|
| Clear Anodized Aluminum |        |
| Black Anodized Aluminum |        |
| Brown Anodized Aluminum |        |

### GLASS FINISHES

| FINISH NAME                              | SWATCH |
|--|--------|
| Clear Mirror   Safety-backed             |        |
| Semi-Translucent Glass                   |        |
| White Back Painted Glass   Safety-backed |        |
| Black Back Painted Glass   Safety-backed |        |

## TOP ROLL DIVIDER DOOR SYSTEM | EXTRUDED ALUMINUM

7035



DIVIDER

TOP ROLL DIVIDER DOOR SYSTEM | EXTRUDED ALUMINUM

### WALL MOUNTED | SLIDING MIRROR OR GLASS DIVIDER

- 2" x 1-3/8" Extruded Aluminum Door frame
- Single or double-sided 3mm mirror glass, back-painted glass or single 6mm laminated glass inserts available
- Factory finished, ready-to-install
- ADA compliant
- Custom sizes made to order

# TOP ROLL DIVIDER DOOR SYSTEM | EXTRUDED ALUMINUM

| A  | PANELS   | PANEL SIZE |        | A                  | PRODUCT NUMBER     |
|----|----------|------------|--------|--------------------|--------------------|
|    | QUANTITY | WIDTH      | HEIGHT |                    |                    |
| 1  | 2        | 48"        | 80"    | 1                  | BY7035A22LGC048080 |
| 2  |          | 60"        |        | 2                  | BY7035A22LGC060080 |
| 3  |          | 72"        |        | 3                  | BY7035A22LGC072080 |
| 4  |          | 84"        |        | 4                  | BY7035A22LGC084090 |
| 5  |          | 96"        |        | 5                  | BY7035A22LGC096090 |
| 6  | 3        | 108"       | 6      | BY7035A23LGC108090 |                    |
| B  | QUANTITY | WIDTH      | HEIGHT | B                  | PRODUCT NUMBER     |
| 7  | 2        | 48"        | 96"    | 7                  | BY7035A22LGC048090 |
| 8  |          | 60"        |        | 8                  | BY7035A22LGC060090 |
| 9  |          | 72"        |        | 9                  | BY7035A22LGC072090 |
| 10 |          | 84"        |        | 10                 | BY7035A22LGC084096 |
| 11 |          | 96"        |        | 11                 | BY7035A22LGC096090 |
| 12 | 3        | 108"       | 12     | BY7035A23LGC108090 |                    |

DIVIDER

TOP ROLL DIVIDER DOOR SYSTEM | EXTRUDED ALUMINUM

## CUSTOM SIZES AVAILABLE

**7035**

1-LITE | TRANSLUCENT GLASS

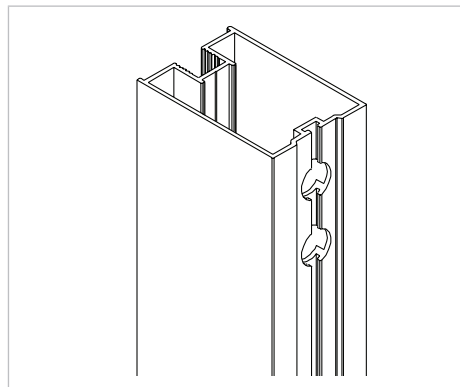
FINISH

Clear Anodized Aluminum

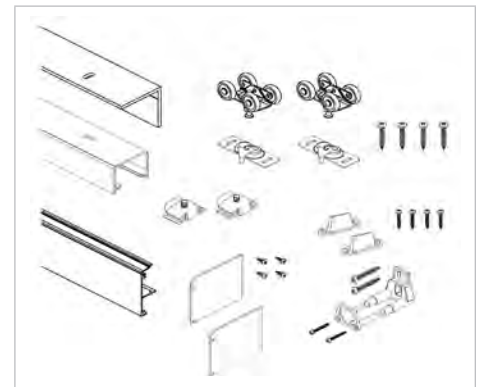


TRACK TYPE

Top Roll system with top track



STILE PROFILE



WM101K HARDWARE BAGSET

## OPTIONAL FINISHES

### EXTRUDED ALUMINUM FRAME FINISHES

| FINISH NAME             | SWATCH |
|-------------------------|--------|
| Clear Anodized Aluminum |        |
| Black Anodized Aluminum |        |
| Brown Anodized Aluminum |        |

### GLASS FINISHES

| FINISH NAME                              | SWATCH |
|--|--------|
| Clear Mirror   Safety-backed             |        |
| Semi-Translucent Glass                   |        |
| White Back Painted Glass   Safety-backed |        |
| Black Back Painted Glass   Safety-backed |        |

# ACROSS THE WALL

**NEW**

**HARD  
WARE**

# COMPONENTS

ATW



## **NEW** INVISIGLIDE™ ACROSS THE WALL HARDWARE KIT

The InvisiGlide™ Across the Wall Hardware conceals the track. A simple solution to create privacy while adding a bold, modern statement to both large and small spaces.

| ACROSS THE WALL COMPONENTS                |      |
|---|------|
| DESCRIPTION                               | PAGE |
| InvisiGlide™ Across The Wall Hardware Kit | 110  |

200 LB  
ATW

INVISIGLIDE™ ACROSS THE WALL HARDWARE KIT

 [Renin.com](http://Renin.com)

 Sales: 1 (888) 752-0427

 Customer Service: 1 (800) 493-5263

**NEW** INVISIGLIDE™ ACROSS THE WALL HARDWARE KIT



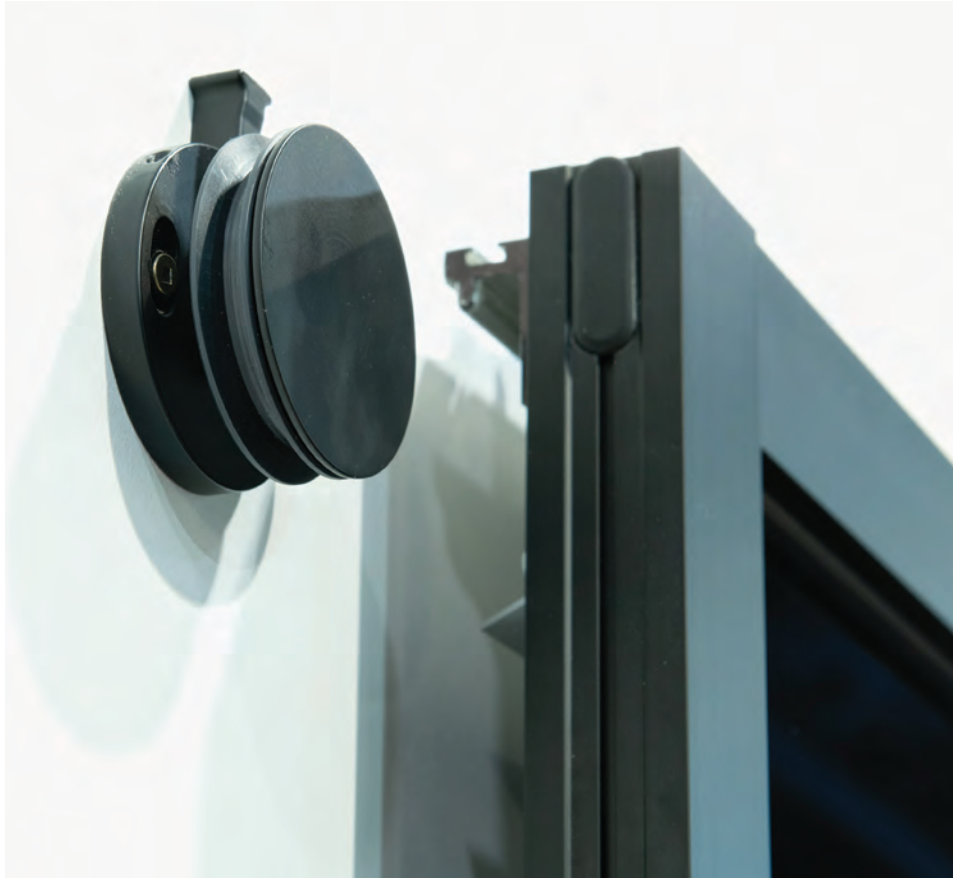
Door slab and handle not included

NEW  
ATW

INVISIGLIDE™ ACROSS THE WALL HARDWARE KIT



**NEW** INVISIGLIDE™ ACROSS THE WALL HARDWARE KIT

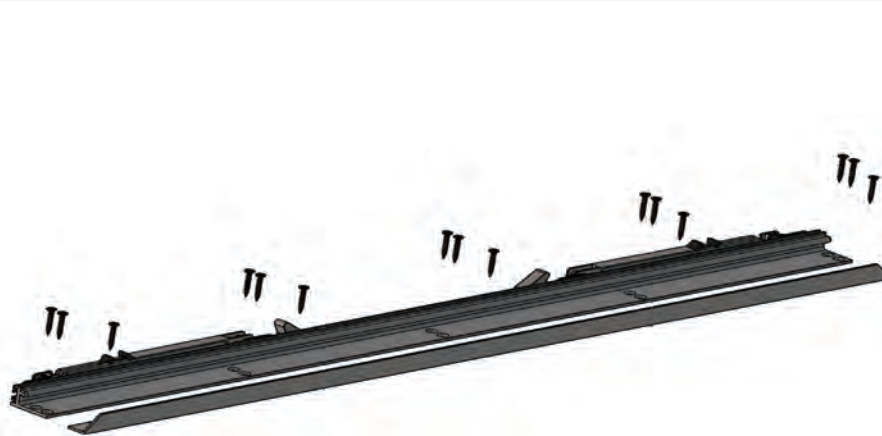


**NEW**  
ATW

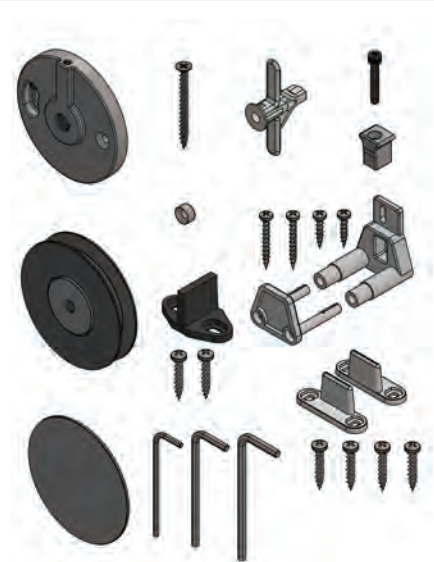
INVISIGLIDE™ ACROSS THE WALL HARDWARE KIT

INVISIGLIDE™ ACROSS THE WALL HARDWARE INCLUDED IN KIT

DOOR TRACK



PARTS



**NEW** INVISIGLIDE™ ACROSS THE WALL HARDWARE KIT

NEW  
ATW

INVISIGLIDE™ ACROSS THE WALL HARDWARE KIT



Door slab and handle not included

**NEW**

**MATTE BLACK KIT**

**DECOR FINISH**

Matte Black

**PRODUCT NUMBERS**

HWF64950-PBO

**MATERIAL**

Steel



The InvisiGlide™ Across the Wall Hardware conceals the track, creating a modern statement.

Coming Summer 2019

- Concealed track, allows door to float across discs
- Trackless door design keeps floor opening clear and hazard free
- Easy Glide Soft Close ensures a soft, gentle open and close and is nicely concealed not impacting the look of your door
- Supports doors weighing up to 200lbs
- Kit includes: 5 discs and door track. Door slab sold separately.

**NEW** INVISIGLIDE™ ACROSS THE WALL HARDWARE KIT



Door slab and handle not included



The InvisiGlide™ Across the Wall Hardware conceals the track, creating a modern statement.

Coming Summer 2019

**NEW**

**SATIN NICKEL KIT**

**DECOR FINISH**

Satin Nickel

**PRODUCT NUMBERS**

HWF64950-PBC

**MATERIAL**

Steel

NEW  
ATW

INVISIGLIDE™ ACROSS THE WALL HARDWARE KIT

- Concealed track, allows door to float across discs
- Trackless door design keeps floor opening clear and hazard free
- Easy Glide Soft Close ensures a soft, gentle open and close and is nicely concealed not impacting the look of your door
- Supports doors weighing up to 200lbs
- Kit includes: 5 discs and door track. Door slab sold separately.

ACME

AC  
ME


INTRODUCTION

## INTRODUCTION

The roots of the ACME brand originated in the mid 1950's in California and has always been a top choice for contractors, do-it-yourselfers, door fabricators and interior designers. When it comes to quality of product and depth of product line, ACME is trusted to meet and exceed the demands of today's home design professionals.

| STILE PROFILES               |      |
|------------------------------|------|
| DESCRIPTION                  | PAGE |
| Interior Bifold Doors Matrix | 116  |
| Interior Bypass Doors Matrix | 117  |

 [Renin.com](http://Renin.com)

 Sales: 1 (888) 752-0427

 Customer Service: 1 (800) 493-5263

# INTERIOR BIFOLD DOORS MATRIX

ACME INTERIOR BIFOLD DOORS MATRIX

| SERIES REFERENCE NUMBER        | BIFOLD STILE                 |                          | BIFOLD HARDWARE   |                   |                   | ROLL FORM STEEL    |                   |
|--------------------------------|------------------------------|--------------------------|-------------------|-------------------|-------------------|--------------------|-------------------|
|                                | HW4601 (Edgeguard Frameless) | HW4606 (Slimline Framed) | HW88011 (Bagsets) | HW88015 (Bagsets) | HW88235 (Bagsets) | ARCTIC SILVER (AS) | BRIGHT WHITE (BW) |
| ROLL FORMED STEEL BIFOLD DOORS |                              |                          |                   |                   |                   |                    |                   |
| 4002 SERIES                    | •                            |                          |                   |                   | •                 | •                  | •                 |
| 4003 SERIES                    |                              | •                        | •                 | •                 | •                 | •                  | •                 |

Does Not apply    
  Available

# INTERIOR BYPASS DOORS MATRIX

| SERIES REFERENCE NUMBER                           | ROLL FORM ALUMI-NUM |                    | ROLL FORM STEEL          |                    |                   |                  |                  |                 |                   | BYPASS STILE             |                        |                         |                                     |                                   | BYPASS HARDWARE        |                               |                         |                            |                       |                        |                               |
|---|---------------------|--------------------|--------------------------|--------------------|-------------------|------------------|------------------|-----------------|-------------------|--------------------------|------------------------|-------------------------|-------------------------------------|-----------------------------------|------------------------|-------------------------------|-------------------------|----------------------------|-----------------------|------------------------|-------------------------------|
|   | SATIN CHROME (C1)   | BRIGHT CHROME (C2) | ARCHITECTURAL BROWN (AB) | ARCTIC SILVER (AS) | BRIGHT WHITE (BW) | BRIGHT GOLD (BG) | MATTE BLACK (MB) | SATIN GOLD (SG) | SATIN NICKEL (SN) | HW4101 (Slimline 3-4 mm) | HW4201 (Slimline 8 mm) | HW4401 (Slimline 12 mm) | HW3006 (Edgeguard Frameless 3-4 mm) | HW4107 (Contemporary Wide 3-4 mm) | HW52030 (Roller Guide) | HW52010 (Acetal Roller Guide) | HW52040 (Plastic Guide) | HW52550 (Twin Wheel Guide) | HW52370 (Brush Guide) | HW51010 (Bottom Guide) | HW51030 (Bottom Roller Guide) |
| <b>ROLL FORMED STEEL / ALUMINUM BYPASS DOORS</b>  |                     |                    |                          |                    |                   |                  |                  |                 |                   |                          |                        |                         |                                     |                                   |                        |                               |                         |                            |                       |                        |                               |
| <b>2001 SERIES</b><br>(Top Roll System)           |                     |                    | •                        | •                  | •                 | •                | •                | •               |                   | •                        |                        |                         |                                     |                                   | •                      |                               |                         |                            |                       |                        | •                             |
| <b>2002 SERIES</b><br>(Top Roll System)           |                     |                    | •                        | •                  | •                 | •                | •                | •               |                   |                          |                        |                         |                                     |                                   |                        | •                             |                         |                            |                       | •                      |                               |
| <b>2003 / 7003 SERIES</b><br>(Bottom Roll System) | •                   | •                  |                          | •                  | •                 | •                | •                | •               | •                 |                          |                        |                         |                                     |                                   |                        |                               | •                       | •                          | •                     |                        | •                             |
| <b>2008 SERIES</b><br>(Bottom Roll System)        |                     |                    |                          | •                  | •                 |                  |                  |                 |                   |                          |                        | •                       |                                     |                                   |                        |                               | •                       | •                          | •                     |                        | •                             |
| <b>2020 / 7023 SERIES</b><br>(Bottom Roll System) | •                   |                    |                          | •                  | •                 |                  |                  | •               |                   |                          |                        |                         |                                     | •                                 |                        |                               | •                       | •                          | •                     |                        | •                             |
| <b>2101 SERIES</b><br>(Top Roll System)           |                     |                    |                          |                    | •                 |                  |                  |                 |                   |                          | •                      |                         |                                     |                                   | •                      |                               |                         |                            |                       |                        | •                             |
| <b>2102 SERIES</b><br>(Top Roll System)           |                     |                    |                          |                    | •                 |                  |                  |                 |                   |                          | •                      |                         |                                     |                                   |                        | •                             |                         |                            |                       | •                      |                               |
| <b>2103 SERIES</b><br>(Bottom Roll System)        |                     |                    |                          |                    | •                 |                  |                  |                 |                   |                          | •                      |                         |                                     |                                   |                        | •                             | •                       | •                          |                       |                        | •                             |
| <b>2303 SERIES</b><br>(Bottom Roll System)        |                     |                    |                          |                    | •                 |                  |                  |                 |                   |                          | •                      |                         |                                     |                                   |                        | •                             | •                       | •                          |                       |                        | •                             |

Does Not apply
  Available

INTERIOR BYPASS DOORS MATRIX ACME

acme®

# FRAMED FABRICATOR

ACME

ACME

STEEL & ALUMINUM





## FRAMED FABRICATOR PARTS

The roots of the ACME brand originated in the mid 1950's in California and has always been a top choice for contractors, do-it-yourselfers, door fabricators and interior designers. When it comes to quality of product and depth of product line, ACME is trusted to meet and exceed the demands of today's home design professionals.

| CLOSET BIFOLD SERIES: FABRICATOR COMPONENTS (ROLL FORM STEEL / ALUMINUM) |  |      |
|--|--|------|
| STEEL BIFOLD MATRIX  |  |      |
| SERIES   | DESCRIPTION                            | PAGE |
| 4002   | Edgeguard Frameless Bifold Closet Door | 120  |
| 4003   | Slimline Framed Bifold Closet Door     | 121  |

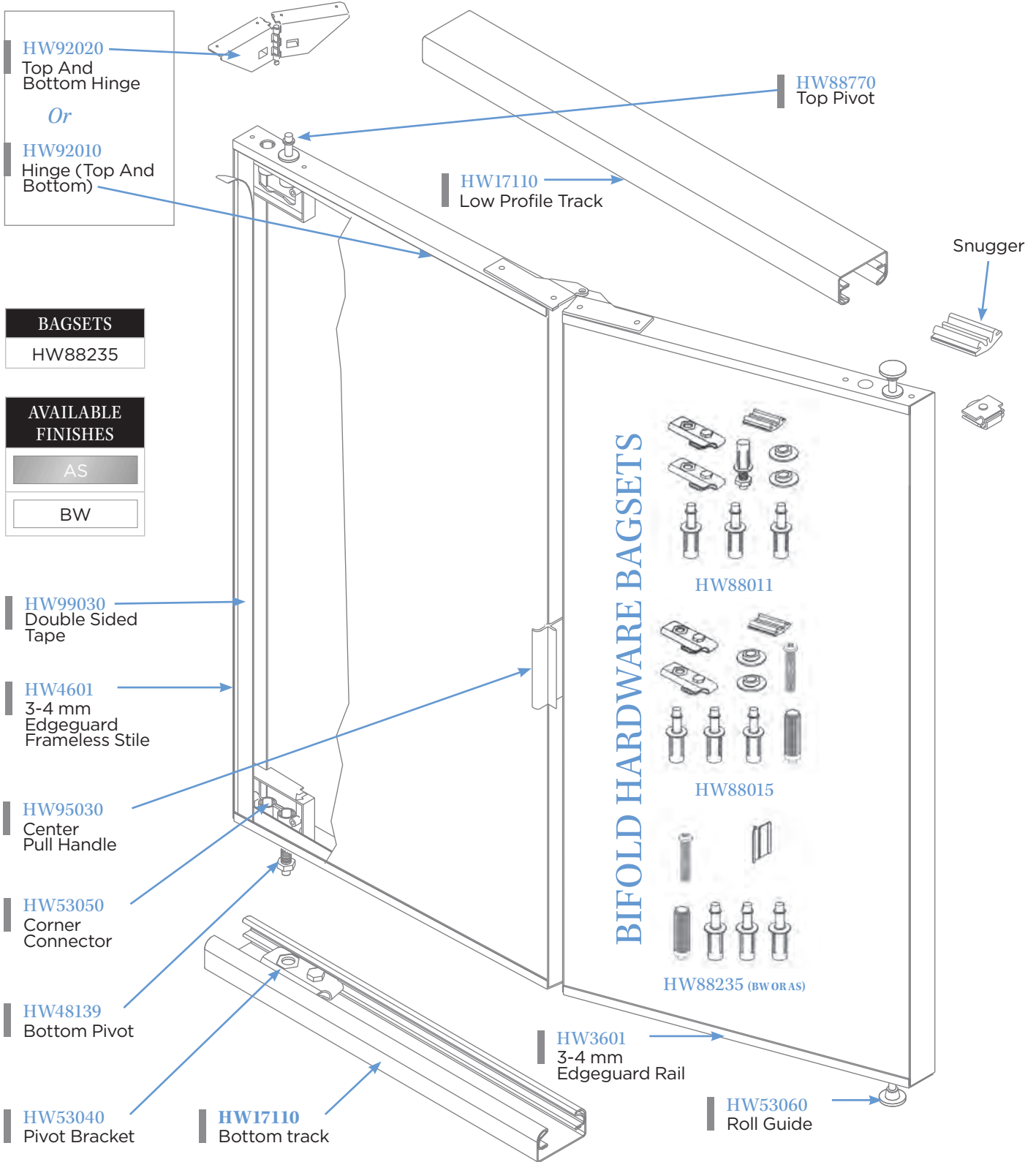
| CLOSET BYPASS SERIES: FABRICATOR COMPONENTS (ROLL FORM STEEL / ALUMINUM) |  |      |
|--|--|------|
| STEEL / ALUMINUM BYPASS MATRIX   |  |      |
| SERIES   | DESCRIPTION  | PAGE |
| 2001   | Top Roll & Bottom Roll 3-4 mm Slimline Frame Closet Door | 122  |
| 2002   | Top Roll 3-4 mm Slimline Frame Closet Door               | 123  |
| 2003/7003  | Bottom Roll 3-4 mm Slimline Closet Door                  | 124  |
| 2008   | Bottom Roll 3-4 mm Edgeguard Frameless Closet Door       | 125  |
| 2020/7023  | Bottom Roll 3-4 mm Contemporary Wide Frame Closet Door   | 126  |
| 2101   | Top Roll 8 mm Slimline Frame Closet Door                 | 127  |
| 2102   | Top Roll 8 mm Slimline Frame Closet Door                 | 128  |
| 2103   | Bottom Roll 8 mm Slimline Frame Closet Door              | 129  |
| 2303   | Bottom Roll 12 mm Slimline Frame Closet Door             | 130  |

 [Renin.com](http://Renin.com)

 Sales: 1 (888) 752-0427

 Customer Service: 1 (800) 493-5263

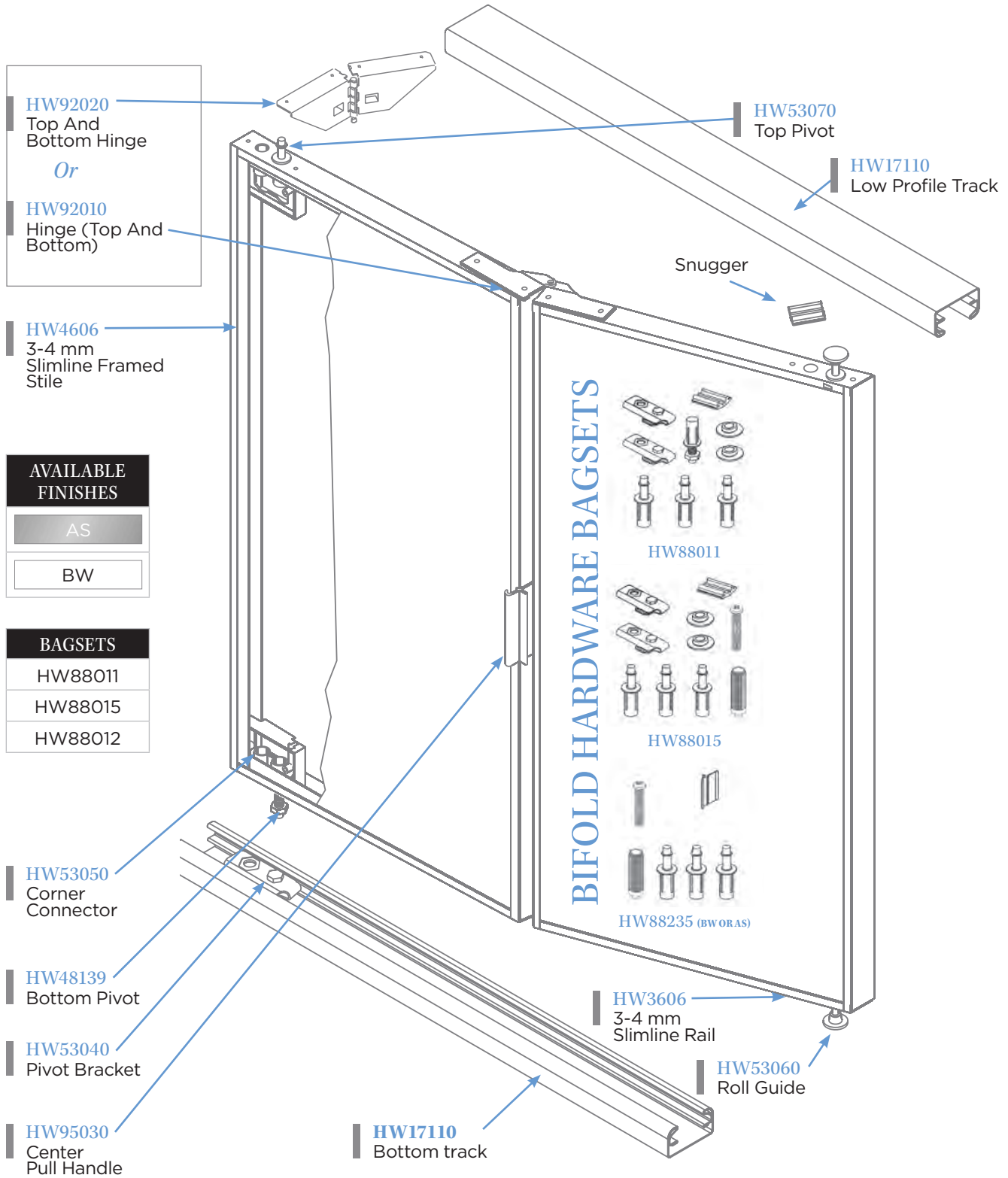
# 4002 SERIES EDGE GUARD FRAMELESS BIFOLD CLOSET DOOR



4002 SERIES

ACME

# 4003 SERIES SLIMLINE FRAMED BIFOLD CLOSET DOOR



4003 SERIES

ACME

# 2001 SERIES TOP ROLL & BOTTOM ROLL 3-4MM SLIMLINE FRAME CLOSET DOOR

**HW1001**  
Top Double Roll J Track

**HW52030**  
Spring Acetal Roller Guide

**HW4101**  
3-4 mm  
Slimline Stile

**AVAILABLE FINISHES**

|    |
|----|
| AB |
| AS |
| BG |
| BW |
| MB |
| SG |

3-4MM →

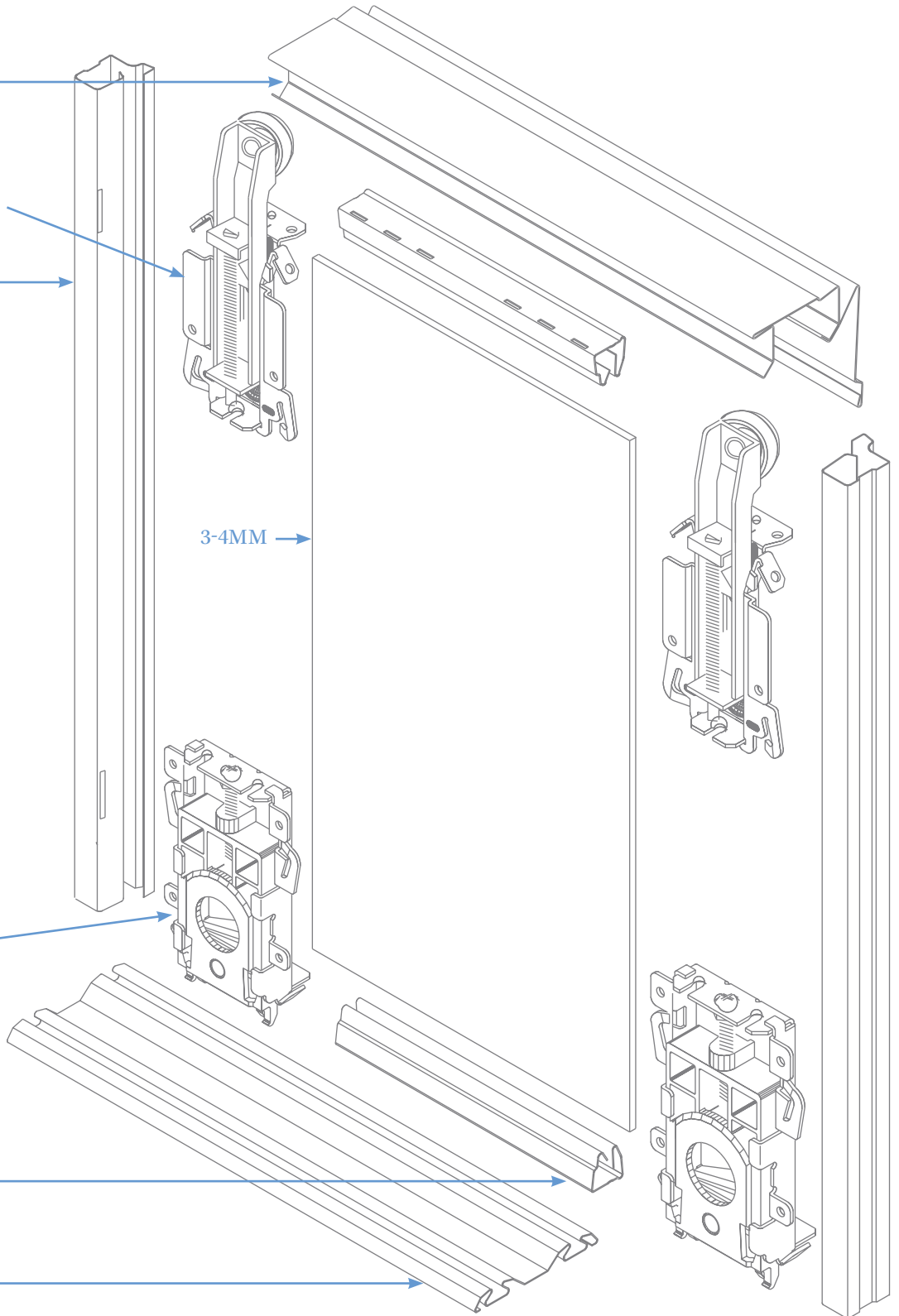
**HW51030**  
Bottom Roller Guide

*Or*

**HW51040**  
Bottom Roller  
Ball Bearing Guide

**HW3101**  
3-4 mm  
Sliding Door Rail

**HW1601**  
Bottom Track



# 2002 SERIES TOP ROLL 3-4MM SLIMLINE FRAME CLOSET DOOR

**HW1001**  
Top Double Roll J Track

**HW52010**  
Acetal Roller Guide

**HW4101**  
3-4 mm  
Slimline Stile

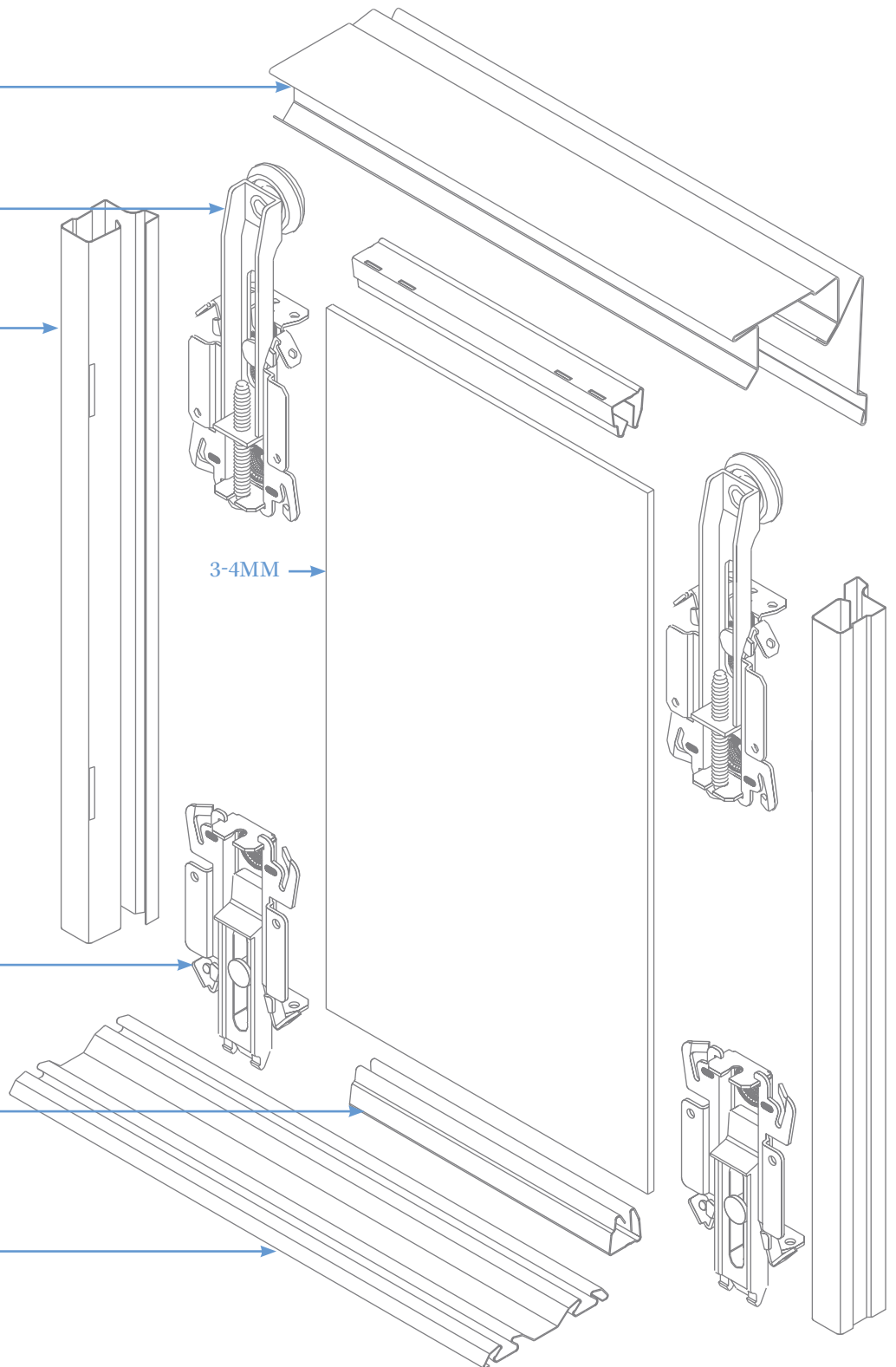
| AVAILABLE FINISHES |
|--------------------|
| AB                 |
| AS                 |
| BG                 |
| BW                 |
| MB                 |
| SG                 |

3-4MM

**HW51010**  
Bottom Guide

**HW3101**  
3-4 mm  
Sliding Door Rail

**HW1601**  
Bottom Track



# 2003 / 7003 SERIES BOTTOM ROLL 3-4MM SLIMLINE CLOSET DOOR

2003 / 7003 SERIES  
ACME

- HW52550  
Twin Wheel Guide  
*Or*
- HW52650  
Twin Wheel  
Ball Bearing Guide  
*Or*
- HW52040  
Plastic Guide

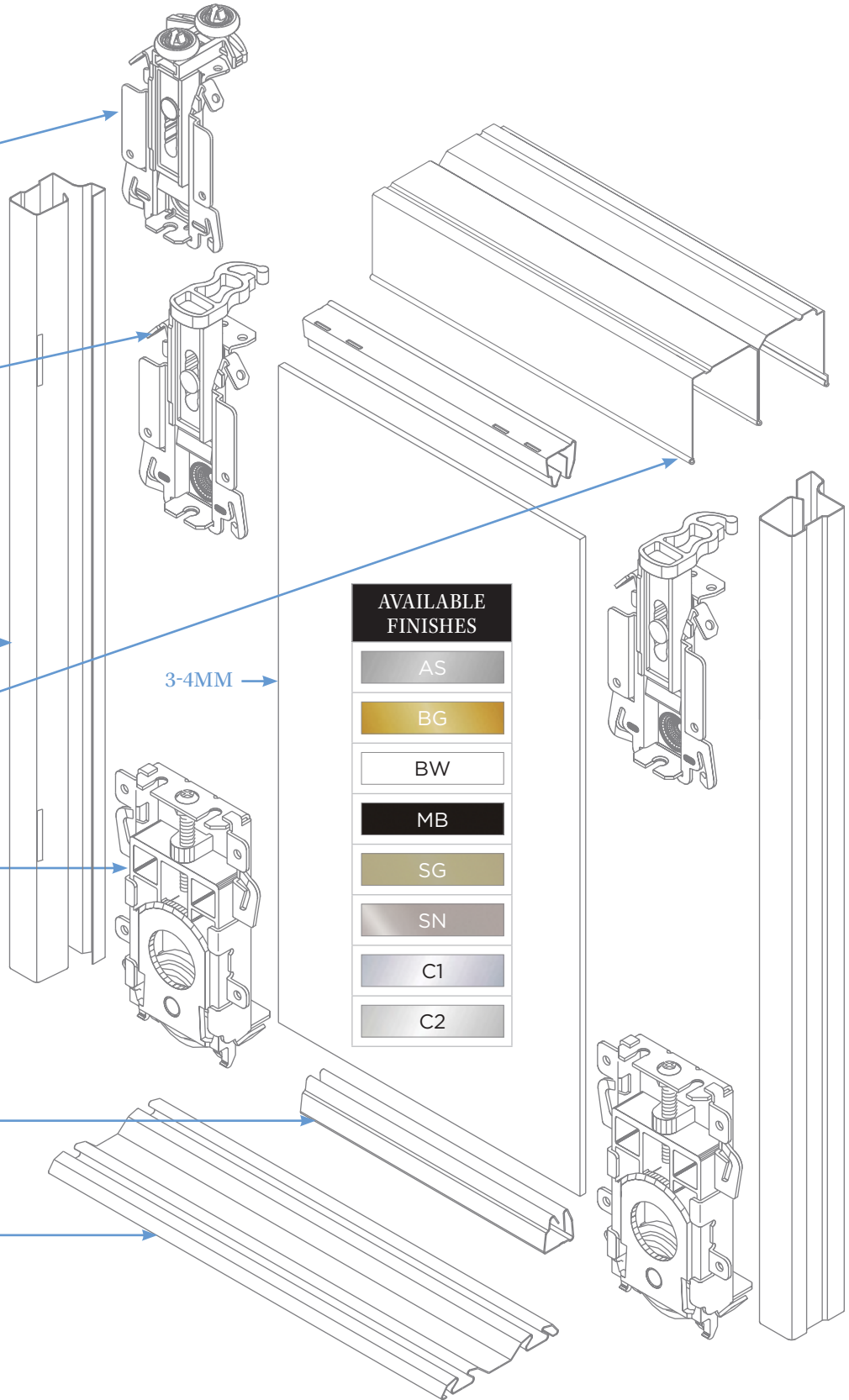
HW4101  
3-4 mm  
Slimline Stile

HW2201  
E Track

- HW51030  
Bottom Roller Guide  
*Or*
- HW51040  
Bottom Roller  
Ball Bearing Guide

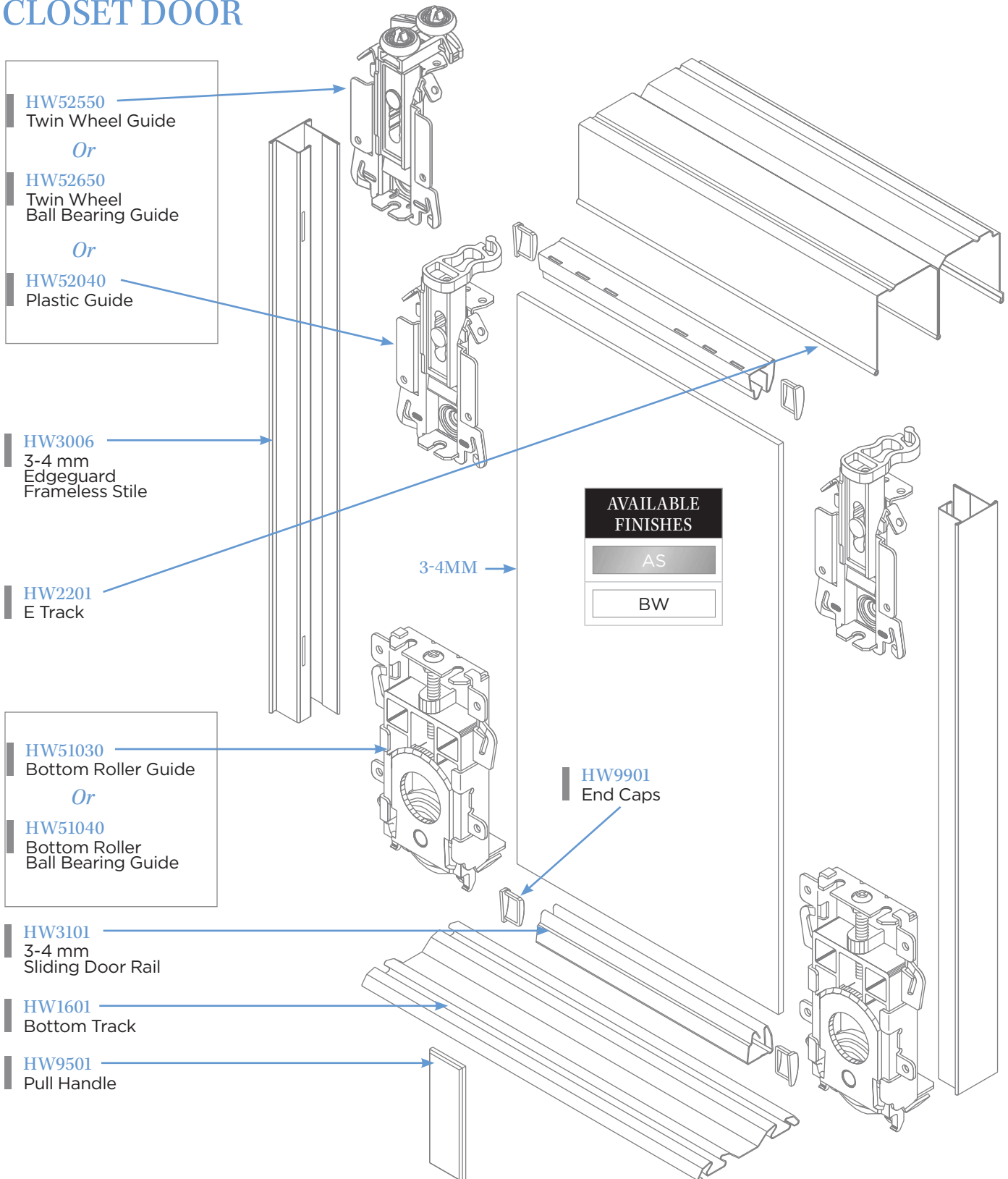
HW3101  
3-4 mm  
Sliding Door Rail

HW1601  
Bottom Track



| AVAILABLE FINISHES |
|--------------------|
| AS                 |
| BG                 |
| BW                 |
| MB                 |
| SG                 |
| SN                 |
| C1                 |
| C2                 |

# 2008 SERIES BOTTOM ROLL 3-4MM EDGE GUARD FRAMELESS CLOSET DOOR



2008 SERIES

ACME

# 2020 / 7023 SERIES BOTTOM ROLL 3-4MM CONTEMPORARY WIDE FRAME CLOSET DOOR

- HW52550 Twin Wheel Guide
- Or*
- HW52650 Twin Wheel Ball Bearing Guide
- Or*
- HW52040 Top Guide Plastic

- HW2201 E Track

| AVAILABLE FINISHES |
|--------------------|
| AS                 |
| BW                 |
| SN                 |
| CI                 |

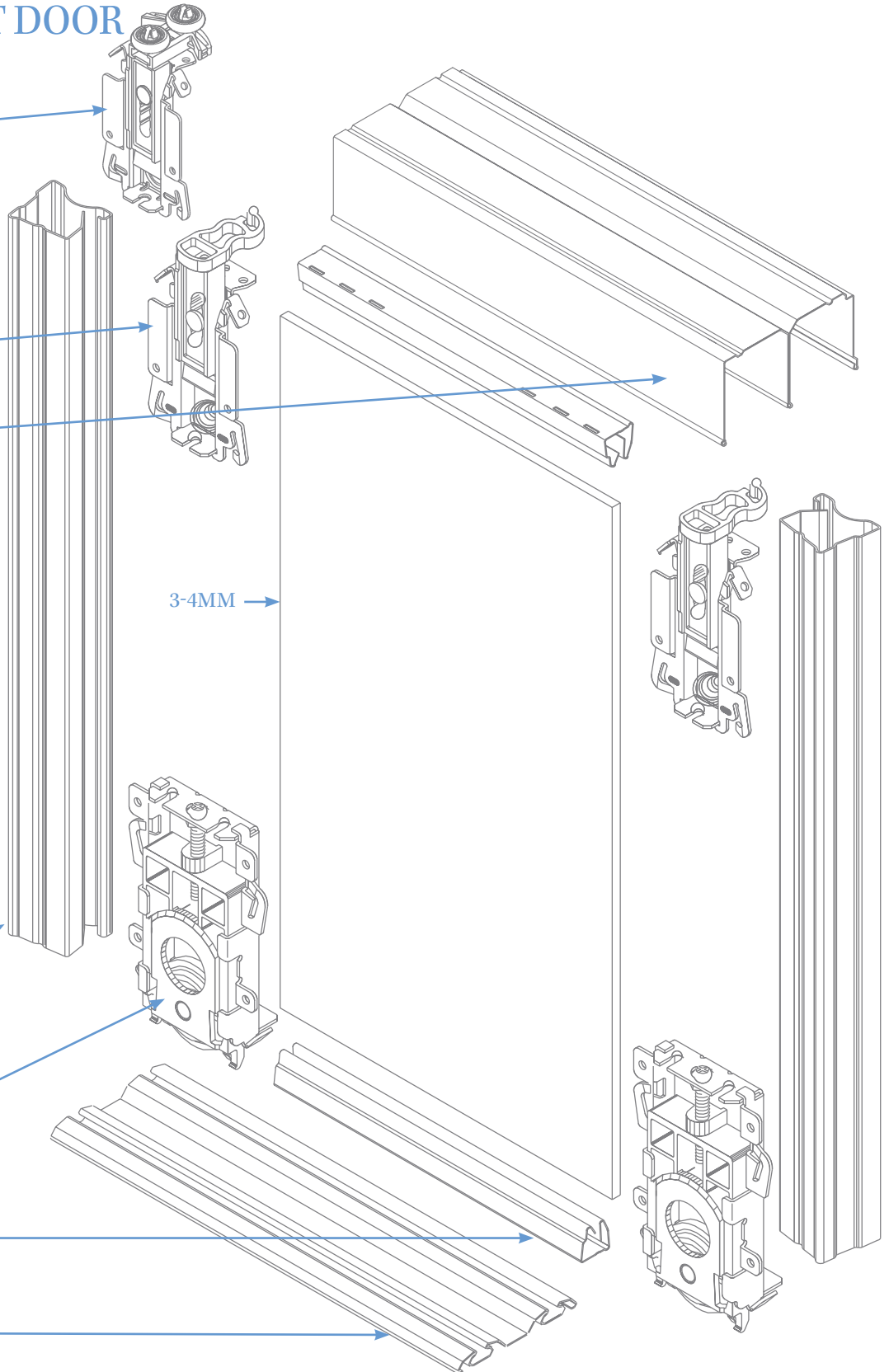
3-4MM

- HW4107 3-4 mm Contemporary Wide Stile

- HW51040 Bottom Roller Ball Bearing Guide

- HW3101 3-4 mm Sliding Door Rail

- HW1601 Bottom Track



2020 / 7023 SERIES

ACME



# 2101 SERIES TOP ROLL 8MM SLIMLINE FRAME CLOSET DOOR

HW1001  
Top Double Roll J Track

HW52030  
Spring Acetal  
Roller Guide

HW4201  
8 mm  
Slimline Stile

AVAILABLE  
FINISHES  
BW

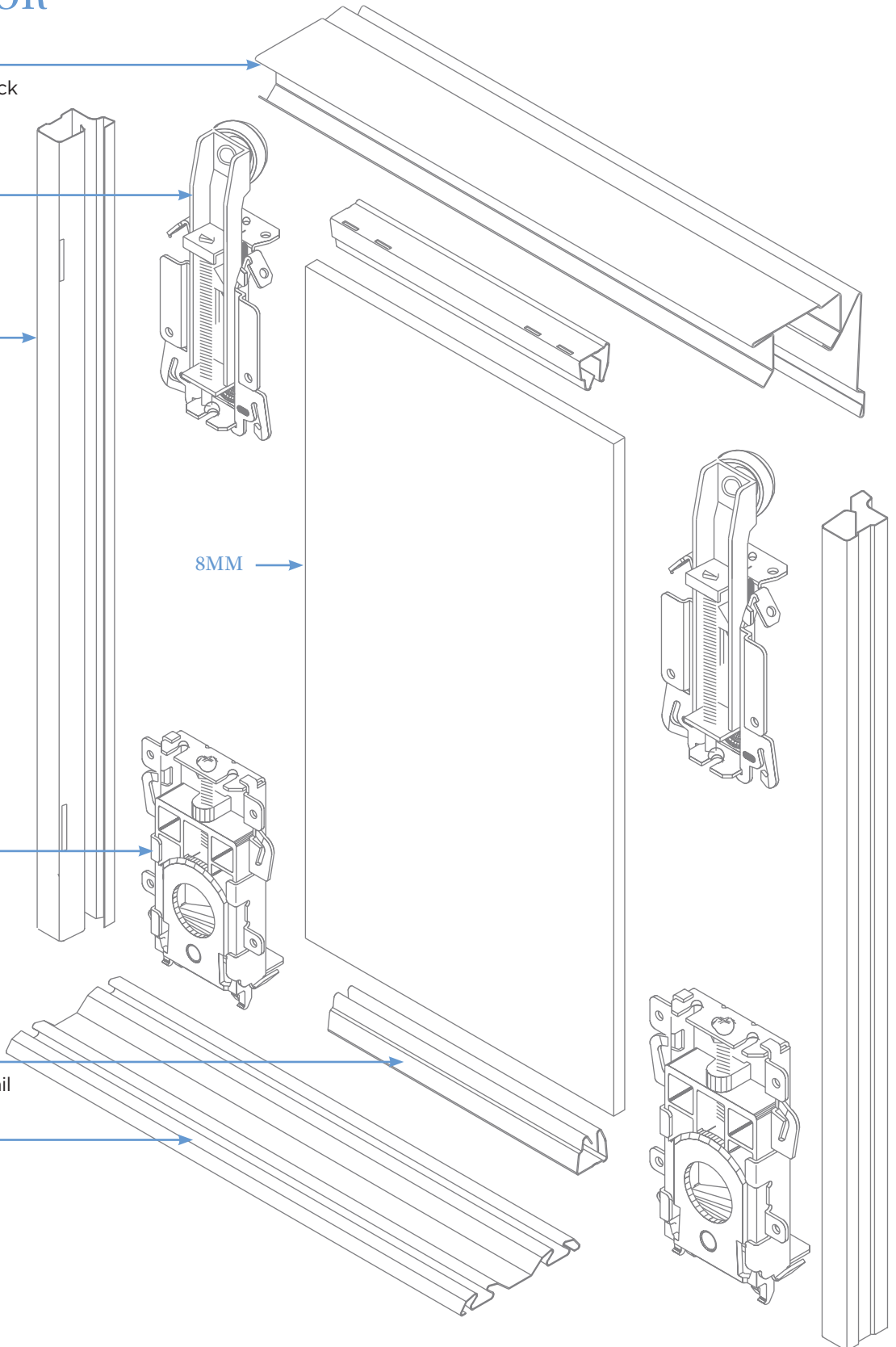
8MM

HW51030  
Bottom Roller Guide  
*Or*

HW51040  
Bottom Roller  
Ball Bearing Guide

HW3201  
8 mm Sliding Door Rail

HW1601  
Bottom Track



2101 SERIES

ACME

# 2102 SERIES TOP ROLL 8MM SLIMLINE FRAME CLOSET DOOR

**HW1001**  
Top Double Roll J Track

**HW52010**  
Acetal Roller Guide

**HW4201**  
8 mm Slimline Stile

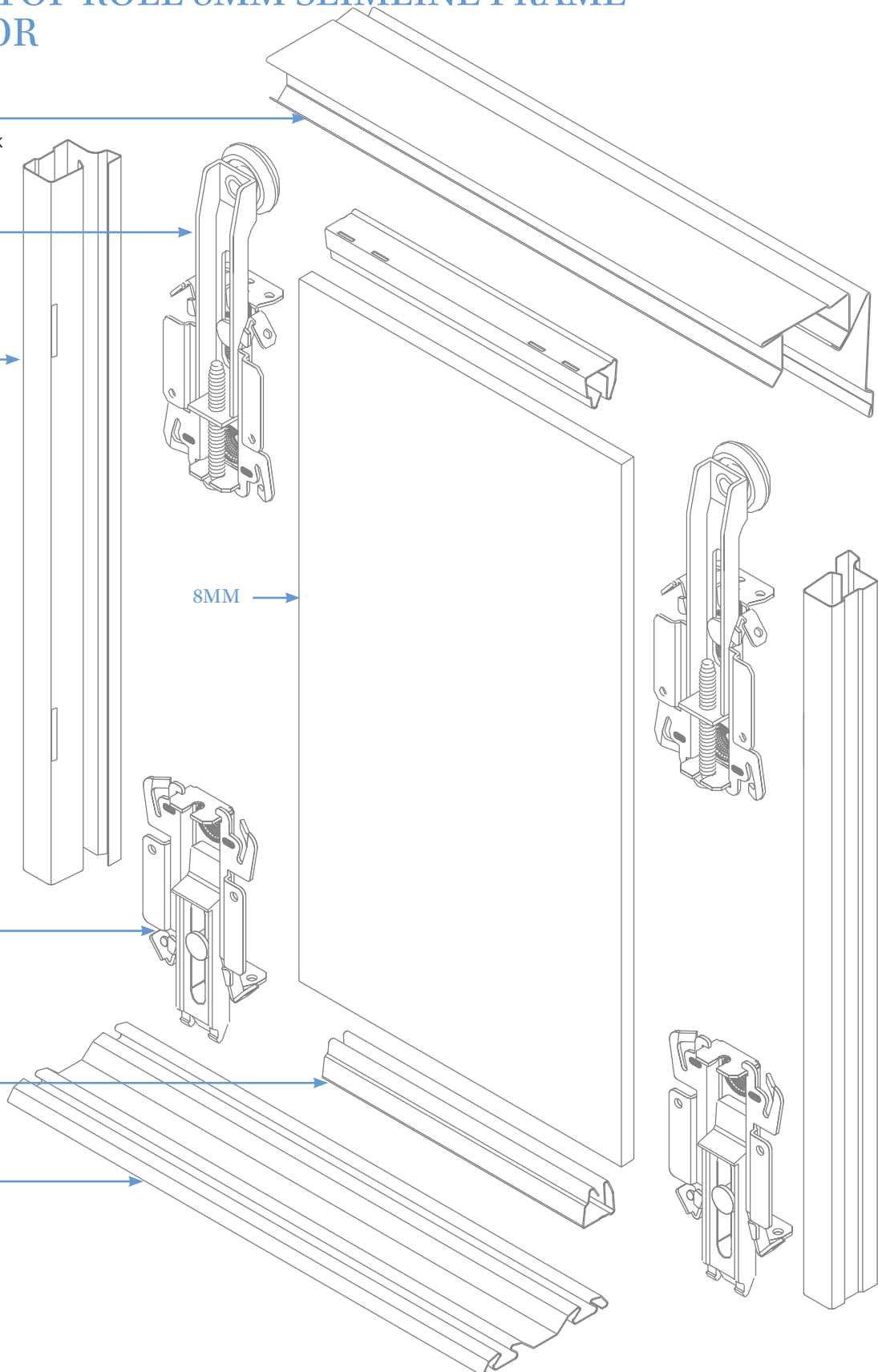
AVAILABLE FINISHES  
BW

8MM

**HW51010**  
Bottom Guide

**HW3201**  
8 mm Sliding Door Rail

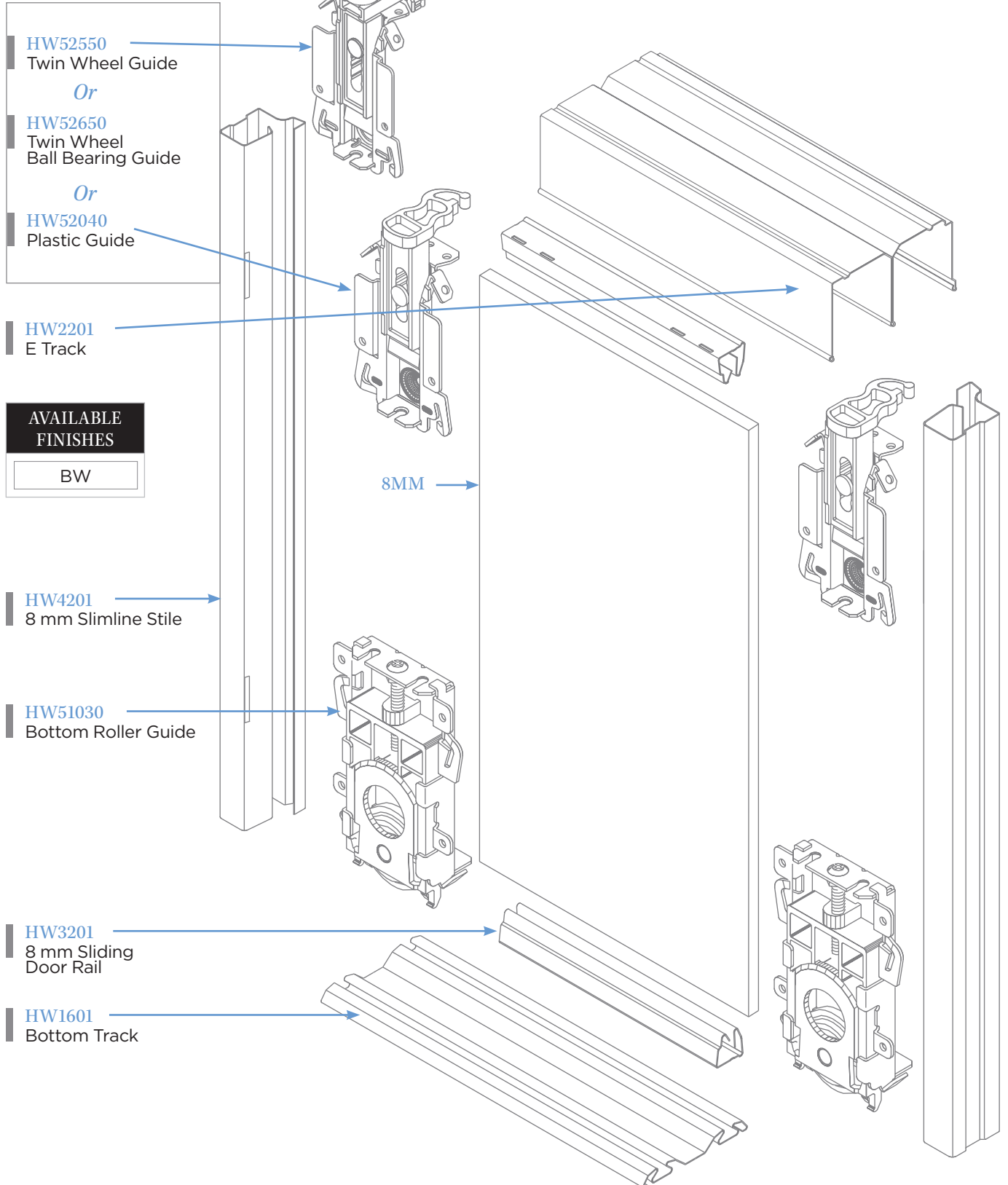
**HW1601**  
Bottom Track



2102 SERIES

ACME

# 2103 SERIES BOTTOM ROLL 8MM SLIMLINE FRAME CLOSET DOOR



2103 SERIES  
ACME

# 2303 SERIES BOTTOM ROLL 12MM SLIMLINE FRAME CLOSET DOOR

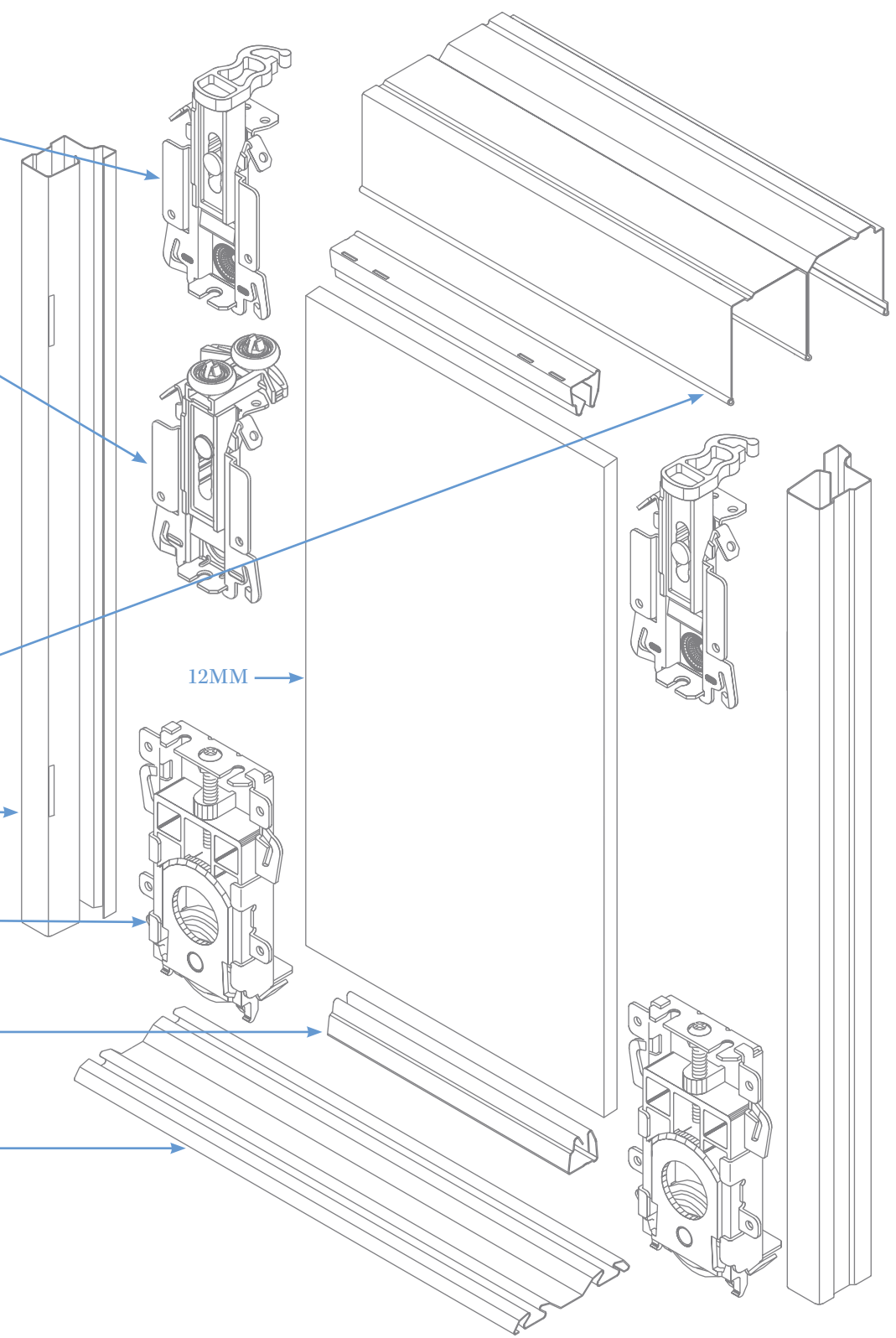
2303 SERIES

ACME

- HW52040 Plastic Guide
- Or*
- HW52650 Twin Wheel Ball Bearing Guide
- Or*
- HW52550 Twin Wheel Guide

AVAILABLE FINISHES  
BW

- HW2201 E Track
- HW4401 12 mm Slimline Stile
- HW51030 Bottom Roller Guide
- HW3401 12 mm Sliding Door Rail
- HW1601 Bottom Track





# BIFOLD



ACME

# COMPONENTS

ACME



## BUILDERS PANEL CLOSET BIFOLD SERIES COMPONENT HARDWARE

We find beauty in the details, specializing in supplying homeowners with the functional yet tasteful door hardware they need to adorn your door with the accessories it deserves.

As a supplier of endless door and door frame designs, it's our job to ensure every installation is a beautiful one with custom door hardware. Tailored for fabricators, do-it-yourself installation or repairs, Renin's ACME door hardware can change the appearance of your doors or refresh existing hardware that has worn out over the years.

There's nothing more satisfying than a seamless door installation process and our long history crafting hardware means we can accommodate the most unique and unusual hardware specifications, while maintaining the door's integrity and keeping the instructions simple for homeowners.

| CLOSET BIFOLD SERIES COMPONENTS |  |      |
|---------------------------------|--|------|
| BIFOLD HARDWARE                 |  |      |
| SERIES                          | DESCRIPTION                                  | PAGE |
| 2400 (Steel)                    | 3/8" Bore, 30 LB Bifold Hardware Components  | 134  |
| 2900 (Steel)                    | 7/16" Bore, 30 LB Bifold Hardware Components | 136  |
| 2600 (Aluminum)                 | 50 LB Bifold Hardware Components             | 138  |
| 2700 (Aluminum)                 | 125 LB Bifold Hardware Components            | 140  |

 [Renin.com](http://Renin.com)

 Sales: 1 (888) 752-0427

 Customer Service: 1 (800) 493-5263

## 3/8" BORE, 30 LB BIFOLD HARDWARE COMPONENTS

### PANEL DIMENSIONS

**To determine panel width:**

Panel width = known finished opening width divided by number of panels, less 1/4"

**To determine opening width:**

Opening width = known finished panel width plus 1/4," multiplied by number of panels

**Door Height:**

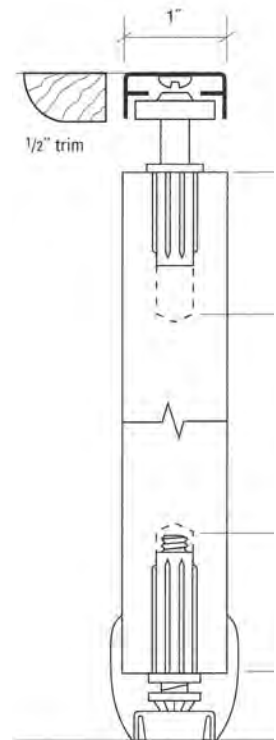
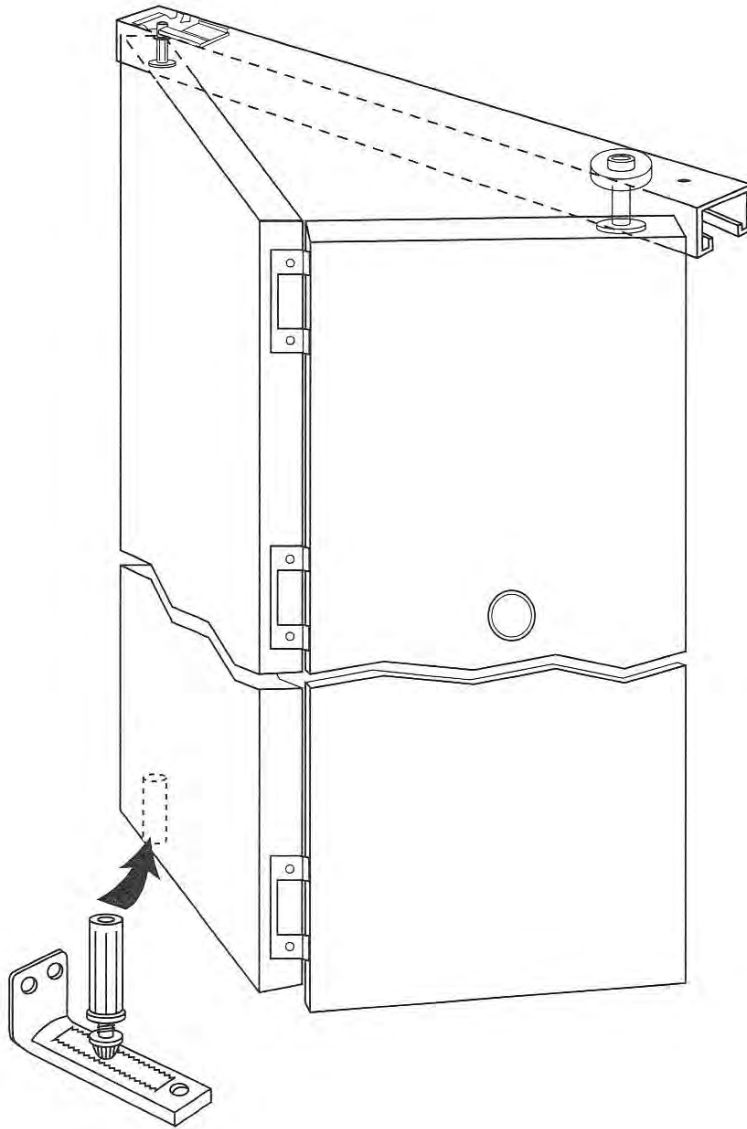
= 1 3/4" less than finished opening height

### FEATURES

- Spring loaded top pivot and roller guide for easy installation
- Permanently lubricated roller guide
- Durable pre-painted track
- All metal components galvanized against corrosion

### ANSI REFERENCE:

Conforms to ANSI A156.14 type O8622





**TRACK OPTIONS**

| BRIGHT WHITE STEEL TRACK (BOXED) | ARCHITECTURAL BROWN STEEL TRACK (BOXED) |
|----------------------------------|---|
| HW1703BW                         | HW1703AB                                |
|                                  |   |

**3/8" BORE, 30 LB BIFOLD HARDWARE COMPONENTS**

**SUMMARY OF BIFOLD HARDWARE BAGSETS (ACME 2400 SERIES – 3/8" BORE)**

| ITEM/BAGSET #   | HW63190 1 DR | HW63130 2 DR | HW63140 2 DR | HW63460 1 DR | HW63090 4 DR |
|-----------------|--------------|--------------|--------------|--------------|--------------|
| Jamb Bracket    | 1            | 1            | 1            | 1            | 2            |
| Bottom Pivot    | 1            | 1            | 1            | 1            | 2            |
| Top Pivot Guide | 1            | 1            | 1            | 1            | 2            |
| Top Guide Wheel | •            | 1            | 1            | 1            | 2            |
| Aligners        | •            | 1            | •            | 1            | 2            |
| Snugger         | •            | 1 X 2DR      | 1 X 2DR      | 1 X 1 DR     | 1 X 4DR      |
| Knob            | 1 Plastic    | 1 Wood       | 1 Wood       | 1 Wood       | 2 Wood       |
| Screw Pack      | Yes          | Yes          | Yes          | Yes          | Yes          |
| Magnetic Catch  | 1            | •            | •            | •            | •            |
|                 |              |              |              |              |              |

**HINGES AND SCREWS**

| NON-MORTICE HINGE WITH INLINE HOLES BRASS TONE | NON-MORTICE HINGE WITH OFFSET HOLES BRASS TONE | SELF DRILLING SCREWS BRASS TONE FOR 64210 | FLATBACK HINGE SATIN BRASS | SELF DRILLING SCREWS BRASS TONE FOR 64230 |
|--|--|---|----------------------------|---|
| HW64770  | HW64210  | HW64290                                   | HW64230                    | HW64270                                   |
|  |  |   |                            |   |

**HINGES AND SCREWS (CONT)**

| FLATBACK HINGE WITH RAISED COUNTERSINK SATIN BRASS | NON-MORTICE HINGE ZINC | SELF DRILLING SCREWS ZINC FOR 64766 & 64250 | FLATBACK HINGE ZINC | SELF DRILLING SCREWS ZINC FOR 64766 & 64250 |
|--|------------------------|---|---------------------|---|
| HW64240  | HW64766                | HW64295                                     | HW64250             | HW64275                                     |
|  |                        |   |                     |   |

# 7/16" BORE, 30 LB BIFOLD HARDWARE COMPONENTS

## PANEL DIMENSIONS

### To determine panel width:

Panel width = known finished opening width divided by number of panels, less 1/4"

### To determine opening width:

Opening width = known finished panel width plus 1/4," multiplied by number of panels

### Door Height:

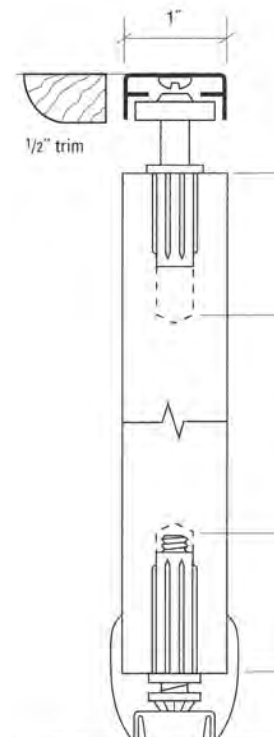
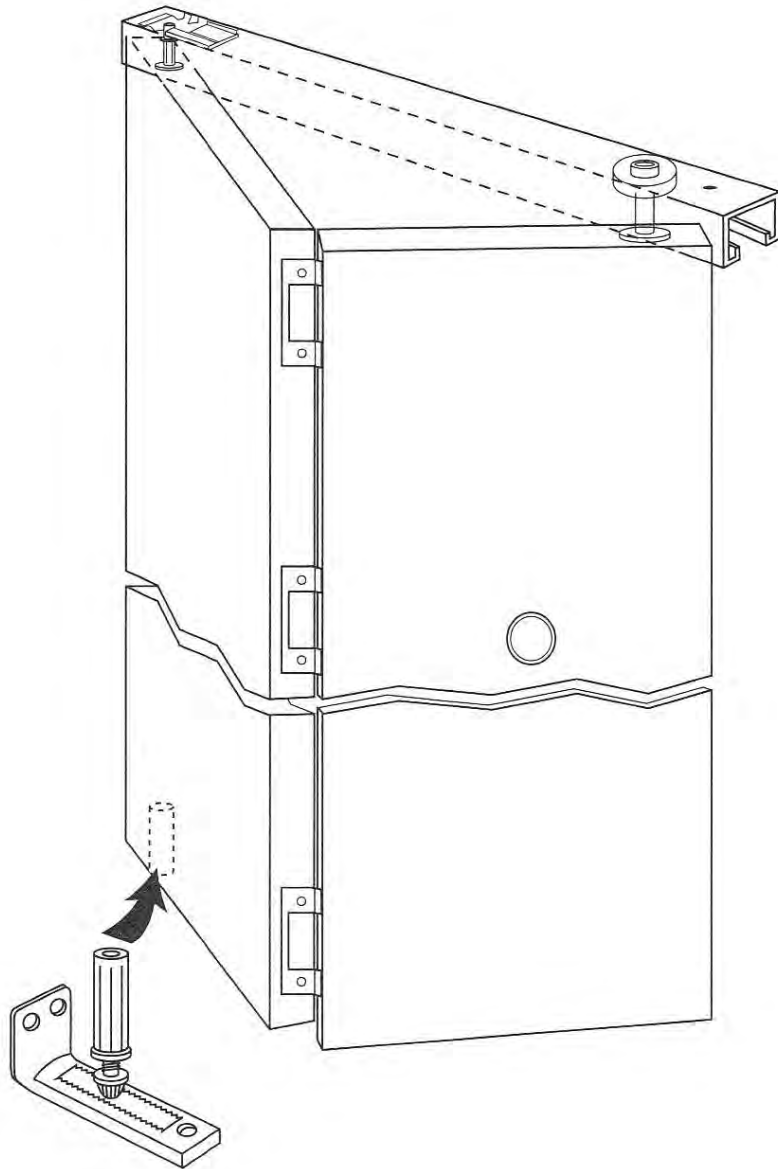
= 1 3/4" less than finished opening height

## FEATURES

- Spring loaded top pivot and roller guide for easy installation
- Permanently lubricated roller guide
- Durable pre-painted track
- All metal components galvanized against corrosion

## ANSI REFERENCE:

Conforms to ANSI A156.14 type O8622



**TRACK OPTIONS**

| BRIGHT WHITE STEEL TRACK (BOXED)  | ARCHITECTURAL BROWN STEEL TRACK (BOXED)   |
|---|---|
| HW1703BW  | HW1703AB  |
|  |  |

**7/16" BORE, 30 LB BIFOLD HARDWARE BAGSETS**

**SUMMARY OF BIFOLD HARDWARE BAGSETS**

| ITEM/BAGSET #   | HW63040 2 DR  | HW63050 2 DR  | HW63070 2 DR   | HW63030 2 DR  |
|-----------------|---|---|--|---|
| Jamb Bracket    | 1   | 1   | 1  | 1   |
| Bottom Pivot    | 1   | 1   | 1  | 1   |
| Top Pivot Guide | 2   | 2   | 2  | 1   |
| Top Guide Wheel | •   | •   | •  | 1   |
| Aligners        | 1   | 1   | 1  | 1   |
| Snugger         | •   | •   | •  | 2   |
| Slide Guide     | 1   | 1   | 1  | •   |
| Knob            | 1 Plastic   | 1 Plastic   | 1 Wood   | 1 Wood  |
| Screw Pack      | Yes   | Yes   | Yes  | Yes   |
|                 |  |  |  |  |

**HINGES AND SCREWS**

| NON-MORTICE HINGE WITH INLINE HOLES BRASS TONE                                      | NON-MORTICE HINGE WITH OFFSET HOLES BRASS TONE                                      | SELF DRILLING SCREWS BRASS TONE FOR 64210   | FLATBACK HINGE SATIN BRASS   | SELF DRILLING SCREWS BRASS TONE FOR 64230   |
|---|---|---|--|---|
| HW64770   | HW64210   | HW64290   | HW64230  | HW64270   |
|  |  |  |  |  |

**HINGES AND SCREWS (CONT)**

| FLATBACK HINGE WITH RAISED COUNTERSINK SATIN BRASS                                  | NON-MORTICE HINGE ZINC  | SELF DRILLING SCREWS ZINC FOR 64766 & 64250   | FLATBACK HINGE ZINC  | SELF DRILLING SCREWS ZINC FOR 64766 & 64250   |
|---|---|---|--|---|
| HW64240   | HW64766   | HW64295   | HW64250  | HW64275   |
|  |  |  |  |  |

SERIES 2900  
ACME 30 LB

# 50 LB BIFOLD HARDWARE COMPONENTS

## PANEL DIMENSIONS

**To determine panel width:**

Panel width = known finished opening width divided by number of panels, less 1/4"

**To determine opening width:**

Opening width = known finished panel width plus 1/4," multiplied by number of panels

**Door Height:**

= 2 3/8" less than finished opening height

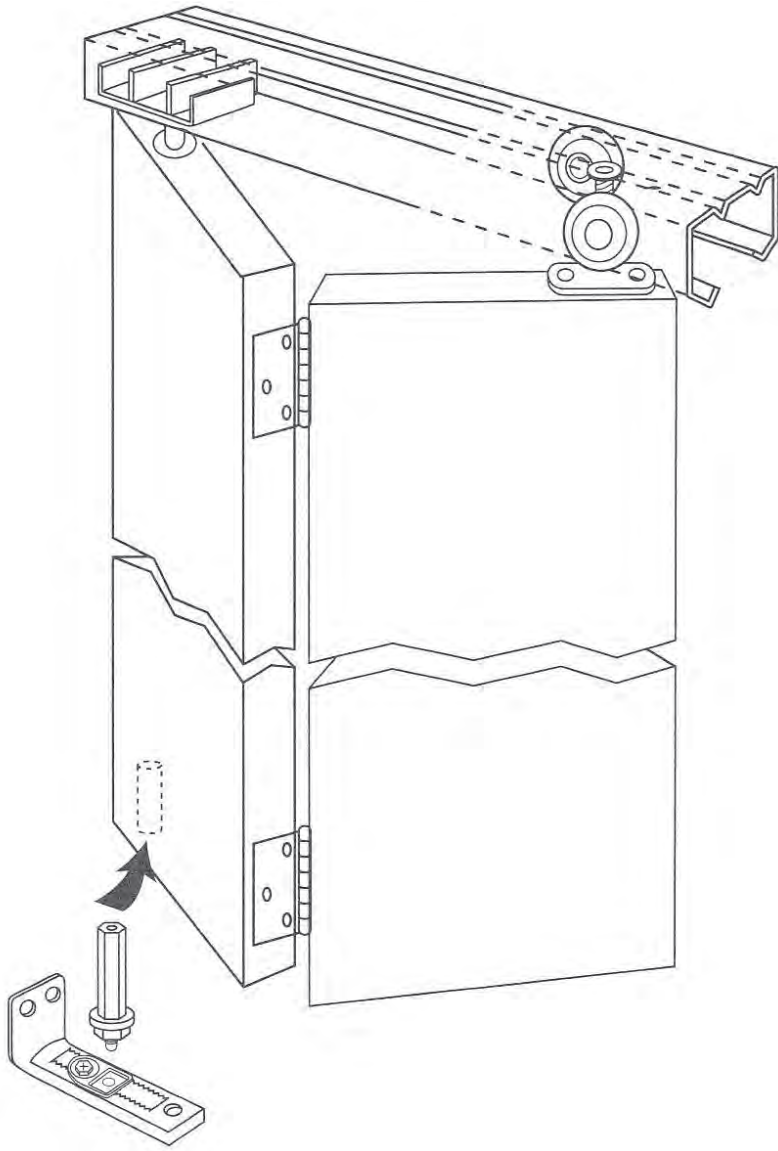
**Note:** For multi-panel sizing info, contact Customer Service

## FEATURES

- For use in high frequency installations such as in hotel/motel, hospitals and schools
- Extruded aluminum track
- Permanently lubricated 2-wheel roller carriage
- Spring loaded top pivot for easy installation
- All metal components galvanized against corrosion
- Quick, easy adjustments after installation
- Smooth, quiet operation

## ANSI REFERENCE:

50 lb. hardware conforms to ANSI A156.14 type 08621, 08642, 08652, 08661



SERIES 2600

50 LB ACME

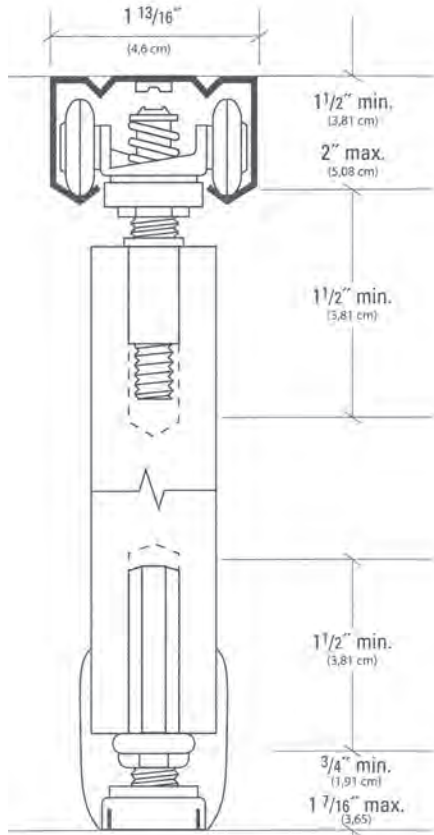
## TRACK OPTIONS

| ALUMINUM TRACK | FLOOR TRACK GUIDE | HANGER  |
|----------------|-------------------|---------|
| HW28100        | HW64370           | HW64340 |
|                | <br>Option        |         |

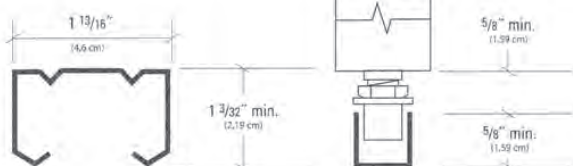
50 LB BIFOLD HARDWARE BAGSETS

SUMMARY OF BIFOLD HARDWARE BAGSETS

| ITEM/BAGSET #    | HW63450 2 DR |
|------------------|--------------|
| Jamb Bracket     | 1            |
| Bottom Pivot     | 1            |
| Top Pivot Guide  | 1            |
| Aligners         | 1            |
| Snugger          | 1            |
| Screw Pack       | Yes          |
| Adjusting Wrench | Yes          |



Optional Floor Track and Roller Guide



SERIES 2600

ACME

50 LB

# 125 LB BIFOLD HARDWARE COMPONENTS

## PANEL DIMENSIONS

**To determine panel width:**

Panel width = known finished opening width divided by number of panels, less 1/4"

**To determine opening width:**

Opening width = known finished panel width plus 1/4," multiplied by number of panels

**Door Height:**

= 2 7/8" less than finished opening height

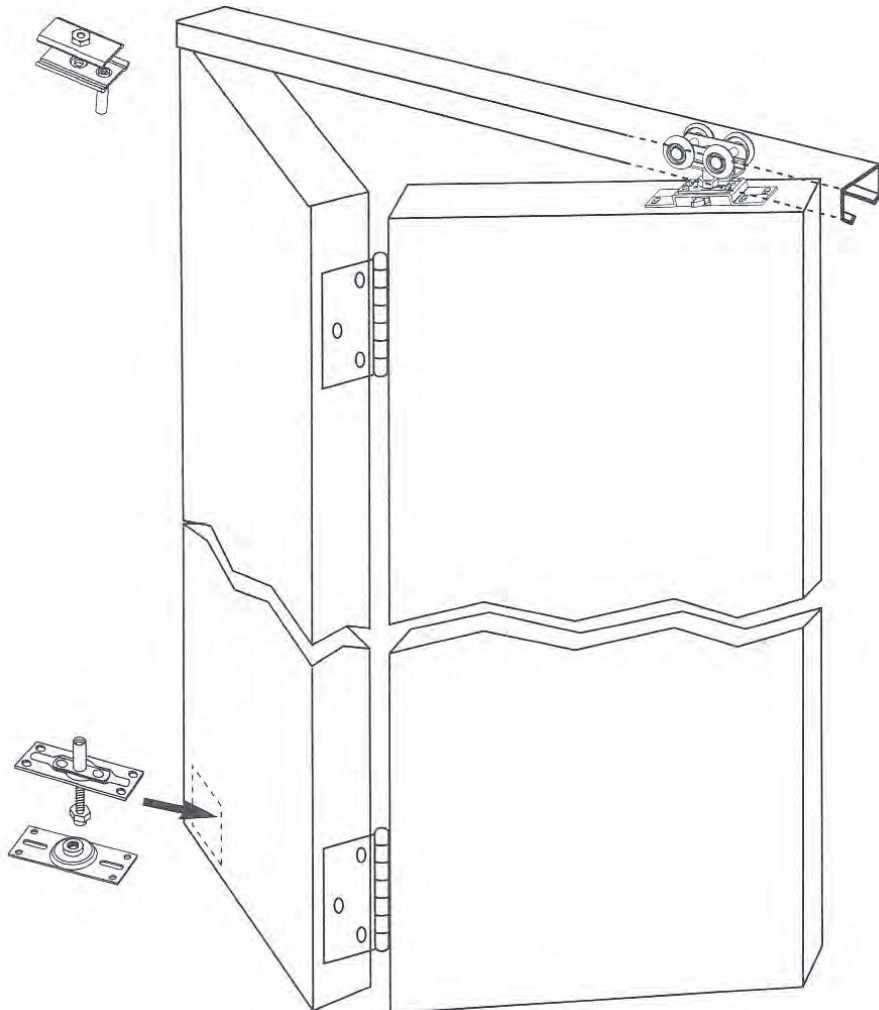
**Note:** For multi-panel sizing info, contact Renin Customer Service

## FEATURES

- For use in high frequency installations such as in hotel/motel, hospitals and schools.
- Large ball bearing wheels provide smooth action
- Easy-to-install snap-in feature makes hangers a "snap" to install
- Durable V-groove aluminum track provides smooth, quiet operation
- All metal components zinc plate to guard against corrosion
- Heavy duty pivot set designed for durability and aesthetics

## ANSI REFERENCE:

125 lb. hardware conforms to ANSI A156.14 type O8621, O8641, O8651, O8661



SERIES 2700  
125 LB ACME

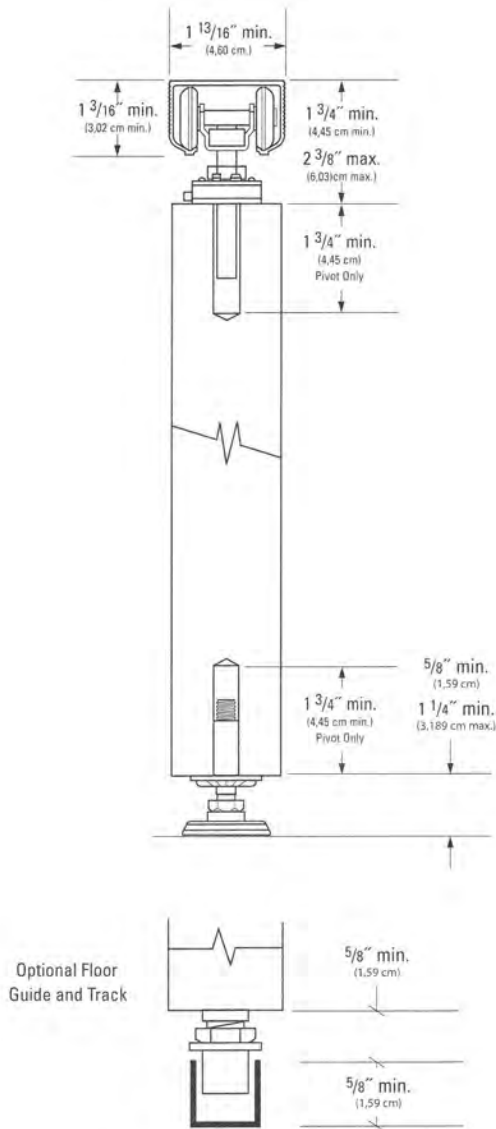
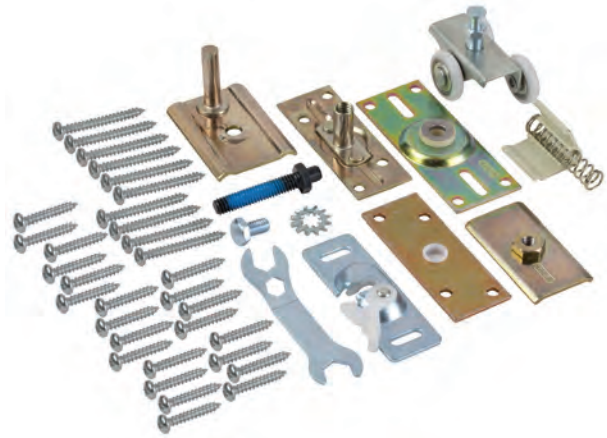
## TRACK OPTIONS

| ALUMINUM TOP TRACK | FLOOR TRACK GUIDE | GUIDE ROLLER | ADJUSTING WRENCH |
|--------------------|-------------------|--------------|------------------|
| HW28064            | HW64370           | HW64360      | HW99360          |
|                    | Option            |              |                  |

125 LB BIFOLD HARDWARE BAGSETS

SUMMARY OF BIFOLD HARDWARE BAGSETS

| ITEM/BAGSET #    | HW63530 2 DR |
|------------------|--------------|
| Jamb Bracket     | 1            |
| Bottom Pivot     | 1            |
| Top Pivot Guide  | 1            |
| Aligners         | 1            |
| Snugger          | 1            |
| Screw Pack       | Yes          |
| Adjusting Wrench | Yes          |



SERIES 2700

ACME 125 LB

# BYPASS



ACME

# COMPONENTS



## BUILDERS PANEL CLOSET BYPASS SERIES COMPONENT HARDWARE

We find beauty in the details, specializing in supplying homeowners with the functional yet tasteful door hardware they need to adorn your door with the accessories it deserves.

As a supplier of endless door and door frame designs, it's our job to ensure every installation is a beautiful one with custom door hardware. Tailored for fabricators, do-it-yourself installation or repairs, Renin's ACME door hardware can change the appearance of your doors or refresh existing hardware that has worn out over the years.

There's nothing more satisfying than a seamless door installation process and our long history crafting hardware means we can accommodate the most unique and unusual hardware specifications, while maintaining the door's integrity and keeping the instructions simple for homeowners.

| CLOSET BYPASS SERIES COMPONENTS |  |      |
|---------------------------------|--|------|
| BYPASS HARDWARE                 |  |      |
| SERIES                          | DESCRIPTION  | PAGE |
| 60 LB                           | Bypass Hardware Components (8600, 8400, 8900, 8937)                    | 144  |
| 60 LB                           | Bypass Hardware Components (With Dial Adjust - 8600, 8400, 8900, 8937) | 145  |
| 60 LB                           | Bypass Hardware Components   | 146  |
| 60 LB                           | Bypass Hardware Bagsets  | 147  |
| 150 & 250 LB                    | Bypass Hardware Components   | 148  |

 [Renin.com](http://Renin.com)

 Sales: 1 (888) 752-0427

 Customer Service: 1 (800) 493-5263

## 60 LB BYPASS HARDWARE COMPONENTS

### PANEL DIMENSIONS

**To determine panel width:**

Panel width = known finished opening width plus 1" per overlap, divided by number of panels

**To determine opening width:**

Opening width = known finished panel width multiplied by number of panels, less 1" per overlap

**Door Height:**

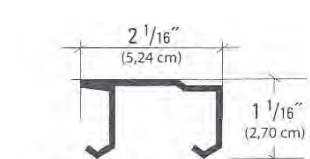
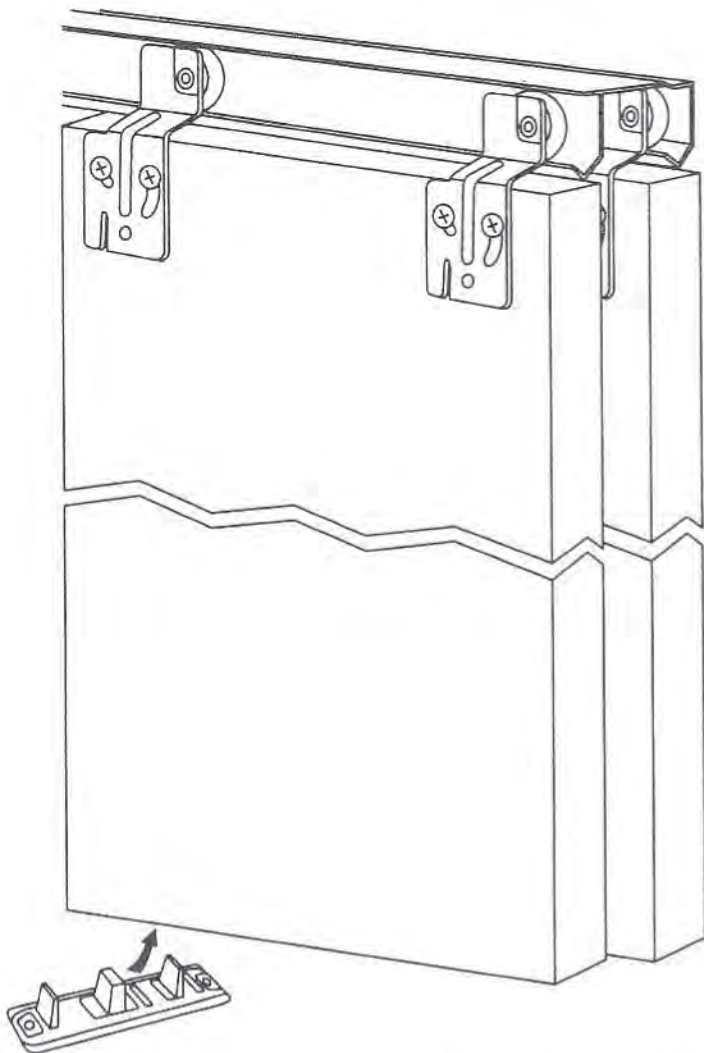
= 1 3/4" less than finished opening height

### FEATURES

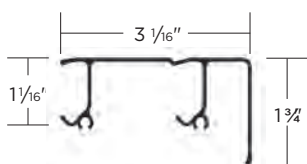
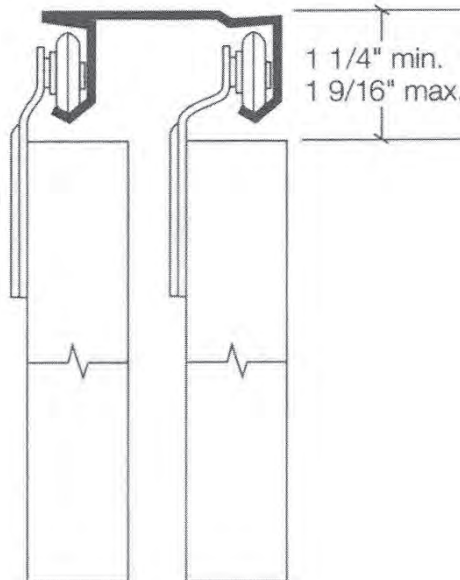
- Slotted hangers easy to adjust
- Slotted hangers easy to adjust
- Self-aligning wheel system
- Permanently lubricated thermoplastic wheel
- Vertical adjustments can be made after installation
- Hanger system allows for easy panel removal
- V-groove galvanized steel or aluminum track provides smooth, quiet operation
- All metal components galvanized against corrosion

### ANSI REFERENCE:

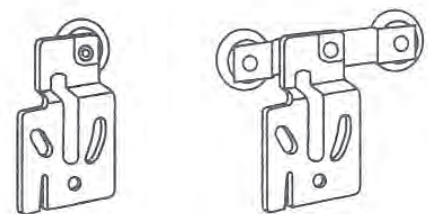
60 lb. hardware conforms to ANSI A156.14 type O8742



21114-AL (Narrow) ALUMINUM  
40054-GL (Narrow) STEEL\*  
21030-BW (Narrow) STEEL\*\*



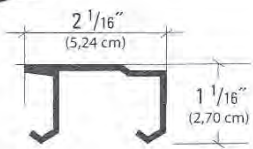
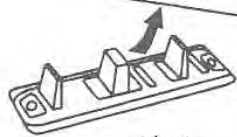
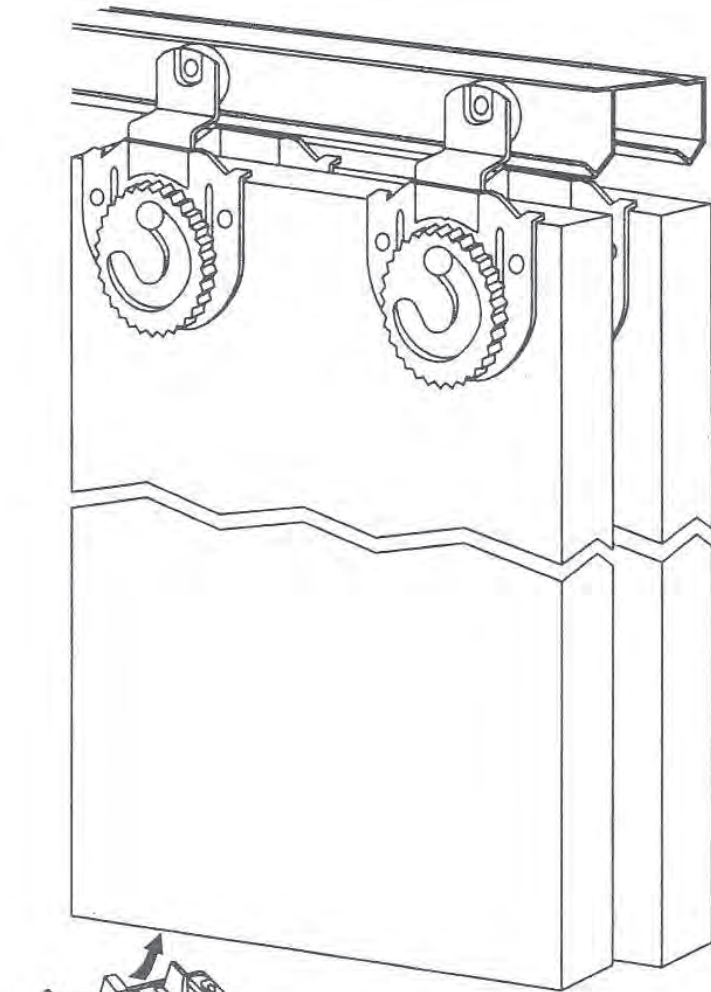
Aluminum Fascia Track (Wide)  
PN 84004-A2



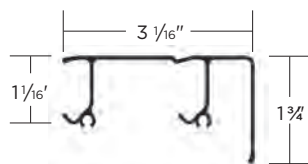
SERIES 8600/8400/8900/8937

60 LB ACME

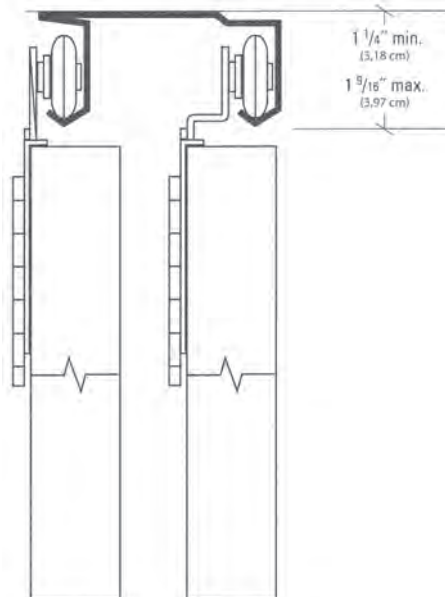
# 60 LB BYPASS HARDWARE COMPONENTS (WITH DIAL ADJUST)



- 21114-AL (Narrow) ALUMINUM
- 40054-GL (Narrow) STEEL\*
- 21030-BW (Narrow) STEEL\*\*



Aluminum Fascia Track (Wide)  
PN 84004-A2



## PANEL DIMENSIONS

### To determine panel width:

Panel width = known finished opening width plus 1" per overlap, divided by number of panels

### To determine opening width:

Opening width = known finished panel width multiplied by number of panels, less 1" per overlap

### Door Height:

= 1 5/8" less than finished opening height

## FEATURES

- Patented dial hangers provide for door adjustment with- out use of tools
- Self-aligning wheel system
- Permanently lubricated thermoplastic wheels
- Supports panels weighing from 30 to 60 pounds
- Vertical adjustments can be made after installation
- Hanger system allows for easy panel removal
- V-groove galvanized steel or aluminum track provides smooth, quiet operation

## ANSI REFERENCE:

60 lb. hardware conforms to ANSI A156.14 type O8742



60 LB BYPASS HARDWARE COMPONENTS

TRACK OPTIONS

| WIDE CENTER TRACK (NON FASCIA) ONLY ON 8600                                       | WIDE CENTER TRACK (WITH FASCIA) ONLY ON 8400                                      | WIDE CENTER TRACK HEADER (WITH WOOD) ONLY ON 8937                                 | NARROW CENTER TRACK (NON FASCIA) ONLY ON 8600                                      | NARROW CENTER TRACK (NON FASCIA) ONLY ON 8600                                       |
|---|---|---|--|---|
| HW8603  | HW84004   | HW89374   | HW4005   | HW21114   |
|  |  |  |  |  |

HANGER OPTIONS

| SINGLE WHEEL HANGER (USE WITH TRACKS HW86034, HW21114, HW21030 AND HW40054)                      | SINGLE WHEEL HANGER (USE WITH TRACKS HW4005 AND HW21114)   | TWIN WHEEL HANGER (USE WITH TRACKS HW86034, HW21114, HW40054 AND HW21030)                        | DIAL ADJUST HANGER (USE WITH TRACKS HW86034, HW21114, HW40054 AND HW21030)                         | DIAL ADJUST HANGER (USE WITH TRACKS HW40054, HW21030 AND HW21114)                                  |
|--|--|--|--|--|
| HW64400  | HW64380  | HW64430  | HW64440  | HW64450  |
| <br>1/2" offset | <br>1/4" offset | <br>1/2" offset | <br>7/16" offset | <br>1/8" offset |

SERIES 8600/8400/8937 HARDWARE COMPONENTS

PULL OPTIONS

| ROUND PULL (BRIGHT BRASS)   | ROUND PULL (BRUSHED NICKEL)   | ROUND PULL (IVORY)  | ROUND PULL (ANTIQUÉ BRASS)   | ROUND PULL (SATIN NICKEL)   |
|---|---|---|--|---|
| HW64480   | HW64485   | HW64510   | HW64500  | HW64495   |
| <br>3/4" | <br>3/4" | <br>1 3/4" | <br>2 1/8" | <br>2 1/8" |

GUIDE OPTIONS

OTHER OPTIONS





| ADJUSTABLE FLOOR GUIDE (5/8 IN HEIGHT)  | FLOOR GUIDE (1 1/8 IN HEIGHT)   | FLOOR GUIDES  | CENTER STOP   | CARPET RISER  | ANGLE STOP  |
|---|---|---|---|---|---|
| HW64560   | HW64530   | HW64540   | HW64470   | HW64550   | HW64460   |
|  |  |  |  |  |  |




SERIES 8600/8400/8900/8937

60 LB ACME

60 LB BYPASS HARDWARE BAGSETS

BAGSET OPTIONS

| ITEM/BAGSET #          | HW63340   | HW63240   | HW64445M  | HW64455  | HW63265   |
|------------------------|---|---|---|--|---|
| Hanger                 | Dial Adjust   | •   | •   | •  | •   |
|                        | Single Wheel  | 4 x 1/2"  | 2 x 1/4 & 2 x 1/2"  | 4 x 1/4"   | 2 x 1/4 & 2 x 1/2"  |
|                        | Twin Wheel  | •   | •   | •  | •   |
| Adjustable Floor Guide | 1   | 1   | •   | •  | 1   |
| Round Pull             | 2 x Ivory   | 2 x Ivory 1 3/4"  | •   | •  | 2 x Nickel  |
| Screw Pack             | Yes   | Yes   | Yes   | Yes  | Yes   |
| Bagset                 |  |  | qty 50 sets<br> | qty 50 sets<br> |  |

| ITEM/BAGSET #          | HW63260   | HW63365   | HW63375  | HW63320   | HW63330   |
|------------------------|---|---|--|---|---|
| Hanger                 | Dial Adjust   | •   | •  | 4 x (7/16 & 1/8"  | •   |
|                        | Single Wheel  | 2 x 1/4 & 2 x 1/2"  | 4 x 1/2"   | 4 x 1/2"  | •   |
|                        | Twin Wheel  | •   | •  | •   | 4 x 1/2"  |
| Adjustable Floor Guide | 1   | 1   | •  | •   | 1   |
| Round Pull             | •   | 2 x Nickel 2 1/8"   | 2 x Nickel 2 1/8"  | 2 x Brass 2 1/8"  | 2 x Ivory 1 3/4"  |
| Screw Pack             | Yes   | Yes   | Yes  | Yes   | Yes   |
| Bagset                 |  |  |  |  |  |

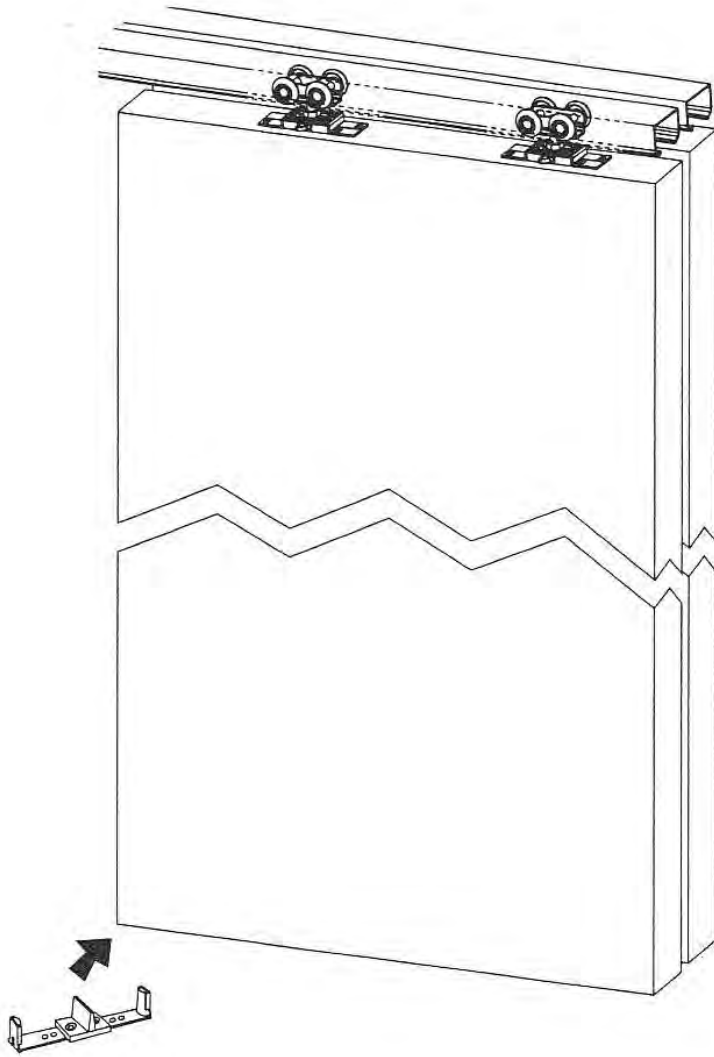
60 LB BYPASS HARDWARE BAGSETS WITH TRACK

SUMMARY OF BYPASS HARDWARE BAGSETS (ACME 2600/8900 SERIES)

| BP119K  | 8900  | 8900  |
|---|---|---|
| BP119K-04800-GL   | 8900 BP120K-04800-AL  | 8900 BP121K-04800-GL  |
| BP119K-06000-GL   | 8900 BP120K-06000-AL  | 8900 BP121K-06000-GL  |
| BP119K-07200-GL   | 8900 BP120K-07200-AL  |   |
| BP119K-09700-GL   |   |   |
|  |  |  |

# 150 & 250 LB BYPASS HARDWARE COMPONENTS

BYPASS HARDWARE COMPONENTS  
ACME  
150 & 250 LB



## PANEL DIMENSIONS

**To determine panel width:**  
Panel width = known finished opening width plus 1" per overlap, divided by number of panels

**To determine opening width:**  
Opening width = known finished panel width multiplied by number of panels, less 1" per overlap

**Door Height:**  
= 2 5/8" less than finished opening height  
**note:** For multi-panel sizing info, contact Renin Customer Service

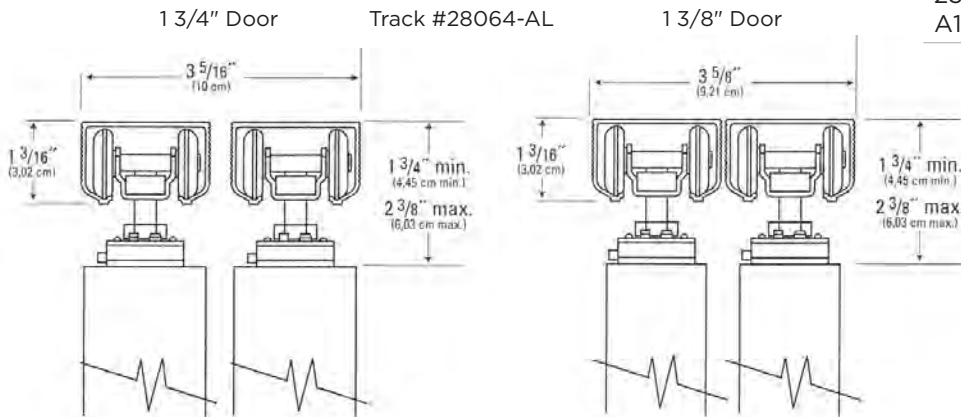
## FEATURES

- Four 1" wheels provide smooth rolling action
- Easy-to-install snap-in feature makes hangers a "snap" to install
- Vertical adjustments can be made after installation
- Supports panels weighing up to 150 lbs / 250 lbs
- Durable V-groove aluminum track provides smooth, quiet operation
- Track spacer allows for easy installation of bypass and tripass doors

## ANSI REFERENCE:


150 lb. hardware conforms to ANSI A156.14 type O8731

250 lb. hardware conforms to ANSI A156.14 type O8731



**150 & 250 LB BYPASS HARDWARE COMPONENTS**

**FEATURED AND OPTIONAL PARTS**

| TRACK (ALUMINUM)  | HANGERS: 4-WHEEL BALL BEARING   | ADJUSTABLE FLOOR GUIDE (35 MM - 45 MM)  | ADJUSTING WRENCH   | ANGLE STOP  | CENTER STOP   |
|---|---|---|--|---|---|
| HW28064   | HW63520   | HW64590   | HW99360  | HW64460   | HW64600   |
|  |  |  |  |  |  |

**150 & 250 LB HARDWARE BAGSETS AND TRACKS**

| 150 LB & 250 LB BAGSETS  | 150 LB & 250 LB BYPASS   | SERIES 2600 150 LB BAGSETS   |
|--|--|--|
| HANGER SET   | STEEL TRACK (BRIGHT WHITE)   | ALUMINUM TRACK AND HARDWARE  |
| HW63500  | HW2803-BW  | BP104K-AL  |
|  |  |  |

# POCKET

AC  
ME

# COMPONENTS

ACME



## BUILDERS PANEL CLOSET POCKET SERIES COMPONENT HARDWARE

We find beauty in the details, specializing in supplying homeowners with the functional yet tasteful door hardware they need to adorn your door with the accessories it deserves.

As a supplier of endless door and door frame designs, it's our job to ensure every installation is a beautiful one with custom door hardware. Tailored for fabricators, do-it-yourself installation or repairs, Renin's ACME door hardware can change the appearance of your doors or refresh existing hardware that has worn out over the years.

There's nothing more satisfying than a seamless door installation process and our long history crafting hardware means we can accommodate the most unique and unusual hardware specifications, while maintaining the door's integrity and keeping the instructions simple for homeowners.

| CLOSET / ROOM DIVIDER SERIES COMPONENTS             |      |
|---|------|
| POCKET DOOR HARDWARE                                |      |
| DESCRIPTION   | PAGE |
| 75 / 125 LB Pocket Door Hardware Components         | 152  |
| 125 / 200 LB Pocket Door Hardware Components        | 154  |
| 125 / 200 LB Pocket Door Hardware Components        |      |
| 125 / 200 LB Pocket Door Hardware Component Bagsets | 155  |
| Pocket Door Hardware 3 Wheel Soft Close Kit         | 156  |
| Pocket Door Hardware 4 Wheel Soft Close Kit         | 157  |

[Renin.com](http://Renin.com)

Sales: 1 (888) 752-0427

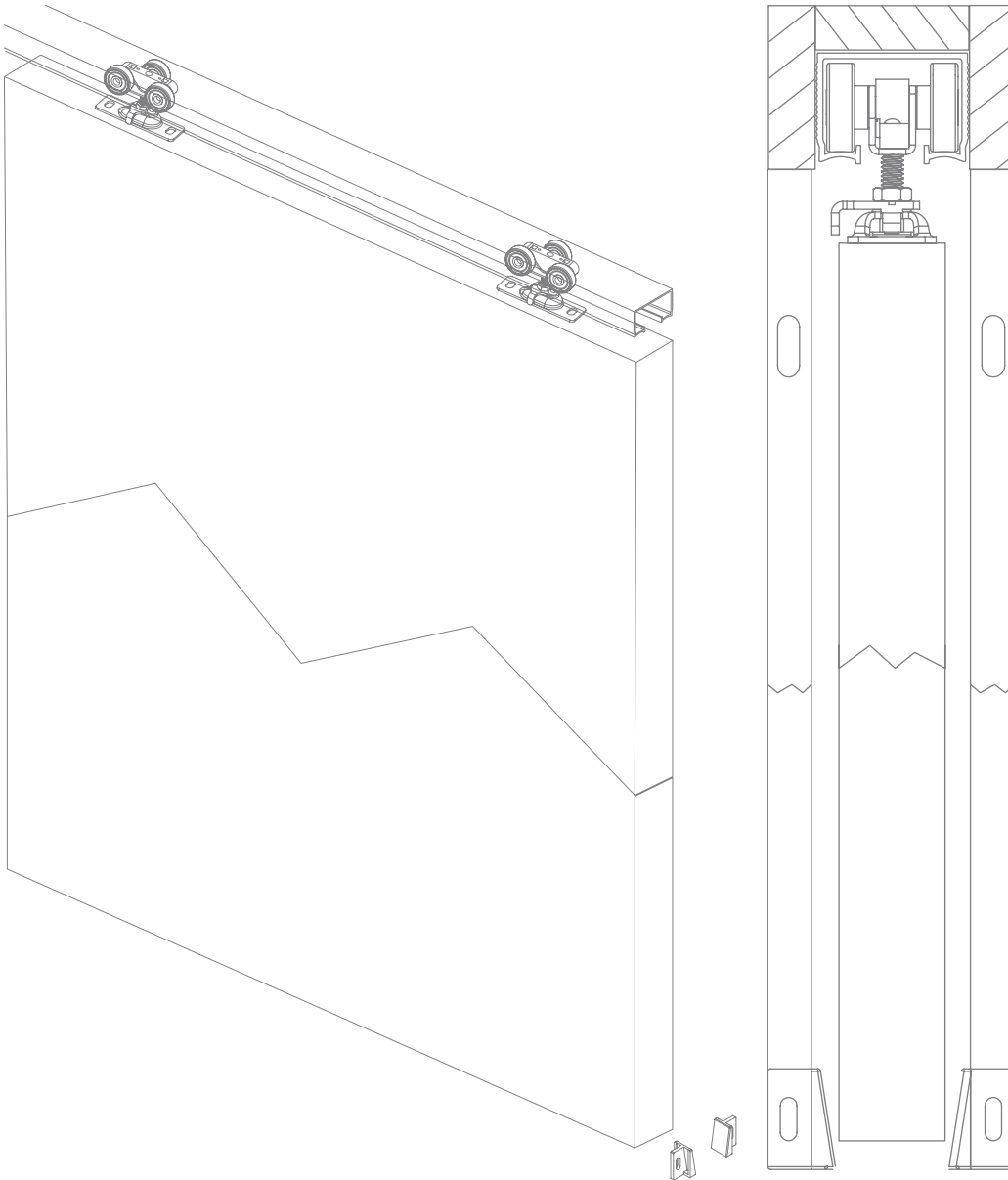
Customer Service: 1 (800) 493-5263

# 75 -125 LB POCKET DOOR HARDWARE COMPONENTS

POCKET DOOR

ACME

75 - 125 LB



Pocket Door Installation Instructions Video

*Android users please refer to your owners manual*

## FEATURED AND OPTIONAL PARTS

| STEEL TRACK | 3-WHEEL NYLON HANGER SET (80 LB) | 3-WHEEL BALL BEARING HANGER SET (125 LB) | DOOR GUIDE  | DOOR GUIDE  |
|-------------|----------------------------------|--|-------------|-------------|
| HW2803BW    | HW88385                          | HW63400                                  | HW64620     | HW64630     |
|             |                                  |  |             |             |
|             |                                  |  | 1 3/8" Door | 1 3/4" Door |



ACME

# 125 - 200 LB POCKET DOOR HARDWARE COMPONENTS

## 125 LB / 200 LB POCKET DOOR HARDWARE COMPONENTS

### SUMMARY OF POCKET DOOR HARDWARE COMPONENT

| ALUMINUM TRACK  | JAMB STIFFENER - UNPUNCHED (ALSO AVAILABLE IN SATIN GOLD)  | 3-WHEEL HANGER SET  | 3-WHEEL BALL BEARING HANGER SET   |
|---|--|---|---|
| HW10004   | HW6575BW   | HW3WPDSET125  | HW3WPDSET200  |
|    |                   |                   |    |
| BOTTOM GUIDES (PD150 / PD250)   | BUMPER STOP (PD150 / PD250)  | CENTER STOP   | ADJUSTING WRENCH  |
| HW64660   | HW64650  | HW64600   | HW99360   |
|  |                 |                 |  |
| 1 3/4 IN DOOR ADAPTER KIT   | DOOR GUIDE   | DOOR GUIDE  |   |
| PD134KIT  | HW64620  | HW64630   |   |
|  | <br>1 3/8" Door | <br>1 3/4" Door |   |

POCKET DOOR

ACME

125 - 200 LB

# 125 - 200 LB POCKET DOOR HARDWARE COMPONENT KITS

## SUMMARY OF POCKET DOOR HARDWARE KNOCK DOWN KITS

### 125 LB FRAME KITS

| ITEM #           | PD3068KDBB                      | PD3070KDBB                      | PD3080KDBB                      | PD4080KDBB                       |
|------------------|---------------------------------|---------------------------------|---------------------------------|----------------------------------|
| Available Sizes: | 36" x 80"<br>(914 mm x 2045 mm) | 36" x 84"<br>(914 mm x 2133 mm) | 36" x 96"<br>(914 mm x 2438 mm) | 48" x 96"<br>(1219 mm x 2438 mm) |

## SUMMARY OF POCKET DOOR HARDWARE KNOCK DOWN KITS

### 200 LB FRAME KITS (2 X 6 FRAME)

| ITEM #           | PD2X6KD3068                     | PD2X6KD3070                     | PD2X6KD3080                     | PD2X6KD4080                      |
|------------------|---------------------------------|---------------------------------|---------------------------------|----------------------------------|
| Available Sizes: | 36" x 80"<br>(914 mm x 2045 mm) | 36" x 84"<br>(914 mm x 2133 mm) | 36" x 96"<br>(914 mm x 2438 mm) | 48" x 96"<br>(1219 mm x 2438 mm) |



Pocket Door  
Installation  
Instructions  
Video

*Android users please refer to your owners manual*

**NEW** 3-WHEEL SOFT CLOSE POCKET DOOR HARDWARE KIT

3-WHEEL SOFT CLOSE POCKET DOOR KIT

NEW ACME



**FLAT 3 WHEEL SYSTEM SOFT CLOSE ASSEMBLY**

| DOOR WEIGHT               | PART #             |
|---------------------------|--------------------|
| 22-44 lbs<br>(10-20 kg)   | HWSCF6340-3WBB1020 |
| 44-88 lbs<br>(20-40 kg)   | HWSCF6340-3WBB2040 |
| 88-132 lbs<br>(40-60 kg)  | HWSCF6340-3WBB4060 |
| 132-187 lbs<br>(60-85 kg) | HWSCF6340-3WBB6085 |

**3-WHEEL SOFT CLOSE KIT**



**FEATURES**

- High quality acetate ball bearing, flat 3-wheel trolley and hanger system
- Add soft close functionality to sliding door applications
- Soft close smoothly causes the door to brake and then the mechanism pulls the door into its final closed position
- Soft close minimizes door rattle and slam
- Soft close prevents possible door, jamb and wall damage when the door is slammed closed
- Soft close keeps the door closed and prevents the doors from moving due to any track slope

Pocket Door Installation Instructions Video



Android users please refer to your owners manual

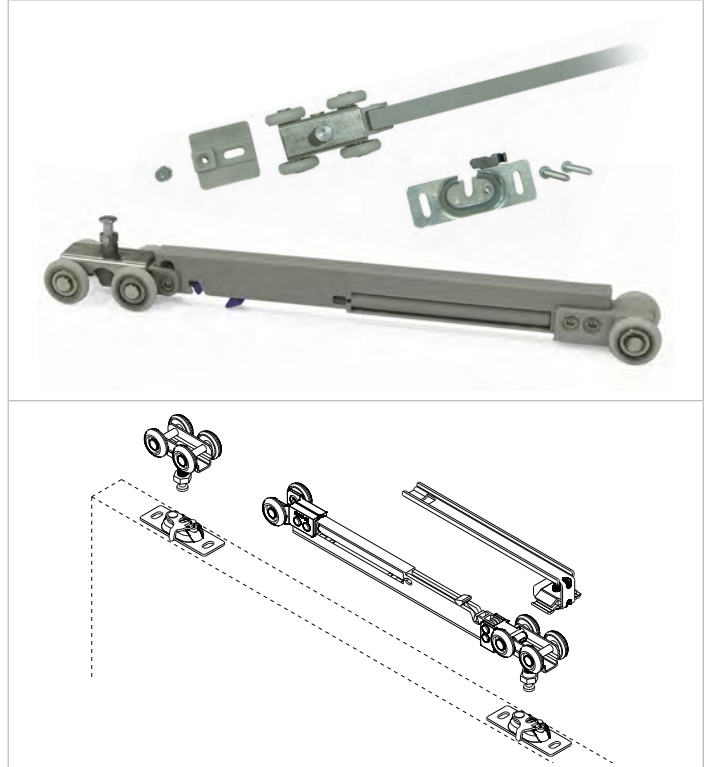
**NEW** 4-WHEEL SOFT CLOSE POCKET DOOR HARDWARE KIT



**4 WHEEL SYSTEM SOFT CLOSE ASSEMBLY**

| DOOR WEIGHT               | PART #             |
|---------------------------|--------------------|
| 22-44 lbs<br>(10-20 kg)   | HWSCF6420-4WBB1020 |
| 44-88 lbs<br>(20-40 kg)   | HWSCF6420-4WBB2040 |
| 88-132 lbs<br>(40-60 kg)  | HWSCF6420-4WBB4060 |
| 132-187 lbs<br>(60-85 kg) | HWSCF6420-4WBB6085 |

**4-WHEEL SOFT CLOSE KIT**



4-WHEEL SOFT CLOSE POCKET DOOR KIT

ACME NEW

**FEATURES**

- High quality acetate ball bearing 4-wheel trolley and hanger system
- Add soft close functionality to sliding door applications
- Soft close smoothly causes the door to brake and then the mechanism pulls the door into its final closed position
- Soft close minimizes door rattle and slam
- Soft close prevents possible door, jamb and wall damage when the door is slammed closed
- Soft close keeps the door closed and prevents the doors from moving due to any track slope

Pocket Door Installation Instructions Video



Android users please refer to your owners manual

# CLOSET ORGANIZER

ACME

# COMPONENTS




## CLOSET ORGANIZER

ACME Closet Shelf Systems are designed to provide high quality alternatives to standard unfinished closet shelves. Our systems feature prefinished shelving components that are easy-to-clean.

| CLOSET SYSTEM COMPONENTS: HANGER BAR AND SHELVING |   |      |
|---|---|------|
| CLOSET SYSTEM HARDWARE                            |   |      |
| SERIES  | DESCRIPTION   | PAGE |
| 4820  | 5/32" (4 mm) thick Closet Shelf & Hanger Bar System | 160  |
|   | 5/32" (4 mm) thick Closet Shelf System Components   | 161  |
| 4830  | 5/8" (16 mm) thick Closet Shelf & Hanger Bar System | 162  |
|   | 5/8" (16 mm) thick Closet Shelf System Components   | 163  |
| 4820/4830   | Closet System Components                            | 164  |

 [Renin.com](http://Renin.com)

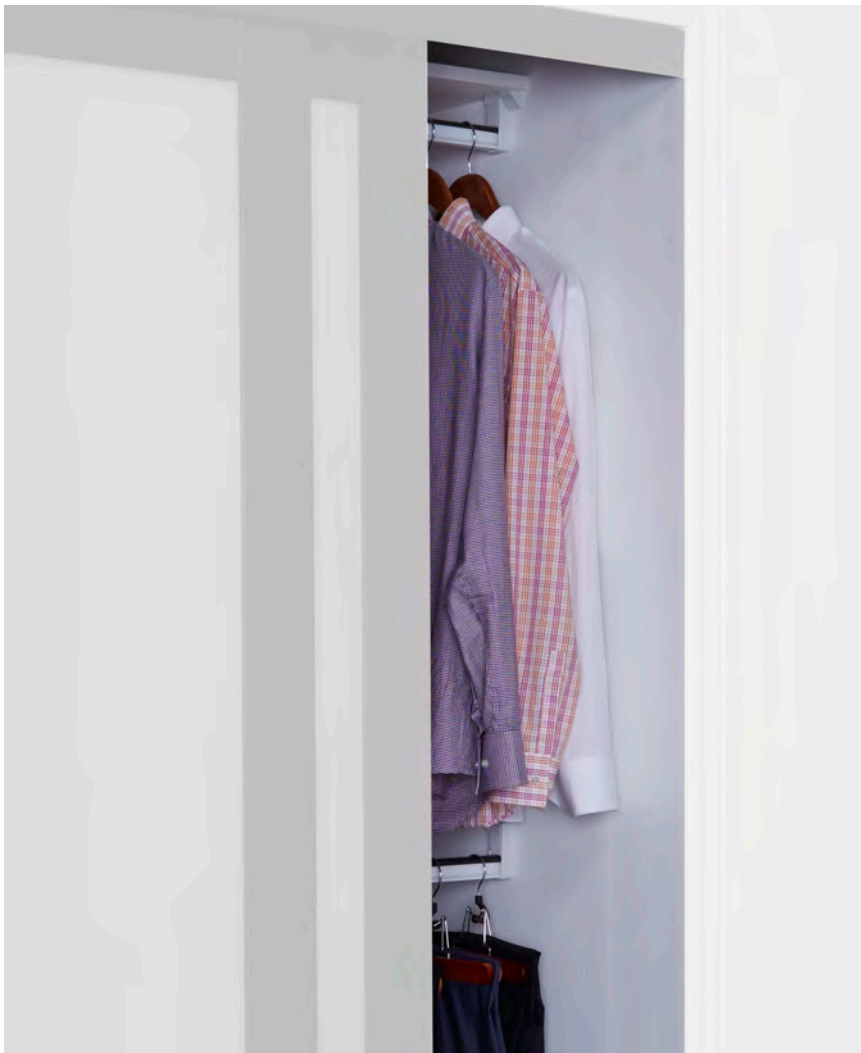
 Sales: 1 (888) 752-0427

 Customer Service: 1 (800) 493-5263

## 5/32" (4 MM) THICK CLOSET SHELF & HANGER BAR SYSTEM

4820 CLOSET SHELF & HANGER BAR SYSTEM

ACME



### SHELF EDGE FINISH



Bright White

### FEATURES

- 4820 Closet Shelving and Organizer System requires no unsightly cleats and no painting after installation.
- A wide variety of configurations can be designed from these modular components, each custom-manufactured for precise fit.
- The system is designed for multiple closet and linen shelf installation in multi-family housing units and provides a higher quality than standard board shelves.





The ACME 4820 Shelf with Hanger Bar System offers a wide variety of configurations, each custom-manufactured for precise fit. A rugged vinyl cap snaps over the hanger bar sliding surface to promote easier hanger movement and excellent resistance to scratches. We recommend a center brace shelf support with hanger bar (48230) for shelving in excess of 4 ft (1.22 m) long and one for each additional 4 ft (1.22 m).

We recommend shelving that is prefinished measuring 5/32" (4 mm) thick and 12" (305 mm) or 16" (406 mm) deep assembled together with plastic moulded end brackets and prefinished roll-formed steel shelf edges. For best performance use board with both sides prefinished.

5/32" (4 mm) prefinished panel shelf board is recommended to be finished with steel shelf edge (front and back). Shelves are not included.

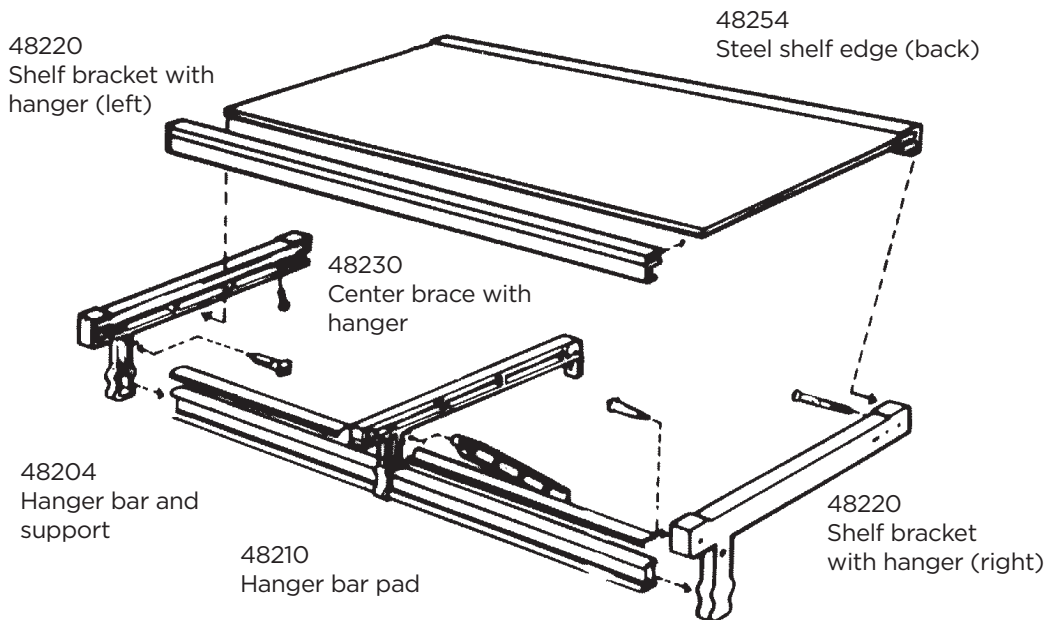
| MATERIAL        | TYPICAL SHELF DEPTH          | CLOSET WIDTH   |
|-----------------|------------------------------|--|
| Plastic & Steel | 12" (305 mm) or 16" (405 mm) | Available for any closet opening width. Support with center brace for shelving in excess of 4ft (1.22 m) |

# 5/32" (4 MM) THICK CLOSET SHELF SYSTEM COMPONENTS

| 5/32" (4 MM) SHELF BRACKET WITH HANGER  |                  |   |
|---|------------------|---|
| PRODUCT IMAGE   | PART NUMBER      | DESCRIPTION   |
|    | HW48220-01200-BW | Plastic shelf brackets with hanger.   |
|   | HW48220-01600-BW | Hanger bar inserts directly inside both left and right shelf supports for a clean installation.<br>Available in both 12" (305 mm) and 16" (406 mm) depth. |
| 5/32" (4 MM) CENTRE BRACE WITH HANGER   |                  |   |
|    | HW48230-01200-BW | Shelving in excess of 4 ft (1220 mm) long must be supported with a center brace and one for each additional 4 ft (1220 mm).                               |
|   | HW48230-01600-BW | Easily thread the hanger bar through the center support.<br>Available in both 12" (305 mm) and 16" (406 mm) depth.  |
| 5/32" (4 MM) LINEN SHELF CENTRE BRACE WITH SUPPORT LEG                              |                  |   |
|   | HW48230-000-BW   | Shelving in excess of 4 ft (1220 mm) long must be supported with a center brace and one for each additional 4 ft (1220 mm).                               |
|   | HW48230-003-BW   | Available in both 12" (305 mm) and 16" (406 mm) depth.  |
| 5/32" (4 MM) LINEN SHELF CENTRE BRACE WITH SUPPORT LEG                              |                  |   |
|  | HW48240-01200-BW | Plastic shelf brackets.   |
|   | HW48240-01600-BW | Shelf boards slot directly inside the support for a clean installation.   |

4820 CLOSET SYSTEM COMPONENTS

ACME



## 5/8" (16 MM) THICK CLOSET SHELF & HANGER BAR SYSTEM

4830 CLOSET SHELF & HANGER BAR SYSTEM

ACME



### SHELF EDGE FINISH



Bright White

### FEATURES

- The ACME 4830 Shelf System is ideal for residential housing. All fastening hardware is hidden and easily installs, requiring no painting of shelf supports.
- Available in white plastic with matching hardware, accessories and options.
- The system is designed for multiple closet and linen shelf installation in multi-family housing units and provides a higher quality than standard board shelves.


The ACME 4830 Shelf with Hanger Bar System offers a wide variety of configurations, each custom-manufactured for precise fit. A rugged vinyl cap snaps over the hanger bar sliding surface to promote easier hanger movement and excellent resistance to scratches. We recommend a center brace shelf support with hanger bar (48310) for shelving in excess of 4 ft (1.22 m) long and one for each additional 4 ft (1.22 m).

For best performance use board with both sides prefinished. We recommend a center brace shelf support (48310) for shelving in excess of 4 ft (1.22 m) long and one for each additional 4 ft (1.22 m). Shelves are not included.


| MATERIAL        | TYPICAL SHELF DEPTH          | CLOSET WIDTH  |
|-----------------|------------------------------|---|
| Plastic & Steel | 12" (305 mm) or 16" (405 mm) | Available for any closet opening width. Support with center brace for shelving in excess of 4 ft (1.22 m) |

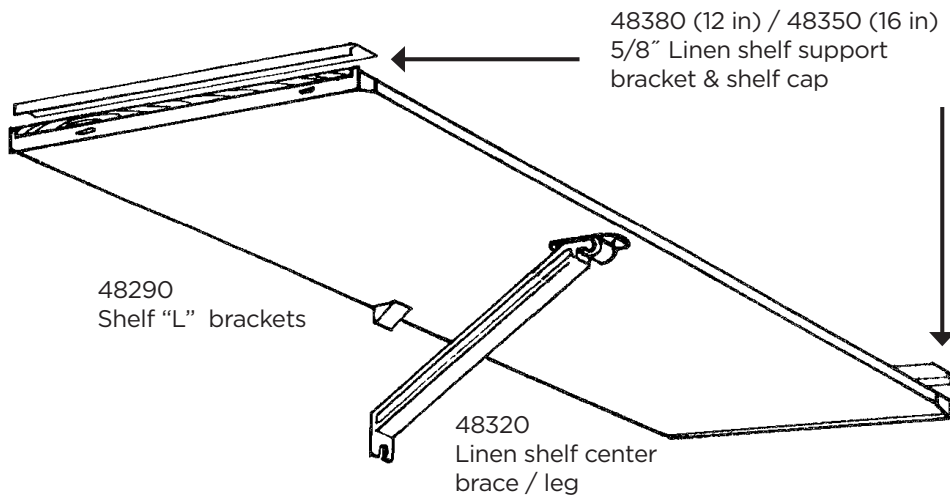
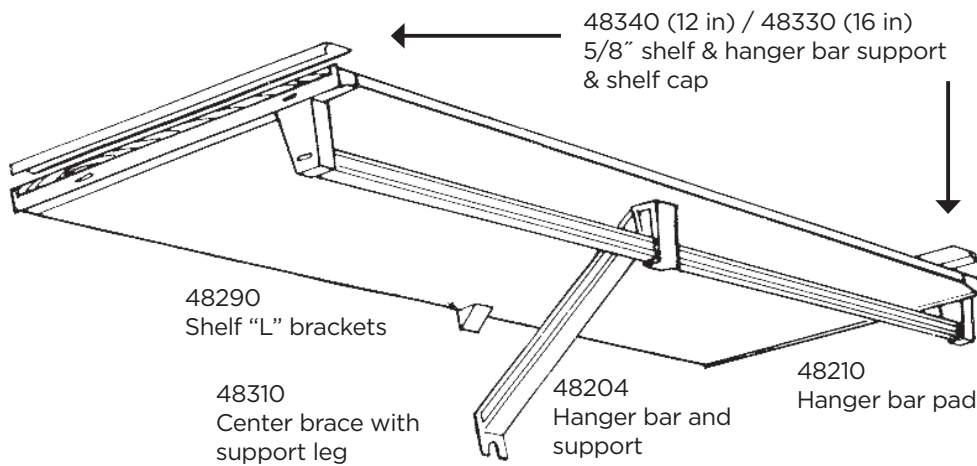
# 5/8" (16 MM) THICK CLOSET SHELF SYSTEM COMPONENTS

## 5/8" (16 MM) LINEN SHELF SUPPORT BRACKET & SHELF CAP

| PRODUCT IMAGE   | PART NUMBER    | DESCRIPTION  |
|---|----------------|--|
|  | HW48380-L12-BW | The plastic hardware feature caps that cover the shelf edges for a clean finish. |
|   | HW48350-L16-BW |  |

## 5/8" (16 MM) SHELF & HANGER BAR SUPPORT & SHELF CAP

|   |                |   |
|---|----------------|---|
|  | HW48340-H12-BW | Plastic shelf brackets with hanger bar support. Shelf boards slot directly inside the support for a clean installation. |
|   | HW48330-H16-BW | Hanger bar inserts directly inside both shelf supports.   |



## 4820 & 4830 CLOSET SYSTEM COMPONENTS

### SHELF EDGE 4820/4830

| PRODUCT IMAGE | PART NUMBER            | DESCRIPTION   |
|---------------|------------------------|---|
|               | HW4825BW01B (per Inch) | Finishes and protects the shelf board.<br>Roll-formed steel in Bright White finish.                           |
|               | HW4825BW01B14400       | Front and back application.<br>Eliminates unsightly shelf cleats and requires no painting after installation. |

### CENTRE BRACE WITH SUPPORT LEG

|  |                |  |
|--|----------------|--|
|  | HW48310-000-BW | Plastic shelf brackets with hanger.<br>Hanger bar inserts directly inside both left and right shelf supports for a clean installation.<br>Available in both 12" (305 mm) and 16" (406 mm) depth. |
|--|----------------|--|

### LINEN SHELF CENTRE BRACE / LEG

|  |                |  |
|--|----------------|--|
|  | HW48320-000-BW | Shelving in excess of 4 ft (1220 mm) long must be supported with a center brace and one for each additional 4ft (1220 mm).<br>Easily thread the hanger bar through the center support.<br>Available in both 12" (305 mm) and 16" (406 mm) depth. |
|--|----------------|--|

### HANGER BAR AND SUPPORT (COMMON FOR 4820 AND 4830 SYSTEMS)

|  |                         |   |
|--|-------------------------|---|
|  | HW48204BW01B (per Inch) | Roll-formed steel hanger bars in Bright White finish. |
|  | HW48204-14404-BW        |   |

### HANGER BAR PAD (COMMON FOR 4820 AND 4830 SYSTEMS)

|  |                  |  |
|--|------------------|--|
|  | HW48210-14400-AB | Protective caps come in Brown (shown) and Clear finish and snap onto the hanger bar. |
|  | HW48210-14400-CL |  |

## 4820 & 4830 CLOSET SYSTEM COMPONENTS

| HANGER BAR SOCKET COVER (COMMON FOR 4820 AND 4830 SYSTEMS) |                |  |
|--|----------------|--|
| PRODUCT IMAGE  | PART NUMBER    | DESCRIPTION  |
|  | HW48300-000-BW | Covers snap into sockets to complete the installation.   |
|  | HW48300-000-AS |  |
| ANCHORS (COMMON FOR 4820 AND 4830 SYSTEMS)                 |                |  |
|  | HW48280        | Wall Anchors to hold the shelf in place.   |
| SHELF "L" BRACKETS (COMMON FOR 4820 AND 4830 SYSTEMS)      |                |  |
|  | HW48290-000-BW | L brackets provide extra support along the back wall.  |
|  | HW48290-BLK-BW | Required for shelves 60" or greater.<br>Add one bracket every 2 ft.                            |
|  | HW48290-000-AL | Locate over studs for greater strength where possible or apply wall anchors (sold separately). |

# MIRRORS

DE  
COR

LED BACK-LIT

DECOR



## LED BACK-LIT WALL DECOR MIRRORS

LED illuminated frameless mirrors make any space feel modern, light and bright. A well-placed mirror makes the most of a room's natural light, enhances views and can visually open up spaces to create new height and depth.

Whether you want to expand a small bathroom with a large wall mirror or spend glam time getting ready in front of one of our mirrors, browse our selection and you'll quickly discover why it's so easy to see yourself with a Renin mirror.

| MIRRORS      |           |  |      |
|--------------|-----------|--|------|
| LED BACK-LIT |           |  |      |
| MODEL        | NAME      | DESCRIPTION  | PAGE |
| 200169       | Capri     | Inset 2-Strip Back-Lit Rectangular Mirror                | 168  |
| 200170       | Portofino | Inset Frame Back-Lit Rectangular Mirror                  |      |
| 200097       | Modena    | Inset Frame Back-Lit Rectangular Mirror On Mirror Design |      |
| 200155       | Florence  | Inset Frame Back-Lit Oval Mirror                         | 169  |
| 200145       | Vienna    | Inset Frame Back-Lit Rectangular Mirror                  |      |
| 200146       | Bolero    | Inset Frame Back-Lit Rectangular Mirror                  |      |
| 200158       | Landscape | Edge Frame Back-Lit Rectangular Mirror                   | 170  |
| 200156       | Melody    | Edge Frame Back-Lit Rectangular Mirror With Bluetooth®   |      |
| 200157       | Symphony  | Edge Strip Back-Lit Rectangular Mirror With Bluetooth®   |      |
| 200172-NL    | Cassini   | Led Illuminated Medicine Cabinet Mirror                  | 171  |
| 200171-NL    | Antica    | Led Illuminated Medicine Cabinet Mirror                  |      |

### FEATURES

- On/off sensor touch light with dimmer control
- Integrated Bluetooth® enabled wireless speaker to connect your media devices on Melody and Symphony
- Great for use in bathrooms, bedrooms and common areas
- Illuminated mirror provides balanced lighting
- Mounting hardware included
- 5 year warranty
- Hardware installation required

| HOURS USAGE | DAYLIGHT COLOR TEMPERATURE | USES LESS ENERGY |
|-------------|----------------------------|------------------|
| 50,000      | 6,000 Kelvin               | 75%              |

[Renin.com](http://Renin.com)

Sales: 1 (888) 752-0427

Customer Service: 1 (800) 493-5263

Hardwired  
Led Mirror  
Installation  
Instructions



Android users please refer to your owners manual

## LED BACK-LIT WALL DECOR MIRRORS

### CAPRI



FRAME TYPE

LED Illuminated Mirror

FRAME SIZE

| INCHES    | CENTIMETERS         |
|-----------|---------------------|
| 24" x 32" | 60.96 cm x 81.28 cm |

LUMENS

1,884

PRODUCT NUMBER

200169

### PORTOFINO



FRAME TYPE

LED Illuminated Mirror

FRAME SIZE

| INCHES    | CENTIMETERS         |
|-----------|---------------------|
| 24" x 32" | 60.96 cm x 81.28 cm |

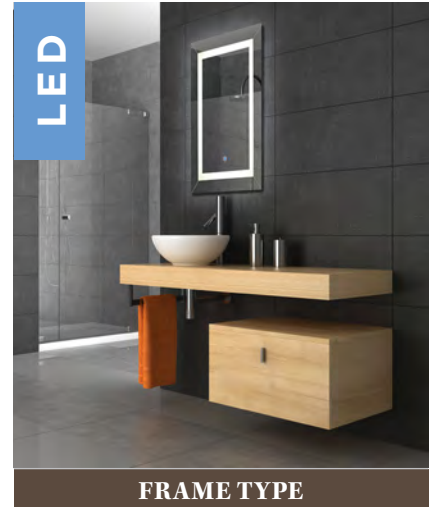
LUMENS

2,640

PRODUCT NUMBER

200170

### MODENA



FRAME TYPE

LED Illuminated Mirror

FRAME SIZE

| INCHES    | CENTIMETERS         |
|-----------|---------------------|
| 24" x 32" | 60.96 cm x 81.28 cm |

LUMENS

2,640

PRODUCT NUMBER

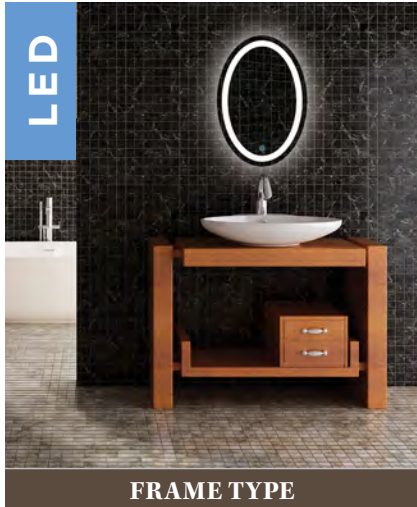
200097

LED BACK-LIT WALL DECOR MIRRORS

DECOR

## LED BACK-LIT WALL DECOR MIRRORS

### FLORENCE



**FRAME TYPE**

LED Illuminated Mirror

**FRAME SIZE**

| INCHES    | CENTIMETERS         |
|-----------|---------------------|
| 21" x 31" | 53.34 cm x 78.74 cm |

**LUMENS**

1,941

**PRODUCT NUMBER**

200155

### VIENNA



**FRAME TYPE**

LED Illuminated Mirror

**FRAME SIZE**

| INCHES    | CENTIMETERS         |
|-----------|---------------------|
| 30" x 42" | 76.2 cm x 106.68 cm |

**LUMENS**

2,640

**PRODUCT NUMBER**

200145

### BOLERO



**FRAME TYPE**

LED Illuminated Mirror

**FRAME SIZE**

| INCHES    | CENTIMETERS           |
|-----------|-----------------------|
| 54" x 42" | 137.16 cm x 106.68 cm |

**LUMENS**

2,640

**PRODUCT NUMBER**

200146

## LED BACK-LIT WALL DECOR MIRRORS

### LANDSCAPE



LED

**FRAME TYPE**

LED Illuminated Mirror

**FRAME SIZE**

| INCHES    | CENTIMETERS         |
|-----------|---------------------|
| 36" x 32" | 91.44 cm x 81.28 cm |

**LUMENS**

2,596

**PRODUCT NUMBER**

200158

### MELODY with Bluetooth®



LED

Bluetooth®

**FRAME TYPE**

LED Illuminated Mirror with Bluetooth® enabled wireless speaker

**FRAME SIZE**

| INCHES    | CENTIMETERS         |
|-----------|---------------------|
| 32" x 24" | 81.28 cm x 60.96 cm |

**LUMENS**

2,596

**PRODUCT NUMBER**

200156

### SYMPHONY with Bluetooth®



LED

Bluetooth®

**FRAME TYPE**

LED Illuminated Mirror with Bluetooth® enabled wireless speaker

**FRAME SIZE**

| INCHES    | CENTIMETERS         |
|-----------|---------------------|
| 32" x 24" | 81.28 cm x 60.96 cm |

**LUMENS**

1,584

**PRODUCT NUMBER**

200157

LED BACK-LIT WALL DECOR MIRRORS

DECOR

# LED BACK-LIT MEDICINE CABINET WALL DECOR MIRRORS

## CASSINI *2 door medicine cabinet*



**FRAME TYPE**

LED illuminated 2 door medicine cabinet mirror

### FRAME SIZE

| INCHES      | CENTIMETERS         |
|-------------|---------------------|
| 24" x 27.5" | 60.96 cm x 69.85 cm |

### LUMENS

1,320

### FEATURES

- Adjustable 6mm Tempered glass shelves
- 2 Door Design

### PRODUCT NUMBER

200172-NL

## ANTICA *1 door medicine cabinet*



**FRAME TYPE**

LED illuminated 1 door medicine cabinet mirror

### FRAME SIZE

| INCHES      | CENTIMETERS        |
|-------------|--------------------|
| 20" x 27.5" | 50.8 cm x 69.85 cm |

### LUMENS

2,112

### FEATURES

- Adjustable 6mm Tempered glass shelves
- 1 Door Design

### PRODUCT NUMBER

200171-NL

# MIRRORS



**DE  
COR**

# FRAMELESS



## WALL DECOR MIRRORS FRAMELESS

A beautiful home is one that reflects your personal style, and what better way to do so then with the elegant addition of a mirror. As an innovator in home design, we've created a lineup of mirrors with the ability to instantly enlarge a space or accentuate its features.

Browse our selection of mirrors and you'll quickly discover why it's so easy to see yourself with a Renin mirror.

| 1/2" BEVELED EDGE MIRRORS |                          |                  |  |      |
|---------------------------|--------------------------|------------------|--|------|
| FRAMELESS                 |                          |                  |  |      |
| MODEL                     | SIZE IN INCHES           | SIZE IN MM       | DESCRIPTION  | PAGE |
| 201120                    | 20" x 24"                | 508 mm x 610 mm  | 3 mm clear 1/2" beveled mirror with hanging hardware | 174  |
| 201180                    | 24" x 30"                | 610 mm x 762 mm  | 3 mm clear 1/2" beveled mirror with hanging hardware |      |
| 201200                    | 24" x 36"                | 610 mm x 914 mm  | 3 mm clear 1/2" beveled mirror with hanging hardware |      |
| 201240                    | 30" x 36"                | 762 mm x 914 mm  | 3 mm clear 1/2" beveled mirror with hanging hardware |      |
| 201260                    | 30" x 42"                | 762 mm x 1067 mm | 3 mm clear 1/2" beveled mirror with hanging hardware |      |
| 201280                    | 30" x 48"                | 762 mm x 1219 mm | 3 mm clear 1/2" beveled mirror with hanging hardware |      |
| 201320                    | 36" x 36"                | 914 mm x 914 mm  | 3 mm clear 1/2" beveled mirror with hanging hardware |      |
| 201360                    | 36" x 48"                | 914 mm x 1219 mm | 3 mm clear 1/2" beveled mirror with hanging hardware |      |
| 205200                    | 14" x 54"                | 356 mm x 1372 mm | 3 mm clear 1/2" beveled mirror with hanging hardware |      |
| 205220                    | 16" x 60"                | 406 mm x 1524 mm | 3 mm clear 1/2" beveled mirror with hanging hardware |      |
| 201000                    | 12" x 12"<br>(Pack of 6) | 305 mm x 305 mm  | 3 mm clear 1/2" beveled mirror with hanging hardware |      |

| POLISHED EDGE MIRRORS |                          |                  |   |      |
|-----------------------|--------------------------|------------------|---|------|
| FRAMELESS             |                          |                  |   |      |
| MODEL                 | SIZE IN INCHES           | SIZE IN MM       | DESCRIPTION   | PAGE |
| 201204                | 24" x 36"                | 610 mm x 914 mm  | 4 mm clear polished edge mirror with hanging hardware | 175  |
| 201244                | 30" x 36"                | 762 mm x 914 mm  | 4 mm clear polished edge mirror with hanging hardware |      |
| 201324                | 36" x 36"                | 914 mm x 914 mm  | 4 mm clear polished edge mirror with hanging hardware |      |
| 201364                | 36" x 48"                | 914 mm x 1219 mm | 4 mm clear polished edge mirror with hanging hardware |      |
| 201384                | 36" x 60"                | 914 mm x 1524 mm | 4 mm clear polished edge mirror with hanging hardware |      |
| 201414                | 36" x 42"                | 914 mm x 1067 mm | 4 mm clear polished edge mirror with hanging hardware |      |
| 201010                | 12" x 12"<br>(Pack of 6) | 305 mm x 305 mm  | 4 mm clear polished edge mirror with hanging hardware |      |

## FRAMELESS BEVELED EDGE MIRRORS



FRAMELESS BEVELED EDGE MIRRORS

DECOR

### FRAMELESS BEVELED EDGE MIRRORS

Frameless Mirrors 3 mm Clear 1/2" Beveled Mirror With Hanging Hardware

#### FRAME TYPE

Frameless Beveled Mirrors

#### AVAILABLE FRAME SIZE

| MODEL  | INCHES    | MILLIMETERS      |
|--------|-----------|------------------|
| 201120 | 20" x 24" | 508 mm x 610 mm  |
| 201180 | 24" x 30" | 610 mm x 762 mm  |
| 201200 | 24" x 36" | 610 mm x 914 mm  |
| 201240 | 30" x 36" | 762 mm x 914 mm  |
| 201260 | 30" x 42" | 762 mm x 1067 mm |
| 201280 | 30" x 48" | 762 mm x 1219 mm |
| 201320 | 36" x 36" | 914 mm x 914 mm  |
| 201360 | 36" x 48" | 914 mm x 1219 mm |
| 205200 | 14" x 54" | 356 mm x 1372 mm |
| 205220 | 16" x 60" | 406 mm x 1524 mm |
| 201000 | 12" x 12" | 305 mm x 305 mm  |

#### FEATURES

- 3 mm Frameless mirror
- Hangs vertically or horizontally
- 1/2" Beveled edge
- Mounting Hardware Included



## FRAMELESS POLISHED EDGE MIRRORS



### FRAME TYPE

Frameless Polished Edge Mirrors

### AVAILABLE FRAME SIZE

| MODEL  | INCHES    | MILLIMETERS      |
|--------|-----------|------------------|
| 201204 | 24" x 36" | 610 mm x 914 mm  |
| 201244 | 30" x 36" | 762 mm x 914 mm  |
| 201324 | 36" x 36" | 914 mm x 914 mm  |
| 201364 | 36" x 48" | 914 mm x 1219 mm |
| 201384 | 36" x 60" | 914 mm x 1524 mm |
| 201414 | 36" x 42" | 914 mm x 1067 mm |
| 201010 | 12" x 12" | 305 mm x 305 mm  |

### FEATURES

- 4 mm Frameless mirror
- Hangs vertically or horizontally
- Polished edge
- Mounting Hardware Included

### FRAMELESS POLISHED EDGE MIRRORS

Frameless Mirrors 3 mm Clear Polished Edge Mirror With Hanging Hardware

PENDANT

DE  
COR

LIGHTING

DECOR

## **NEW** PENDANT LIGHTING

Illuminate your space with Renin's stylish selection of lighting fixtures. Available in a wide variety of styles, colors, and finishes; our lighting fixtures will bring a sleek and effortless look to any room, of any style.

| 1/2" BEVELED EDGE MIRRORS |                |  |                 |      |
|---------------------------|----------------|--|-----------------|------|
| FRAMELESS                 |                |  |                 |      |
| MODEL NAME                | PRODUCT NUMBER | FINISH                                 | DESCRIPTION     | PAGE |
| Millstreet                | 271000         | Matte Black Exterior & White Interior  | 1-Light Pendant | 178  |
| Shimmer                   | 271001         | Satin Nickel Exterior & White Interior | 1-Light Pendant |      |
| Prism                     | 271002         | Chrome Exterior & Clear Glass          | 1-Light Pendant | 179  |
| Amber                     | 271003         | Chrome Exterior & Amber Glass          | 1-Light Pendant |      |

### FEATURES

- Dimmable: Fully dimmable with compatible dimmer switch to create the perfect atmosphere
- Easy Install: Includes all mounting hardware for quick and easy installation
- Modern Design: The polished chrome accent and blown glass are an effortless design element for any interior space
- Adjustable rod length
- Bulb Requirements: 60W bulb (sold separately)
- 3 Year Limited Warranty

Renin.com

Sales: 1 (888) 752-0427

Customer Service: 1 (800) 493-5263

Pendant Lights Installation Instructions



Android users please refer to your owners manual

**NEW** PENDANT LIGHTING



**MILLSTREET 1-LIGHT PENDANT**

The Millstreet 1-Light Pendant has a sleek and simple design with a bold matte black steel finish. The contrasting white interior, adds a touch of surprise that will certainly add style to your room.

The Millstreet Pendant directs light downward, perfect for concentrated lighting.

| MODEL NAME | PRODUCT NUMBER |
|------------|----------------|
| Millstreet | 271000         |

| MATERIAL | FINISH                                |
|----------|---------------------------------------|
| Steel    | Matte Black Exterior & White Interior |

| WIDTH | HEIGHT | WARRANTY                |
|-------|--------|-------------------------|
| 8"    | 12"    | 3 Year Limited Warranty |



**SHIMMER 1-LIGHT PENDANT**

The Shimmer 1-Light Pendant has a sleek and simple design with a satin nickel steel finish. The contrasting white interior, adds a touch of surprise that will certainly add style to your room.

The Shimmer Pendant directs light downward, perfect for concentrated lighting.

| MODEL NAME | PRODUCT NUMBER |
|------------|----------------|
| Shimmer    | 271001         |

| MATERIAL | FINISH                                 |
|----------|--|
| Steel    | Satin Nickel Exterior & White Interior |

| WIDTH | HEIGHT | WARRANTY                |
|-------|--------|-------------------------|
| 8"    | 12"    | 3 Year Limited Warranty |

**NEW** PENDANT LIGHTING



**PRISM 1-LIGHT PENDANT**

The Prism 1-Light Pendant has a sleek and modern design. The chrome pendant holder and glass shade, add style to your room.

The Prism Pendant directs light downward, perfect for concentrated lighting.

| MODEL NAME    |        | PRODUCT NUMBER                |
|---------------|--------|-------------------------------|
| Prism         |        | 271002                        |
| MATERIAL      |        | FINISH                        |
| Steel & Glass |        | Chrome Exterior & Clear Glass |
| WIDTH         | HEIGHT | WARRANTY                      |
| 7"            | 19"    | 3 Year Limited Warranty       |



**AMBER 1-LIGHT PENDANT**

The Amber 1-Light Pendant has a sleek and modern design. The chrome pendant holder and glass shade, add style to your room.

The Amber Pendant directs light downward, perfect for concentrated lighting.

| MODEL NAME    |        | PRODUCT NUMBER                |
|---------------|--------|-------------------------------|
| Amber         |        | 271003                        |
| MATERIAL      |        | FINISH                        |
| Steel & Glass |        | Chrome Exterior & Amber Glass |
| WIDTH         | HEIGHT | WARRANTY                      |
| 7"            | 19"    | 3 Year Limited Warranty       |



## WARRANTY INFORMATION

### 5 YEAR LIMITED WARRANTY

Renin warrants all wall decor, door components & hardware for its barn door, sliding, bypass, bifold, pivot and overlay doors against defects in workmanship and materials subject to ordinary wear and tear, for the limited life of these products. This includes door frame components, top tracks, top guides, bottom rollers, pivot hardware and hinges. Further, Renin warrants all safety backed mirror against defects in material and workmanship for a period of five (5) years from the date of purchase. This warranty shall not apply if damages are due to abuse, mishandling, improper installation or use; incidental or coincidental water and/or moisture exposure or foreign matter which includes drippings from ceiling materials or paint; or materials placed on the back or edges of product by others; or requirement / treatments applied or mirror failure which includes black edge, discoloration and slight hardware rusting when installed within five (5) miles of the ocean.

This warranty does not extend to any labor charges incurred in the initial installation, the removal, re-installation or replacement of any defective products or parts thereof. In the event of a defect, malfunction or other failure of the product to which this warranty applies, Renin will remedy the failure or defect, without charge to the consumer within thirty (30) days from the actual receipt of the product, or refund of the purchase price at Renin's discretion.

To obtain performance under this warranty, the consumer should contact our Customer Service Department at 1-800-493-5263, between 8:30 am and 4:30 pm EST, Monday to Friday. This limited warranty is given to the original purchaser only, and is in lieu of all others including the implied warranty merchantability and fitness for a particular purpose and excludes all incidental or consequential damages. Some states do not allow limitations on how long an implied warranty lasts, return of merchandise, or the exclusion or limitation of incidental or consequential damages. Therefore these limitations may not apply to you. Should you have any questions, contact our Customer Service Department at 1-800-493-5263.

## FIND US ONLINE

### SALES & CUSTOMER SERVICE

For installation instructions or product inquiries and availability go to:

 [Renin.com](http://Renin.com) [acmesystemsandhardware.com](http://acmesystemsandhardware.com)

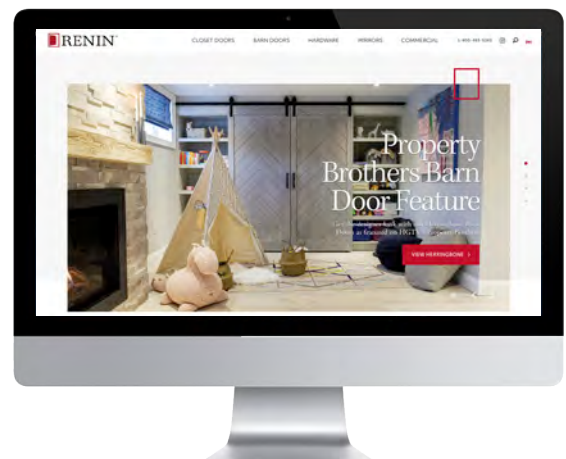
For product orders and quotes email us at:

 **Orders:** [orders@renincorp.com](mailto:orders@renincorp.com) **Quotes:** [directsales@renincorp.com](mailto:directsales@renincorp.com)

Or call or Fax us at:

 Sales 1 (888) 752-0427 Customer Service: 1 (800) 493-5263

**FAX** 1-800-481-4659





 **RENIN****BRAMPTON, CANADA**

110 Walker Drive  
Brampton, ON  
L6T 4H6

**TUPELO, USA**

1141 Ryder Street  
Tupelo, MS  
38804

 [Renin.com](http://Renin.com) 1-800-493-5263