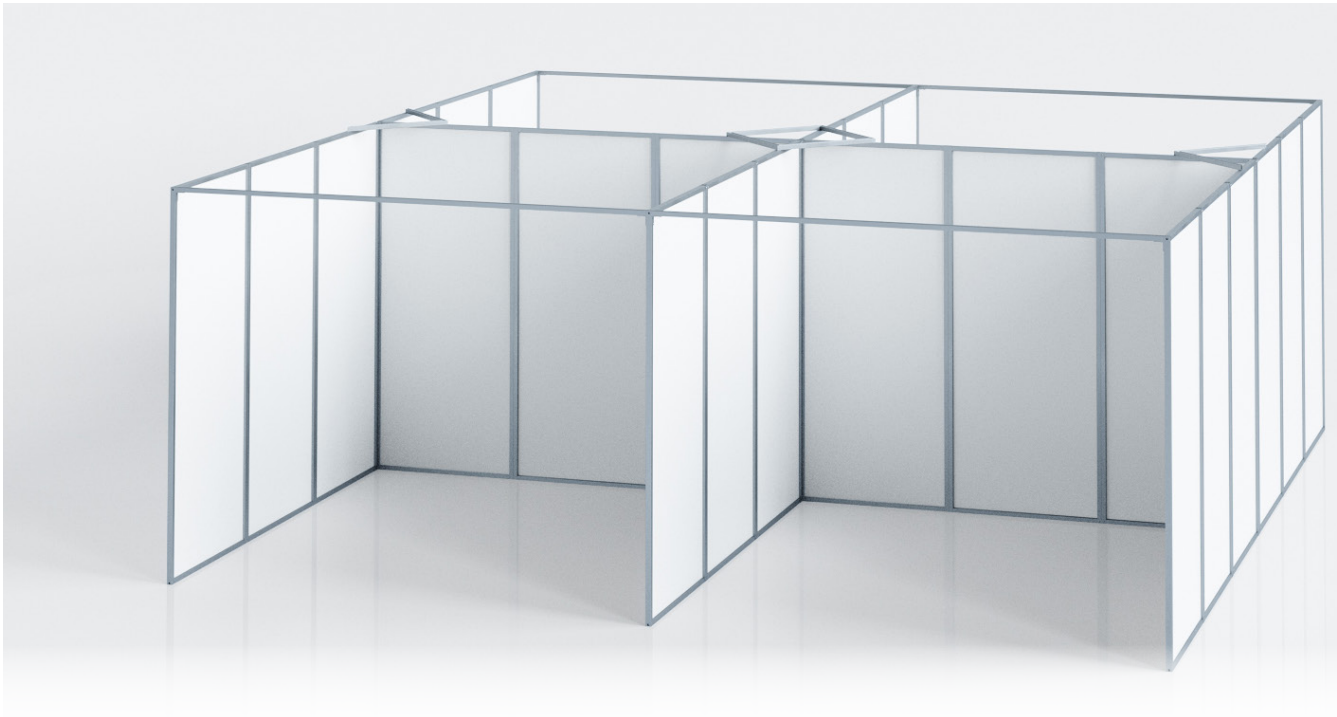


Modular Wall System

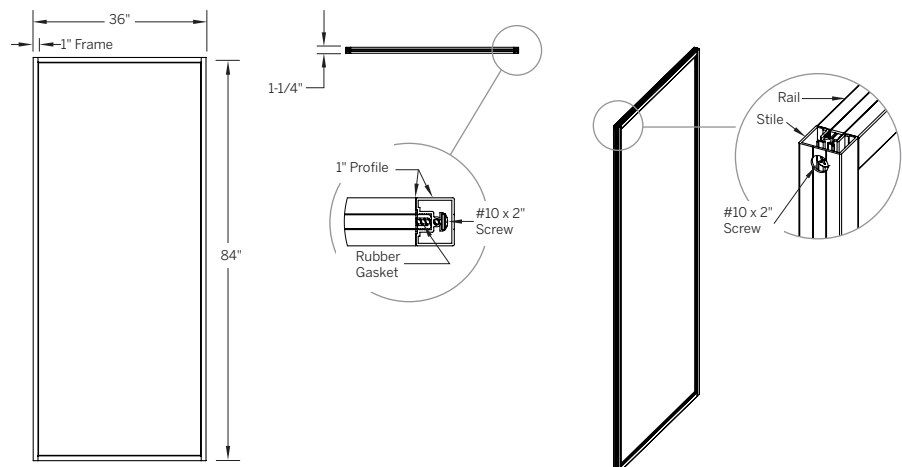


Acme's post and panel Modular Wall System is designed to accommodate ad-hoc construction of temporary rooms where privacy, durability and speed are a necessity. This easy to clean combination of high strength aluminum and lightweight impact grade polypropylene inserts create a cost-effective solution when temporary room enclosures are required.

Features & Benefits

- Non-porous easy to clean frames and panels.
- 1" Aluminum frame with impact grade polypropylene insert provides a strong, lightweight and durable alternative to other materials.
- Fast and easy assembly with multiple configurations including: U-Shaped, L-Shaped or Single Wall. Assembles in under 10 minutes.
- Front cross-brace can be used to add a privacy curtain and provides additional support.
- Includes 3 different size shims in order to accommodate for uneven floors.
- 100% recyclable.

Panel Specifications



For more information and pricing, contact your Sales Associate or email marketing@renin.com



Technical Information

- 36" (w) x 84" (h) (152.4 cm x 203.2 cm) Assembled Panel
- 16 lbs. (11.44 kg) Assembled Panel
- 6063-T5 Aluminum Frame, same 1" profile for stiles and rails.
- Anodized frame finish
- 4 mm Impact grade polypropylene Insert
- Assembled with #10 x 2" Self-tapping screws through the stiles into the rails at each corner or wall.

System Components

- Panels Come Fully Assembled
- Corner L Brackets
- Panel Mending Plate
- Zinc Plated Self Drilling Metal Screws
- Leveling Shims ($\frac{1}{16}$ ", $\frac{1}{8}$ " and $\frac{1}{4}$ ")

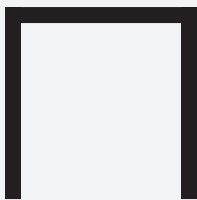
Typical Applications

- Patient Rooms
- Isolation Rooms
- Office Partitions
- Waiting Areas
- Residential or Commercial Storage

Installation Tools required: Cordless Drill, #2 Robertson Bit

Configuration Ideas

U-Shape



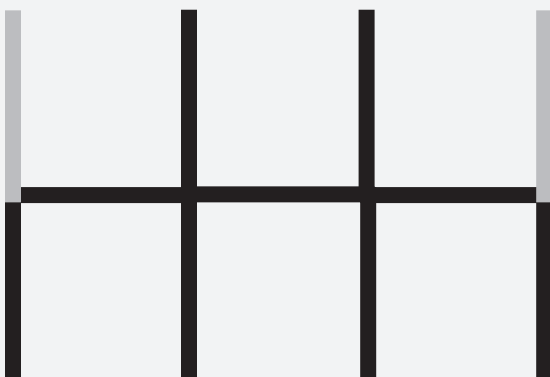
U-Shape + L



U-Shape + L + L



(3) U-Shape + (2) Single Panels



For more information and pricing, contact your Sales Associate or email marketing@renin.com

