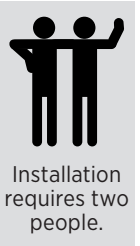


INSTALLATION INSTRUCTIONS
for drywall & wood stud applications

Note: all measurements in this instructions manual are based on an 84" door.

For custom height doors, use the formula below.



InvisiGlide Across The Wall Hardware



| DOOR WIDTH OPTIONS | | |
|--------------------|---------------|---------------|
| DOOR WIDTH | OPENING WIDTH | WHEEL SPACING |
| 36" [914MM] | 32" [813MM] | 15" [381MM] |
| 42" [1,067MM] | 36" [914MM] | 17" [432MM] |

PLEASE READ CAREFULLY

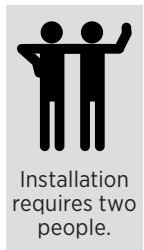
- Read all instructions carefully.
- Protect your eyes by wearing safety goggles.
- Keep the installation area free of clutter.
- Follow each step completely before starting the next step.

IMPORTANT!

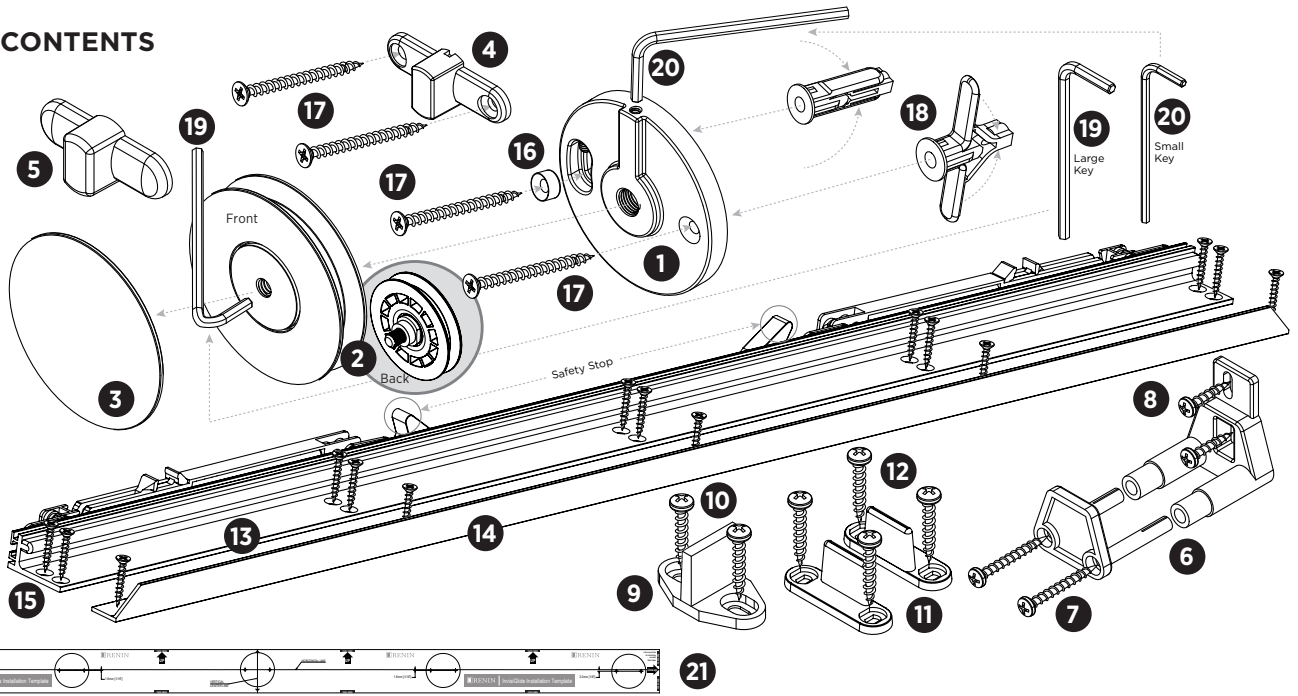
VERIFY THAT ALL PARTS ARE INCLUDED IN THE PACKAGING. IF ANY PARTS ARE MISSING, DO NOT RETURN THIS PRODUCT TO THE STORE.

FOR PARTS ASSISTANCE, PLEASE CALL 1-800-493-5263 BETWEEN 8:30 AM AND 4:30 PM EST, MONDAY TO FRIDAY. SUPPORT IS PROVIDED IN ENGLISH, FRENCH AND SPANISH.

PACKAGE CONTENTS



Note: not recommended for steel studs.

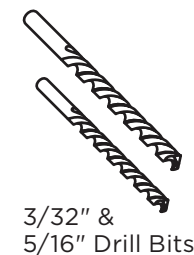
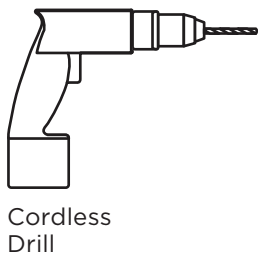
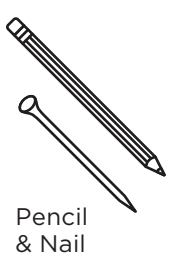
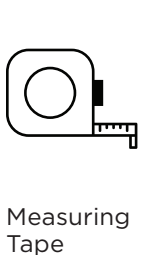


| | |
|---|------------------------------|
| 1 | 5x Wheel Mount Plate |
| 2 | 5x Wheel Assembly |
| 3 | 5x Wheel Assembly Cap |
| 4 | 2x Soft Close Trigger |
| 5 | 2x Soft Close Trigger Cap |
| 6 | 1x Split Floor Wall Guide |
| 7 | 2x Wall Guide Large Screws |

| | |
|----|-------------------------------------|
| 8 | 2x Wall Guide Small Screws |
| 9 | 1x Floor Guide |
| 10 | 2x Floor Guide Screws |
| 11 | 2x Split Floor Guide |
| 12 | 4x Split Floor Guide Screws |
| 13 | 1x Track Assembly with Soft Close |
| 14 | 1x Anti-Jump Bar |

| | |
|----|--|
| 15 | 15x Door Track Screws |
| 16 | 5x Adjustment Washer |
| 17 | 14x 2" Flat Head Screws |
| 18 | 14x Butterfly Wall Plug |
| 19 | 1x Large Allen Key |
| 20 | 1x Small Allen Key |
| 21 | 1x InvisiGlide Installation Template |

TOOLS REQUIRED (NOT PROVIDED)



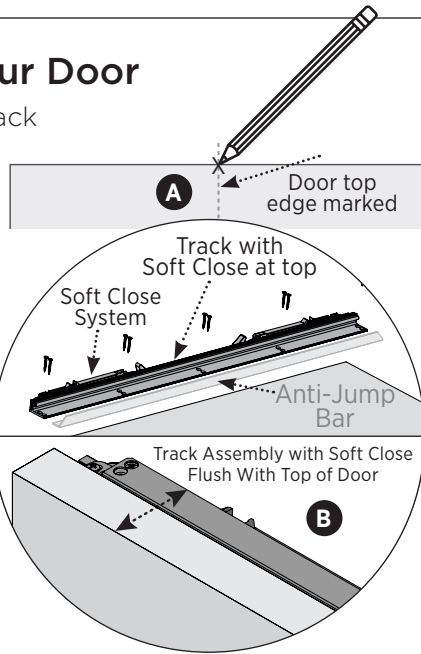
STEP 1 Set Up Your Door

Attach The Track

A) Lay your door down on a protected surface with the back of the door facing upward, find the door's top width center and mark with a pencil on the top edge.

B) Position the top edge of the track assembly to the top edge of the door, and ensure it is centered to the width marked, then affix with 1" wood screws.

Note: To prevent splitting, it is best to pre-drill the holes 19mm or 3/4" deep with a 3/32" drill bit.



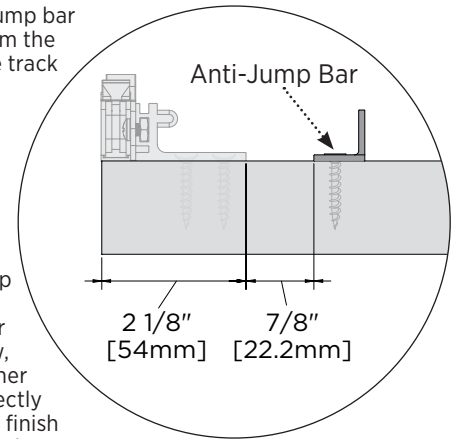
STEP 2 Set Up Your Door

Attach The Anti-Jump Bar

A) Position the Anti-Jump bar 22.2mm or 7/8" from the bottom edge of the track as shown, and affix with 1" screws.

Note 1: to prevent splitting, it is best to pre-drill the holes 19mm or 3/4" deep with a 3/32" drill bit.

Note 2: with Anti-Jump bar in place, drill the first pilot hole at either end and add the screw, then make sure the other end is positioned correctly and do the same, then finish the rest of the holes and crews.



STEP 3 Pick Your Door Opening Location

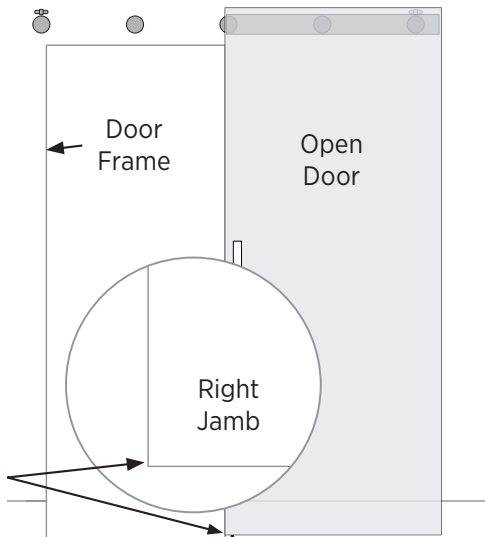
Determine what direction your door will be opening

A) Determine which side of the opening the door will open towards.

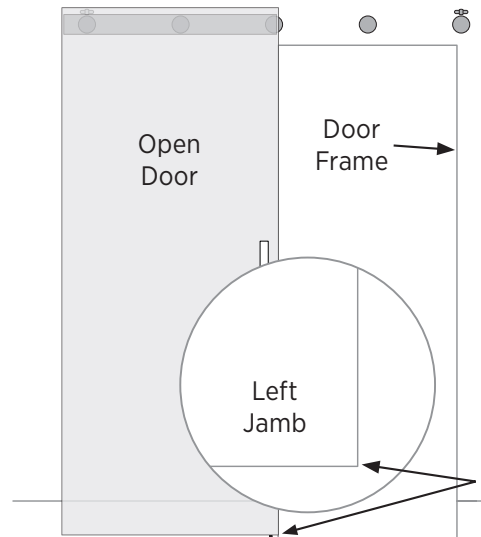
B) These instructions will focus on right opening doors.

C) For left opening door applications work from the left jamb.

Note 1: we will be referring to this side of the door jamb in these instructions.



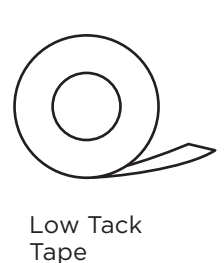
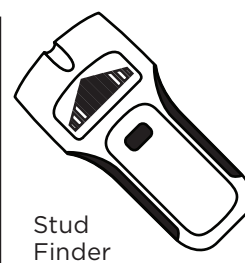
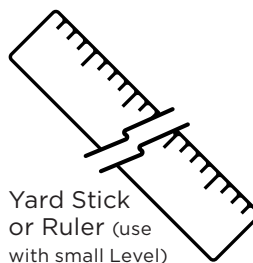
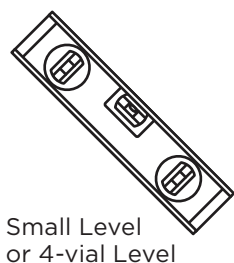
Door opens to the right



Door opens to the left

Note 2: if you have a left opening door, all your measurements will be focusing on this door jamb.

MORE TOOLS REQUIRED (NOT PROVIDED)



STEP 4 Check That Your Floor Is Level

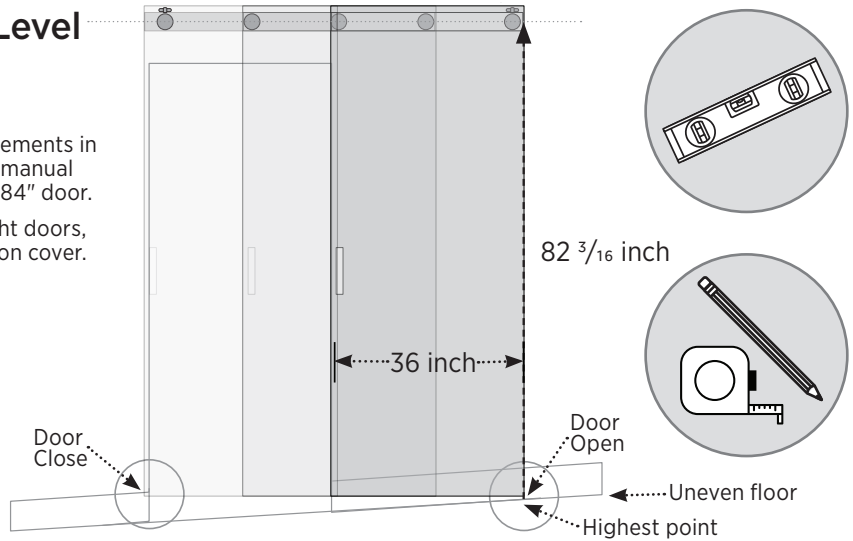
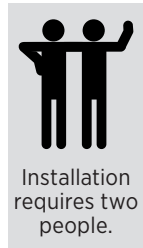
IMPORTANT!

Use a Level to check if your floor is uneven before making measurements.

- If your floor is uneven, you need to measure at the open and closed positions of the Door to ensure there is enough space - select the highest point on the floor to ensure you have at least 82 3/16 in.

Note: all measurements in this instructions manual are based on an 84" door.

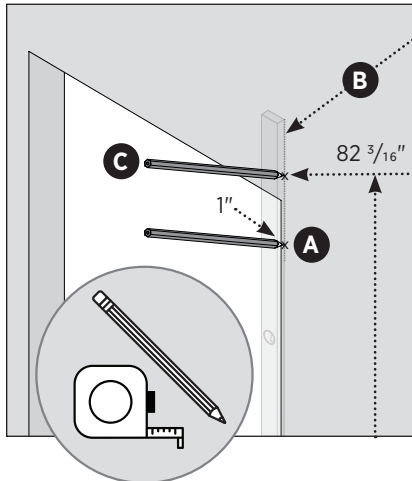
For custom height doors, use the formula on cover.



STEP 5 Use A Level To Mark Positions and draw your faint lines

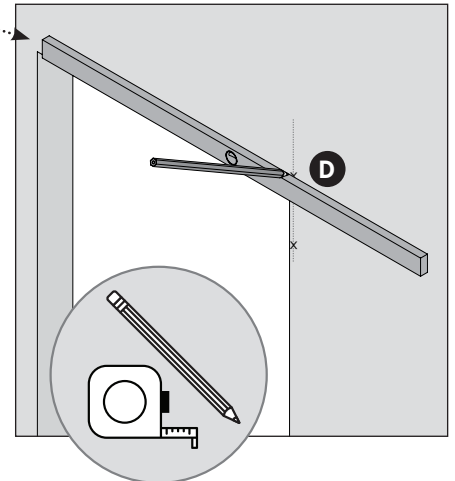
- Measure over (to the right) 1" from the top of the door open side (jamb side) and mark with an x.
- Using a level, mark a vertical line up from your x mark (about 6" to 8").
- Measure up 82 3/16" from the highest point of the floor.

Note 1: this will be the center wheel position.



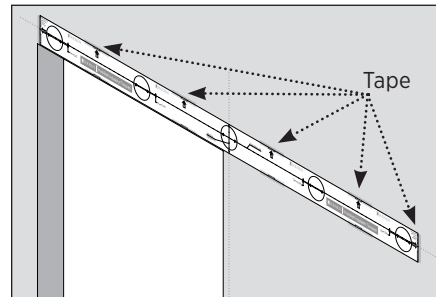
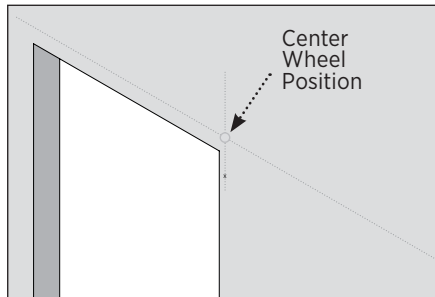
- Using a level, draw a light erasable horizontal pencil line, approximately 36" or 42" depending on the door width in both directions from the marked center point.

Note: you can draw the line past the 36" or 42" mark as you will need to see the line to position the Template.



STEP 6 Apply Template

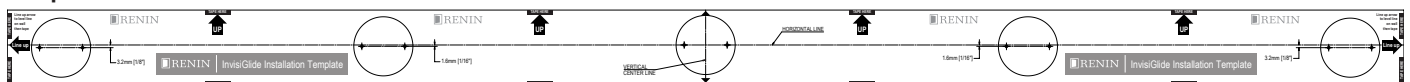
- Place the supplied template in an upright position on wall and make sure you line up the horizontal and vertical lines on wall to the horizontal and vertical lines on the template.



- Once all lines are lined up with the template, tape the template to the wall with low tack tape.

Note: make sure template is level on both sides and then check that the tape is holding the template firmly to the wall.

Template



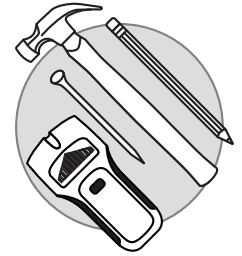
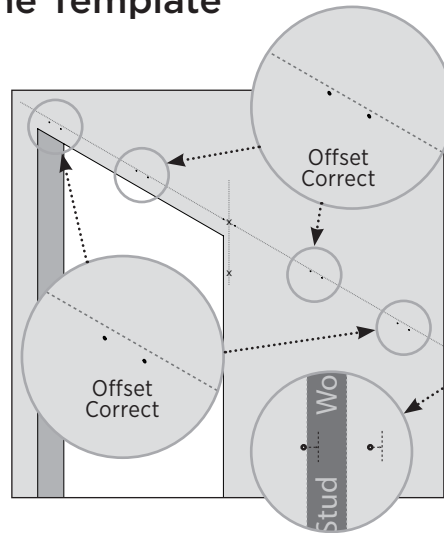
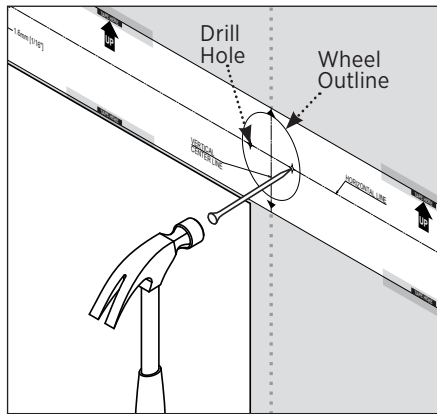


STEP 7 Mark Each Wheel Position On The Template

A) Using a hammer and a nail, tap a small hole into each of the 2 drill hole marks of each of the 5 wheel outlines.

B) Once completed, remove the Template carefully and erase the pencil lines.

Note 1: make sure holes are centered in the hole circles for better accuracy.



Note 2: once the template has been removed, the outer 4 wheel holes should be positioned below the guide line.

Note 3: check with a stud finder before making holes in proximity to the stud. If a hole falls just outside of the stud, move the wheel 1/4" into the stud.

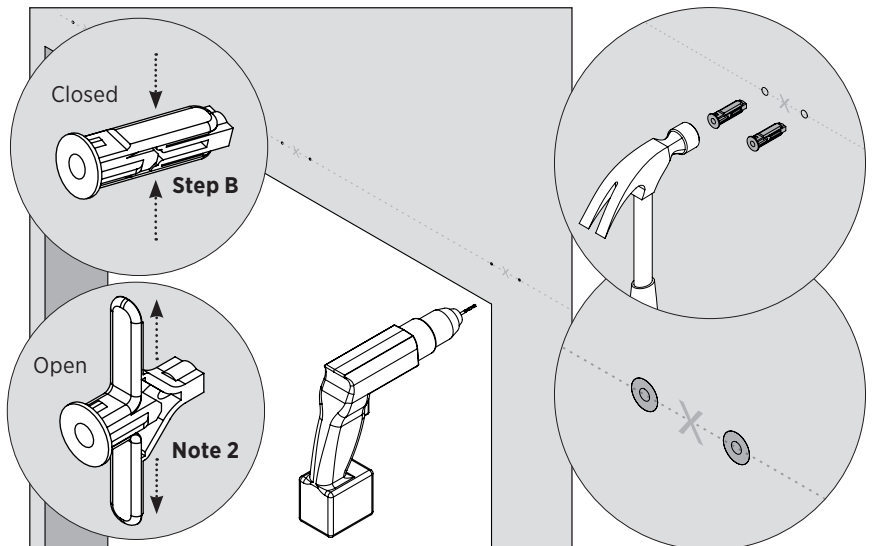
STEP 8 Drill And Plug

A) Drill at each marked screw hole (with a 1/8" drill bit) and slot center location along the marked horizontal line.

B) For holes NOT in line with a stud, drill a 5/16" hole for each hole in the drywall and insert a butterfly plug as shown.

Note 1: the center wheel holes and the 2 wheels over the doorway should hit the header and wood studs. The 2 wheels on the door open side may or may not hit any wood studs.

Note 2: ensure when you squeeze the butterfly plug flat, the wings are oriented top and bottom for maximum strength.

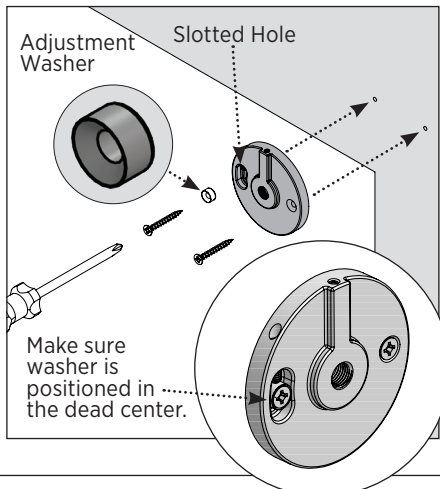


STEP 9 Screw Wheel Mounts To Wall

A) Affix the wheel mount plates to the wall with 2" flat head screws and the adjustment washer in the slotted hole as shown.

B) Hand tighten each screw so they are snug. **Do not fully tighten the screws at this time.**

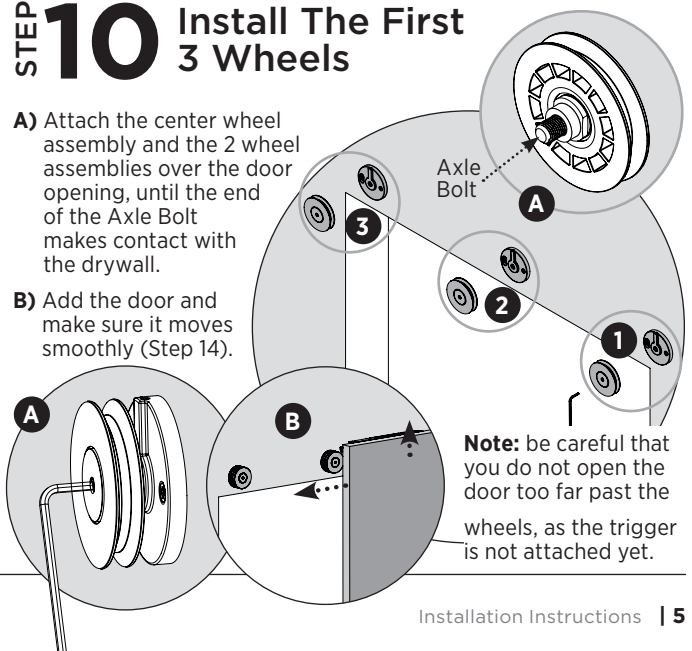
Note: not recommended for steel studs.



STEP 10 Install The First 3 Wheels

A) Attach the center wheel assembly and the 2 wheel assemblies over the door opening, until the end of the Axle Bolt makes contact with the drywall.

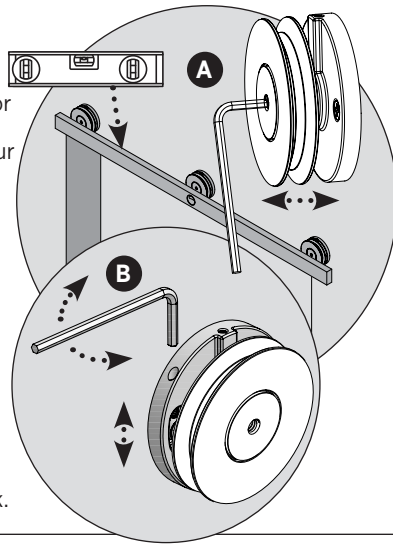
B) Add the door and make sure it moves smoothly (Step 14).



Note: be careful that you do not open the door too far past the wheels, as the trigger is not attached yet.

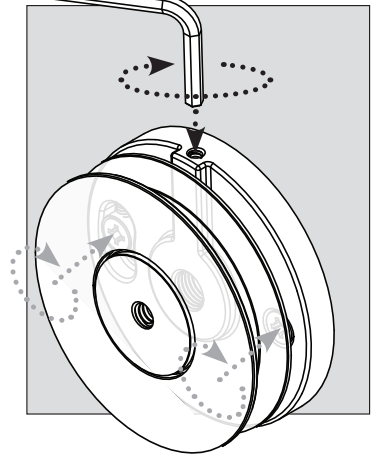
STEP 11 Adjust All Wheels

- A)** If the track does not align with wheels, remove the door and using a level or long straight edge, check that your wall is flat and not bowed. If required, adjust the wheel Axle Bolt (step 10A) to bring the off wheel to plumb, then put the door back on again.
- B)** If the door track bumps or does not touch the outer wheel, adjust the wheel mount plates of the wheels over opening up or down with the 5/64" Small Allen Key provided to ensure the center wheel engages smoothly with the door track.



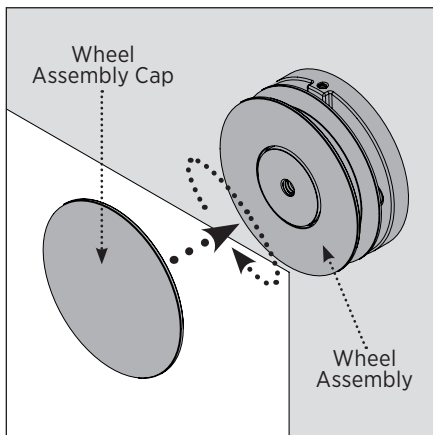
STEP 12 Lock wheels

- A)** Take the door off the wheels once adjustments are done.
 - B)** Remove wheels and proceed to firmly tighten wall screws on the wheel mount, being careful not to over tighten plug locations.
 - C)** Put the wheels back on. You may wish to repeat step 11A.
 - D)** Lock the wheel assembly with the small Allen Key
- Note:** you may need to adjust the door a few times until it glides smoothly.



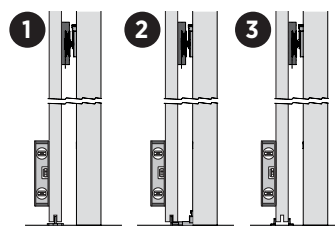
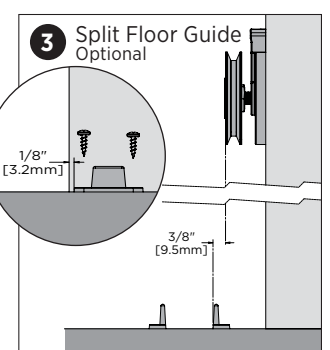
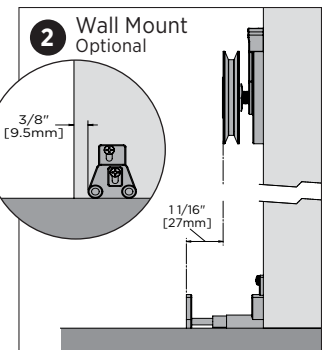
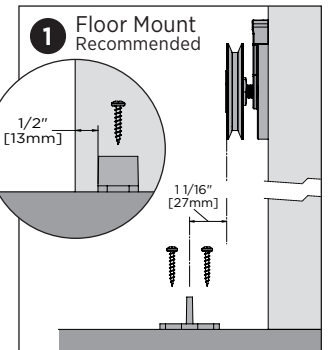
STEP 13 Capping The Center Wheel

- A)** Thread the center wheel assembly cap onto the wheel assembly and tighten.
- B)** The remaining 4 front caps are all accessible when the door has been installed, after all final wheel adjustments are completed.



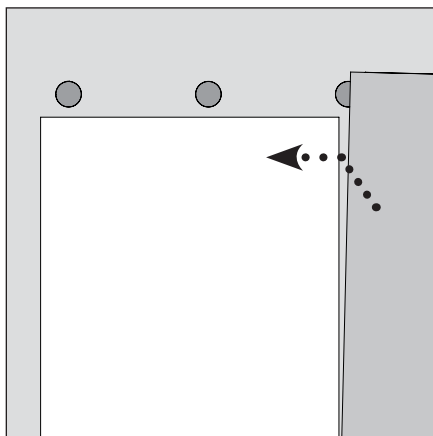
STEP 15 Door Guides

- A)** If your door has a dado groove in the bottom, select either; **(1)** the floor mounted or; **(2)** wall-mounted bottom dado guide.
- B)** If your door does not have a dado groove, then **(3)** the split Floor Guide must be used.
- C)** Slide the door over 2 inches past the door jamb in order to prepare for the Floor Guide.
- D)** Place your Level on the side of the door, make sure it is plumb and place your Guide in the Dado or between the split guides, hold them in place and move the door out of the way and mark your screw hole locations on the floor or wall.
- E)** If required, drill 1/4 inch pilot holes for the floor or wall anchors or secure directly into the floor or wall.



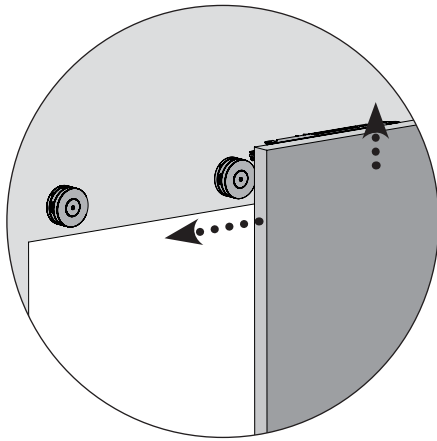
STEP 14 Place Door Onto Wheels

- A)** Position the door on a slight angle to engage the track onto the center wheel groove as shown.



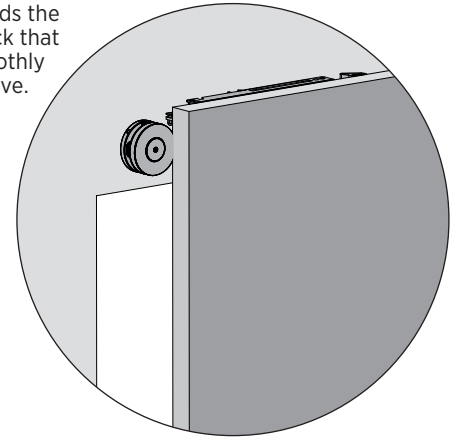
STEP 16 Set Door Onto Next Wheel (Over Opening)

- A) Lift the trailing side of the door so it is plumb, and roll it towards the next wheel and engage the track into the wheel groove.



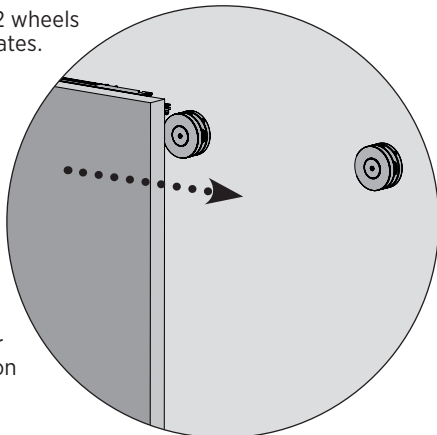
STEP 17 Set Door Onto Third Wheel (Over Opening)

- A) Roll the door towards the last wheel and check that the track slots smoothly into the wheel groove.
 B) If it does not, make any necessary in/out or height adjustments.



STEP 18 Finish Wheels On Opposite Side

- A) Affix the remaining 2 wheels to the wall mount plates.
 B) Roll the door toward the open position and adjust the next wheel it contacts to ensure a smooth engagement.
 C) Lock the axle set screw into position.
 D) Repeat for the last wheel, then install the soft close trigger onto the last wheel on the door open side.

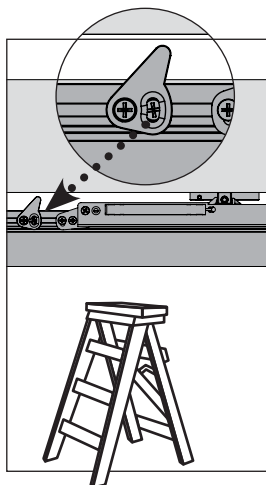


STEP 20 Adjust Safety Stops

Note: you will need to use a step stool or ladder to see the top of the door and access the soft close and safety stop screws.

- A) Slightly loosen the screws on both safety stops, just enough to allow them to move, then rotate them so that they clear the wall by approximately 2mm or 1/16", then tighten both screws on each stop.

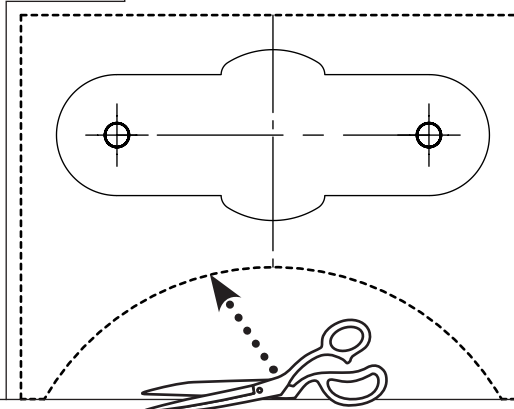
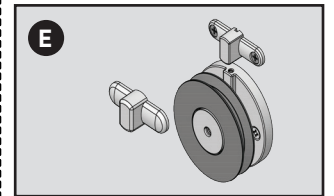
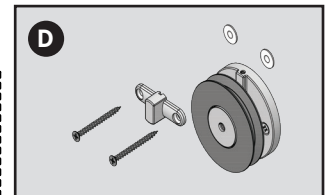
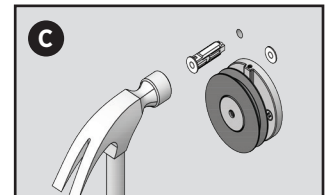
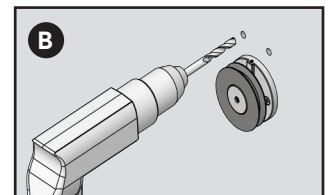
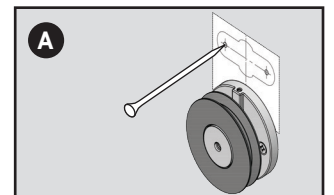
Note: roll the door between the open and closed position to make sure the safety stop doesn't rub the wall.



STEP 19 Soft Close Trigger Instructions

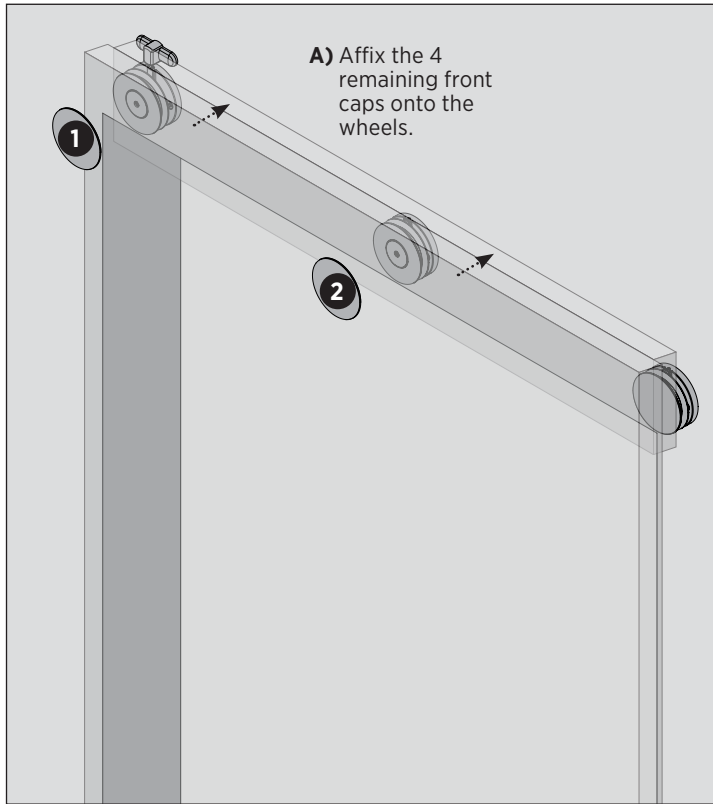
- A) With the door fully open, place the template over the first wheel mount plate (as shown). With a sharp nail, poke a small hole in the location indicated on the template and remove the template.
 B1) Drill a 1/8" hole at the center of each hole location.
 B2) For each hole not in line with a stud, redrill using a 5/16" drill bit.
 C) Install butterfly plugs as per Step 5.
 D) Affix the trigger base to the wall with the 2" screws provided.
 E) Snap on a cover cap.
 F) Repeat for the opposite end.
Note: the cut out the template is for step 19A.

CUT OUT TEMPLATE BELOW



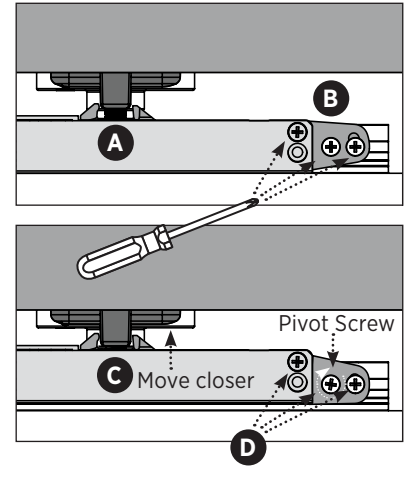


STEP 21 Cap Off Remaining Wheels



STEP 22 Adjusting the Soft Close

- A)** Place the soft close over the trigger (in the activated position as shown). If the soft close is too far from the trigger, you will need to move the soft close closer to the trigger.
- B)** Slightly loosen all 6 screws on the soft close mechanism to adjust the Soft Close.
- C)** Move the soft close so the trigger just clears the soft close mechanism
- D)** Re-tighten all 6 screws and test the door.
- E)** Readjust if needed.



You did it!

Enjoy your new Renin InvisiGlide ATW Hardware

3 YEAR LIMITED WARRANTY

Renin warrants their products against manufacturing defects for up to three years from the purchase date. The warranty applies only to the original purchaser of the product from Renin.

If a product is determined to be defective due to a manufacturing defect, Renin will supply a replacement product. The scope of the warranty is limited to replacing the product and does not include labor required to install, repair or deliver, or any costs related to removing the existing product.

This warranty is void in the event that the product is damaged in transit, or if damage or failure is caused by abuse, misuse, storage of products in an improper environment, abnormal usage, faulty installation, failure to follow installation instructions, damage in an accident, improper maintenance, or any repair.

Renin reserves the right to inspect any claim prior to issuing credit.

Once again, congratulations on your new Renin Product!

To learn more about our complete line of products or if you have any questions, call 1-800-493-5263 between 8:30am and 4:30pm, Monday to Friday. We can also be reached online: info@renincorp.com.



1141 RYDER STREET
TUPELO, MS 38804

110 WALKER DRIVE
BRAMPTON, ON L6T 4H6

T. (800) 493-5263
F. (905) 791-7930

W. RENIN.COM
E. INFO@RENIN.COM

Follow Us

