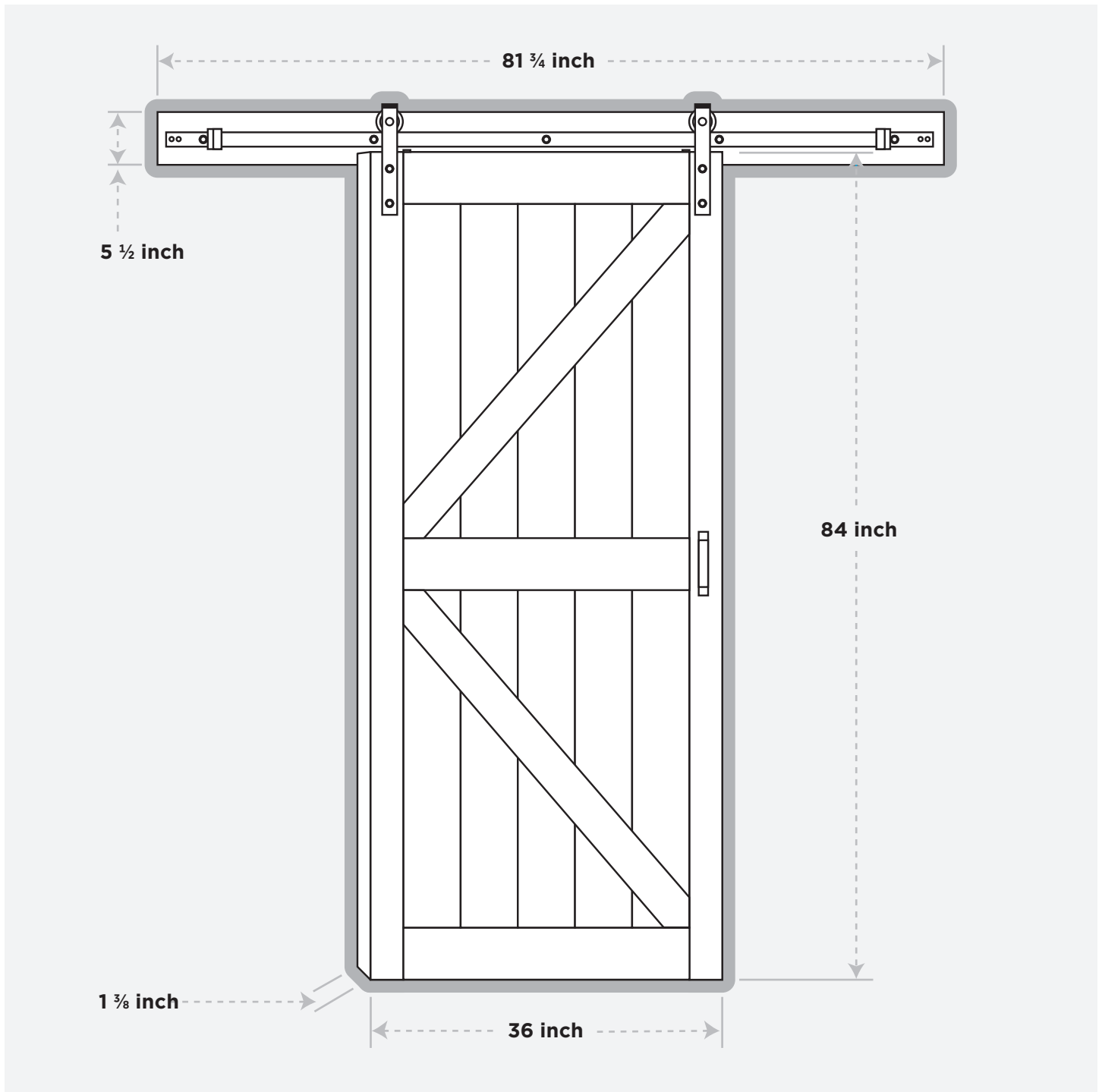


INSTALLATION INSTRUCTIONS

Barn Door with Integrated Soft Close





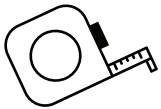
PLEASE READ CAREFULLY

- Read all instructions carefully
- Protect your eyes by wearing safety goggles
- Keep the installation area free of clutter
- We recommend two people for certain parts of the installation
- Follow each step completely before starting the next step

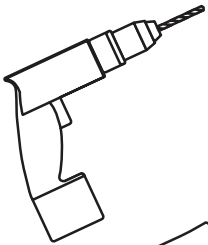
TOOLS REQUIRED (NOT PROVIDED)



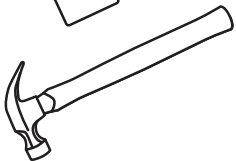
Pencil



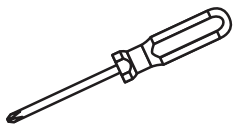
Tape Measure



Power Drill



Hammer

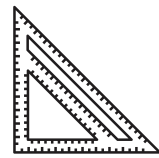


#2 Phillips Screwdriver



Low Tack Tape

Speed Square



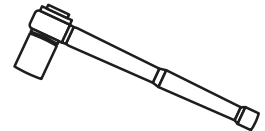
Drill Bits

- 3/32 inch Wood Drill Bit
 - 5/32 inch Wood Drill Bit
 - 7/32 inch Wood Drill Bit
 - 3/8 inch Masonry Drill Bit*
 - 1/4 inch Masonry Drill Bit**
-



Deep Socket Wrench

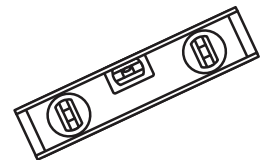
- 5/8 inch
 - 1/2 inch
-



Stud Finder



Level



Adjustable Wrench



Scissors

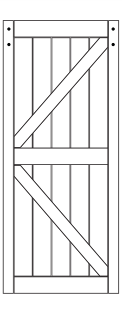
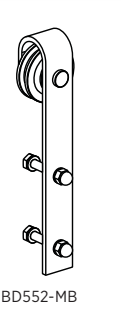
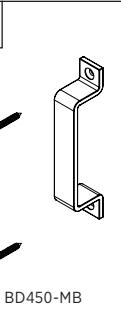
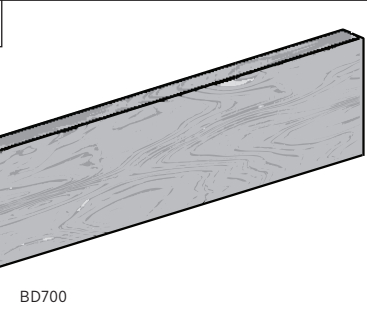
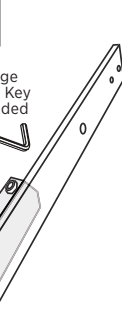
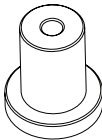
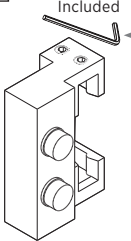
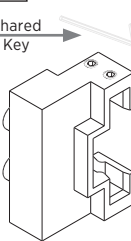



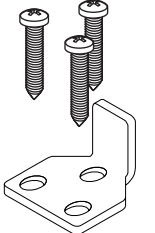
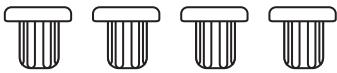
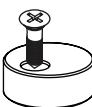

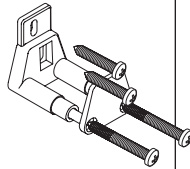



* If installing Barn Door on a concrete wall. ** If installing Floor Guide into a concrete floor.

IMPORTANT!

VERIFY THAT ALL PARTS ARE INCLUDED IN THE PACKAGING. IF ANY PARTS ARE MISSING, DO NOT RETURN THIS PRODUCT TO THE STORE.
 FOR ANY PARTS ASSISTANCE, PLEASE CALL 1-800-493-5263 BETWEEN 8:30 AM - 4:30 PM EST, MONDAY TO FRIDAY
 LANGUAGE: English, French and Spanish

PACKAGE CONTENTS

<p>1x</p> 	<p>2x</p>  <p>BD552-MB</p>	<p>1x</p>  <p>BD450-MB</p>	<p>1x</p>  <p>BD700</p>	<p>1x</p>  <p>Large Allen Key Included</p>	
<p>Barn Door</p>	<p>Bent Strap (with Bolt, Washer and Acorn Nut)</p>	<p>Handle</p>	<p>Backer Board</p>	<p>Track (with integrated Soft Close Mechanism)</p>	
<p>5x</p>  <p>BD350-MB</p>	<p>1x</p>  <p>Small Allen Key Included</p> <p>BD180-MBL</p>	<p>1x</p>  <p>Shared Key</p> <p>BD180-MBR</p>	<p>5x</p>  <p>BD136</p>	<p>5x</p>  <p>BD134</p>	<p>5x</p> 
<p>Track Spacer</p>	<p>Left End Stop</p>	<p>Right End Stop</p>	<p>Track Mount Screws (Drywall)</p>	<p>Track Mount Bolts (with carriage anchor - Concrete)</p>	<p>Track Mount Washer</p>
<p>2x</p> 	<p>4x</p>  <p>BD126-MB</p>	<p>2x</p>  <p>BD790</p>	<p>1x</p>  <p>BD750</p>	<p>OPTION</p> <p>1x</p>  <p>99161</p>	
<p>Soft Close Trigger</p>	<p>Barn Door Track Joiner Plugs</p>	<p>Anti-Jump Block</p>	<p>Floor Door Guide</p>	<p>Wall Door Guide</p>	
<p>10x</p>  <p>Backer Board Screws (For drywall and wood stud application)</p>					



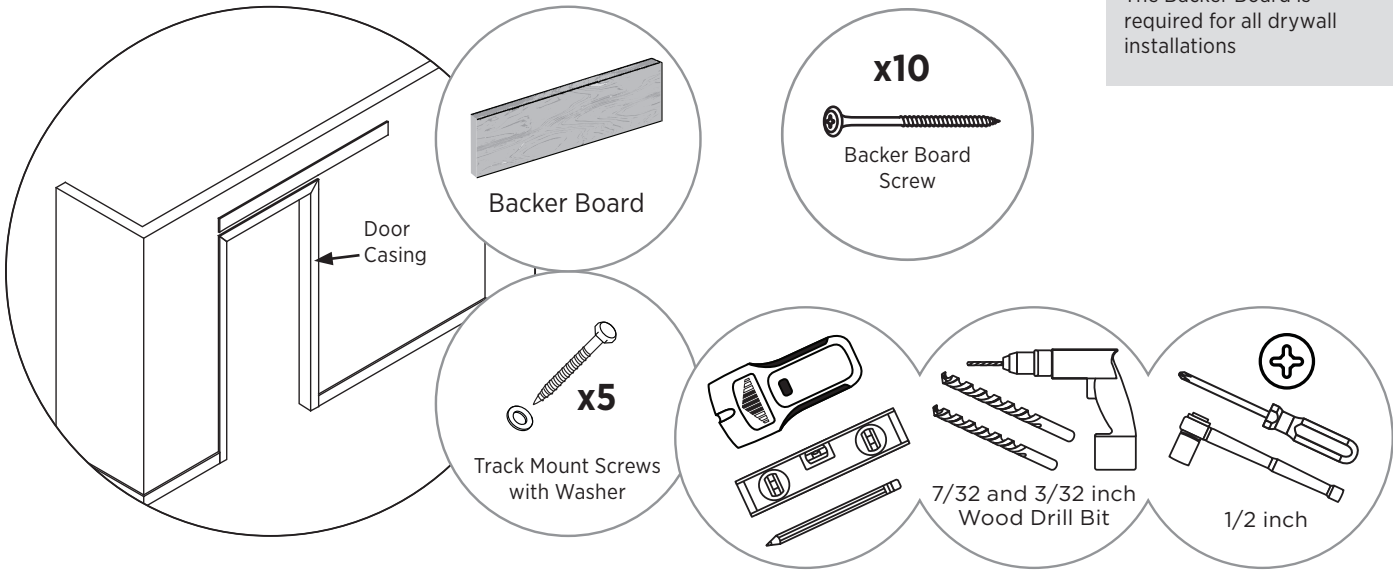
Before You **Begin**

Pick Your Wall

Determine what kind of wall you will be installing your Barn Door hardware kit onto

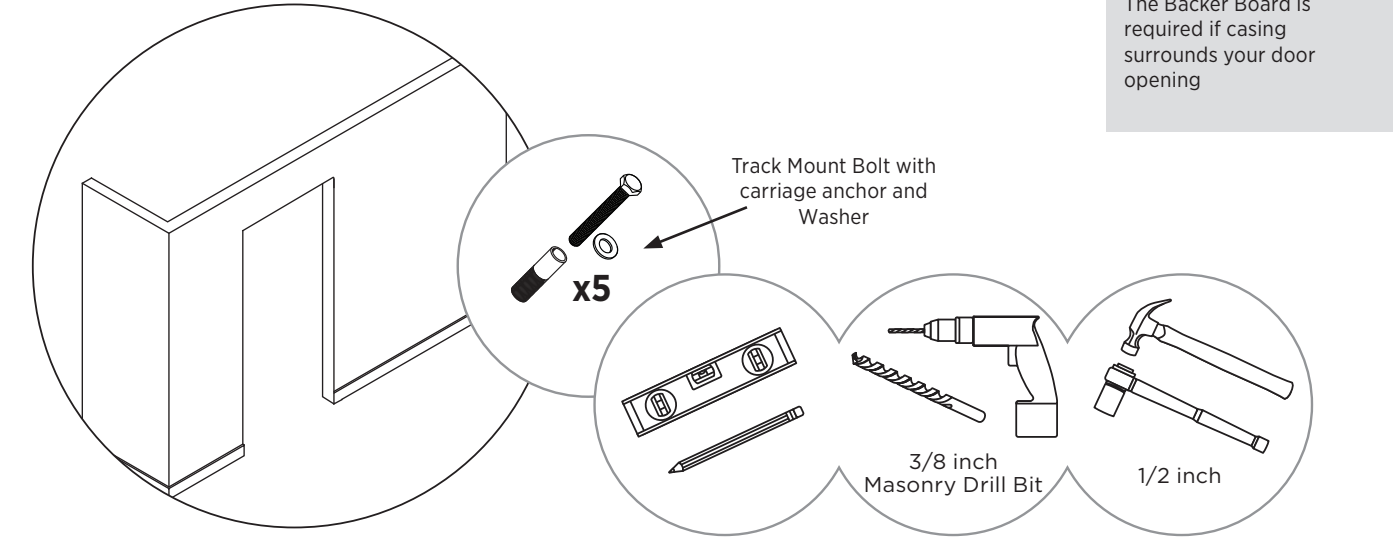
Wall mounting hardware for **DRYWALL**

IMPORTANT!
The Backer Board is required for all drywall installations



Wall mounting hardware for **CEMENT/CONCRETE**

IMPORTANT!
The Backer Board is required if casing surrounds your door opening

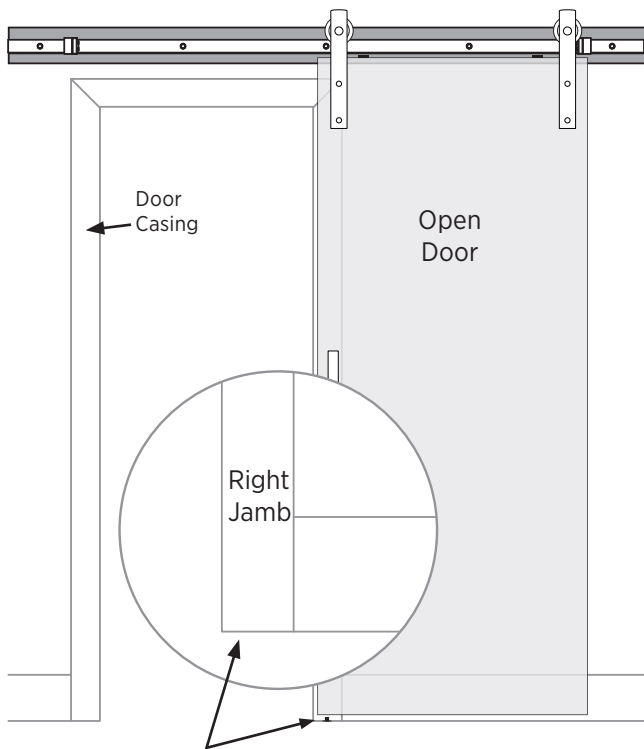


Pick Your Door Opening Location

Determine what direction your door will be opening

Door opens to the right

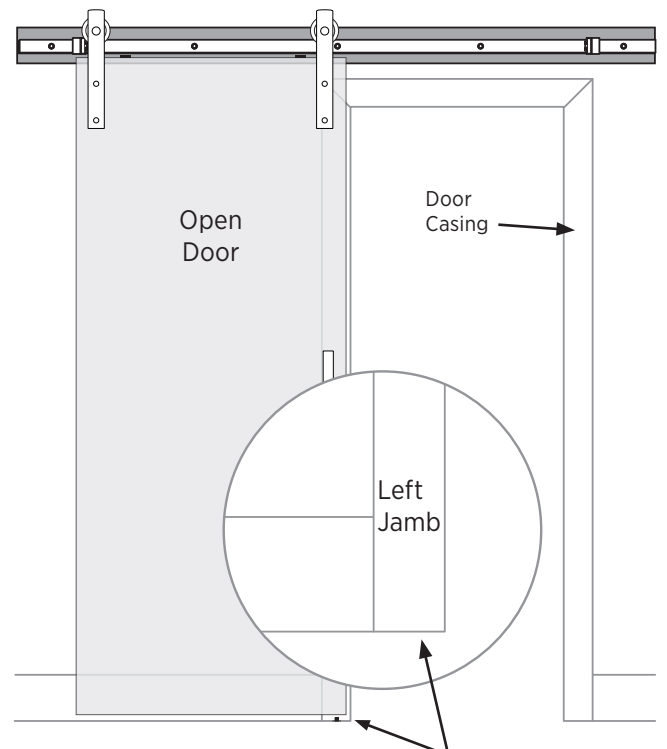
These instructions will focus on right opening doors



We will be referring to this side of the door jamb in these instructions

Door opens to the left

For this application work from the left jamb



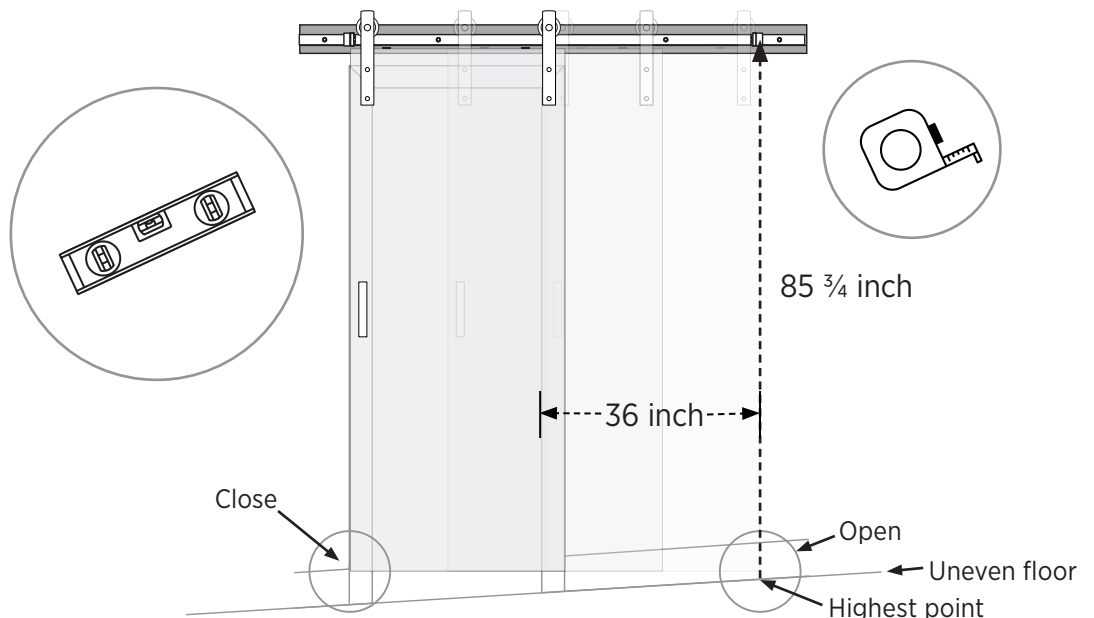
If you have a left opening door, all your measurements will be focusing on this door jamb

Check for level floor

IMPORTANT!

Use a Level to check if your floor is uneven before making measurements.

- If your floor is uneven, you need to measure at the open and closed positions of the Barn Door to ensure there is enough space - select the highest point on the floor to ensure you have at least 85 ¾ in.





DRYWALL

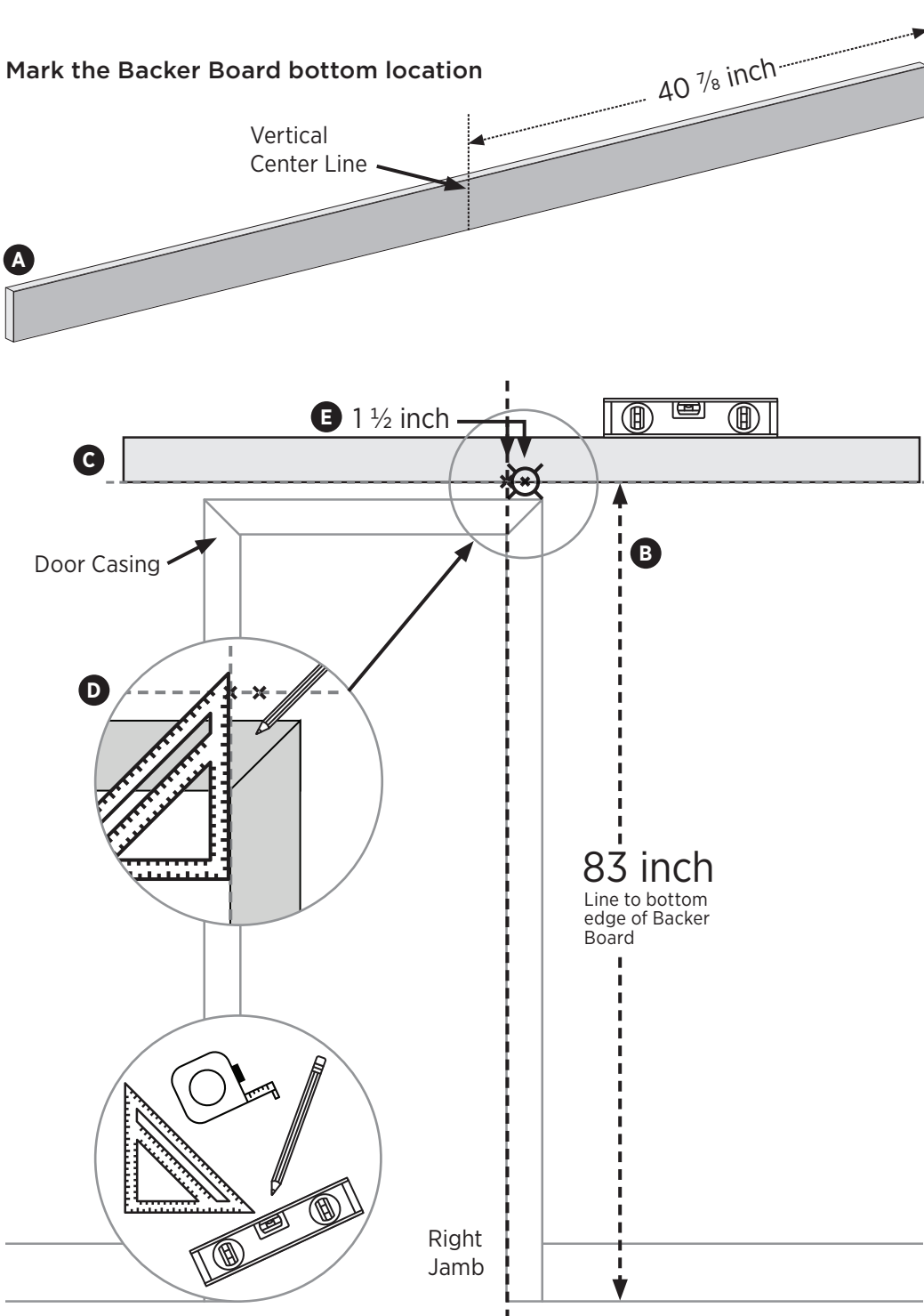
STEP 1

Installing the Backer Board

We recommend two people for this part of the installation

Skip to **Step 4**
for Concrete wall

Mark the Backer Board bottom location



IMPORTANT!

Is your floor level?

Details on Page 5.

- A) Measure and mark in 40 $\frac{7}{8}$ inch on the front of the Backer Board, this will give you the center of the Backer Board. Using your Speed Square or Level and a pencil draw a vertical center line.
- B) Mark 83 inch from the floor to above door casing †.
- C) Draw a level horizontal line on the 83 inch mark (You may want to use the Backer Board as a guide).
- D) Place a Speed Square or Level vertical on the inside casing wall and up past the 83 inch line, Mark an "X" where speed Square or Level crosses the line.
- E) Measure 1 $\frac{1}{2}$ inch to the right of the marked "X" and mark your center point (this will be the center mark for the bottom of the Backer Board).

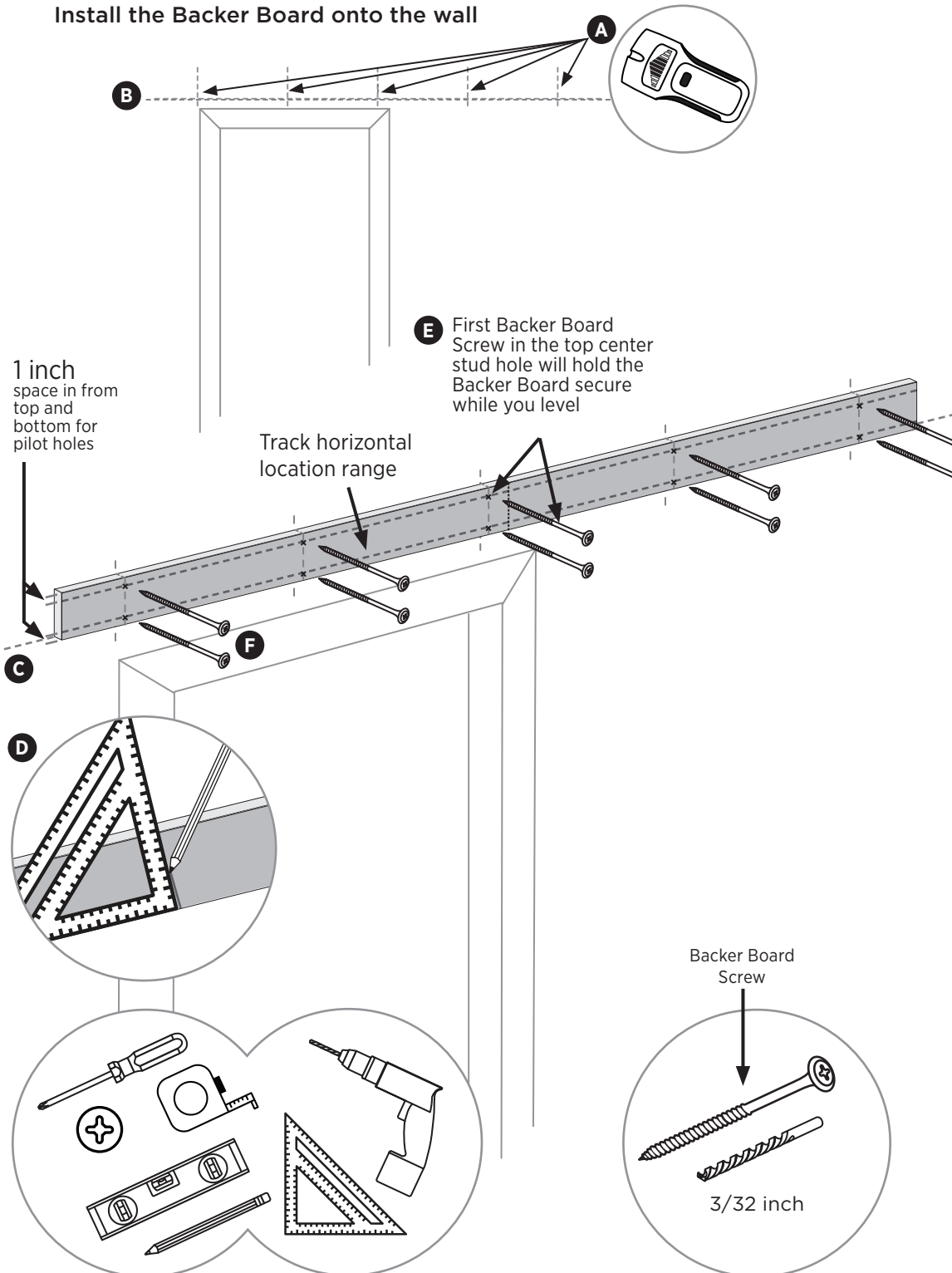
+ IMPORTANT!

If casing is more than 3 inches wide you will need to adjust the position of the Backer Board above the casing. Your Track height will still remain at 85 $\frac{3}{4}$ inch however it will not be horizontally centered on the Backer Board.

STEP 2 Installing the Backer Board

We recommend two people for this part of the installation

Install the Backer Board onto the wall



- A)** Use a Stud Finder on the wall to locate and mark off all the stud centers below your 83 inch pencil line (you should end up with a minimum of four stud locations).
- B)** Place the Backer Board on the wall lining up the center mark on wall and the mark you made in step 1A on the Backer Board.
- C)** Transfer the stud marks onto the Backer Board.
- D)** Place the Backer Board on a drillable surface. Draw a vertical, level line from your stud marks on the Backer Board. Drill two 3/32 inch holes on each stud line 1 inch up from the bottom edge and 1 inch down from the top edge of the Backer Board.
- E)** Set in all the Backer Board Screws into the Backer Board prior to placing on the wall. This will help with install of the Backer Board in the next step.
- F)** Place the Backer Board onto the wall and then line it up with the previously marked lines and measurements. Use a Level to ensure the Backer Board is level. Using the #2 Phillips Screwdriver (or Power Drill) screw in the Backer Board Screws.

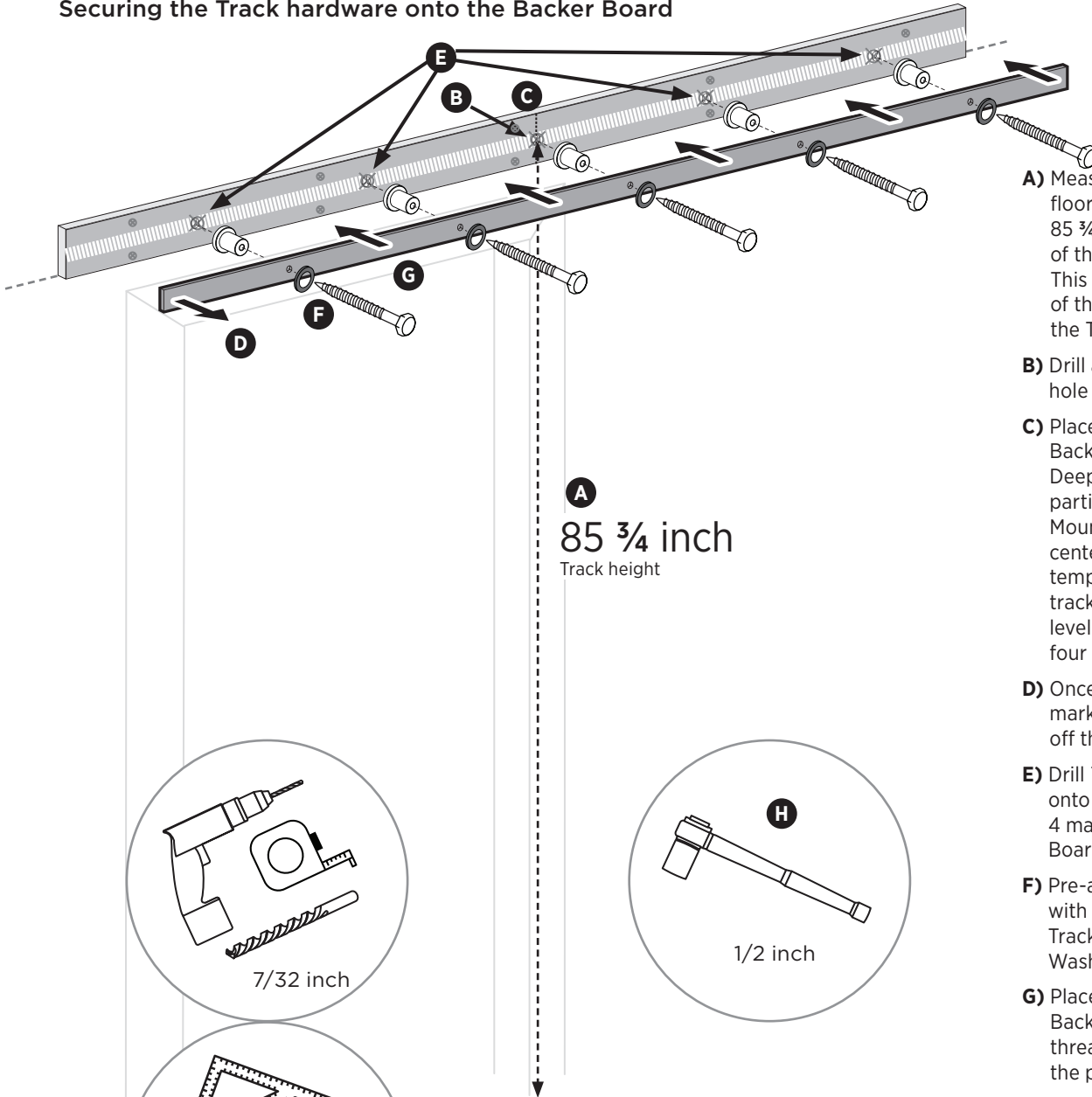


DRYWALL

STEP 3 Installing Track onto the Backer Board

We recommend two people for this part of the installation

Securing the Track hardware onto the Backer Board



A) Measure up from the floor and mark $85 \frac{3}{4}$ inch to the center of the Backer Board. This is the location of the center hole on the Track.

B) Drill a $\frac{7}{32}$ inch pilot hole at this mark.

C) Place the Track on the Backer Board. Using the Deep Socket Wrench partially install a Track Mount Screw into the center hole. This will temporarily hold the track in place while you level and mark the other four holes.

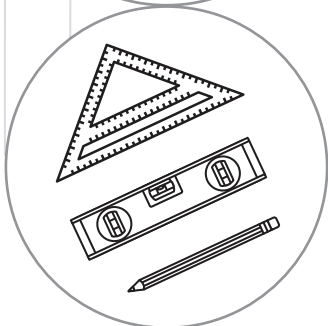
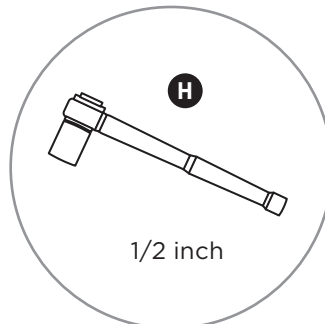
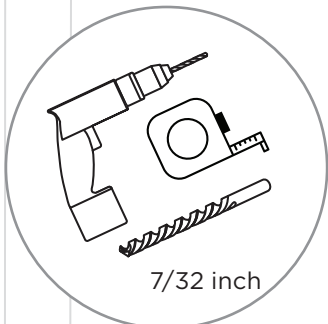
D) Once the Track holes are marked take the Track off the wall.

E) Drill $\frac{7}{32}$ inch pilot holes onto the remaining 4 marks on the Backer Board.

F) Pre-assemble the Track with the Track Spacers, Track Mount Screws and Washers.

G) Place the track onto the Backer Board and hand thread the screws into the pre-drilled holes.

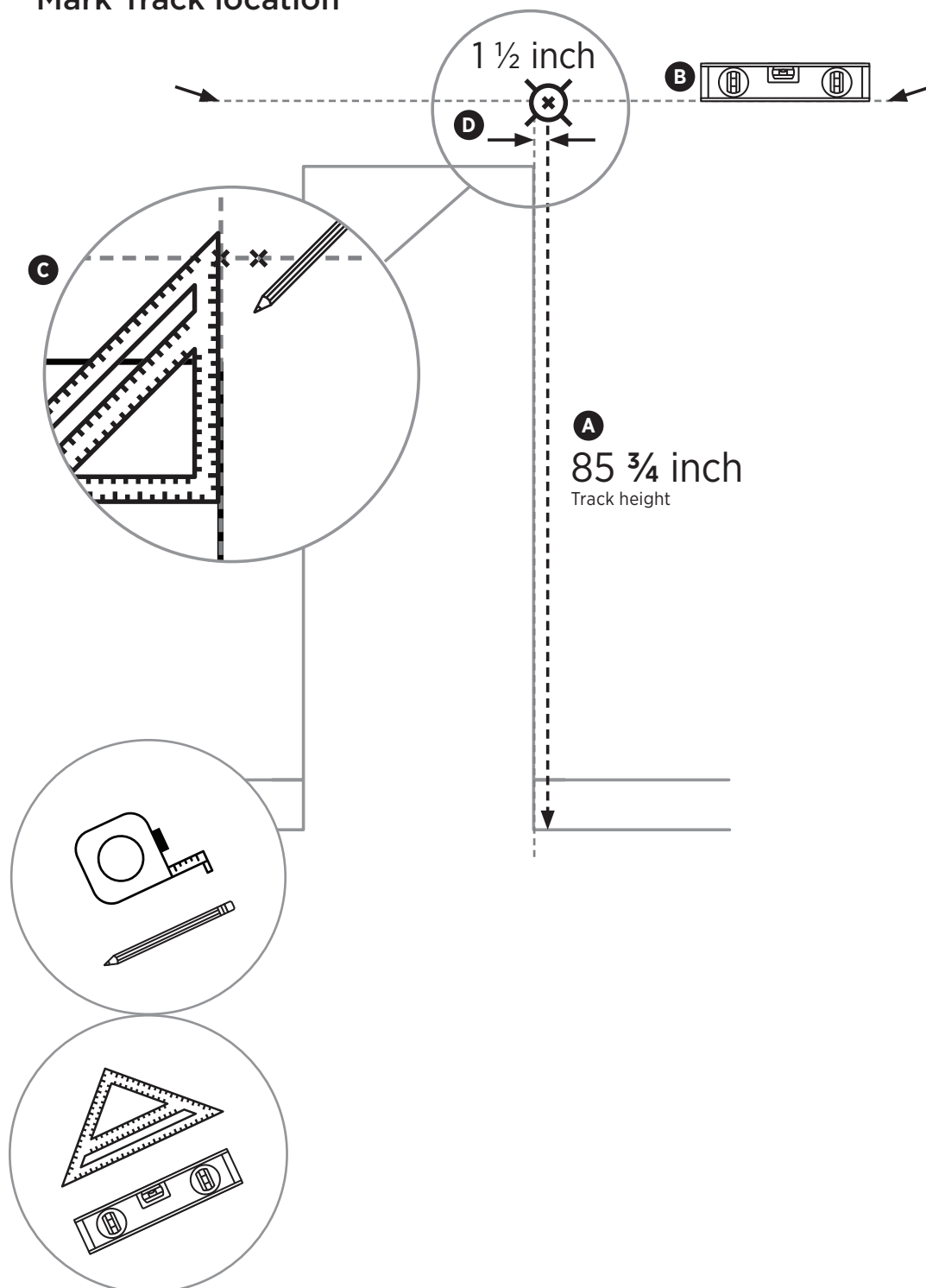
H) Use a $\frac{1}{2}$ inch Deep Socket Wrench to gently tighten (over tightening may strip the Backer Board hole) and secure the Track to the Backer Board.



Skip to **Step 7**
when **Step 3** is complete

STEP 4 Installing the Track onto the Concrete Wall

Mark Track location



- A)** Measure up 85 3/4 inch from the floor to determine Track installation location†.
- B)** Draw a level horizontal line on the 85 3/4 inch mark.
- C)** Place a Speed Square or Level vertical on the inside opening jamb and up past the 85 3/4 inch line, mark an "X" where they intersect.
- D)** Measure 1 1/2 inch to the right and mark your center point (this determines the center of the Track where the wall hanging bolts will be installed).

† IMPORTANT!

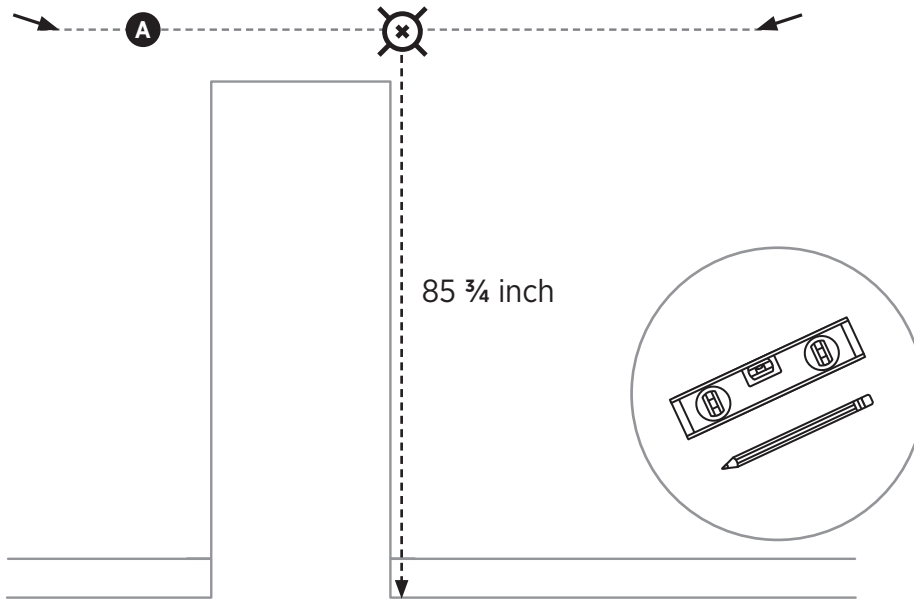
Is your floor level?
Details on Page 5.



STEP 5 Installing the Track onto the Concrete Wall

We recommend two people for this part of the installation

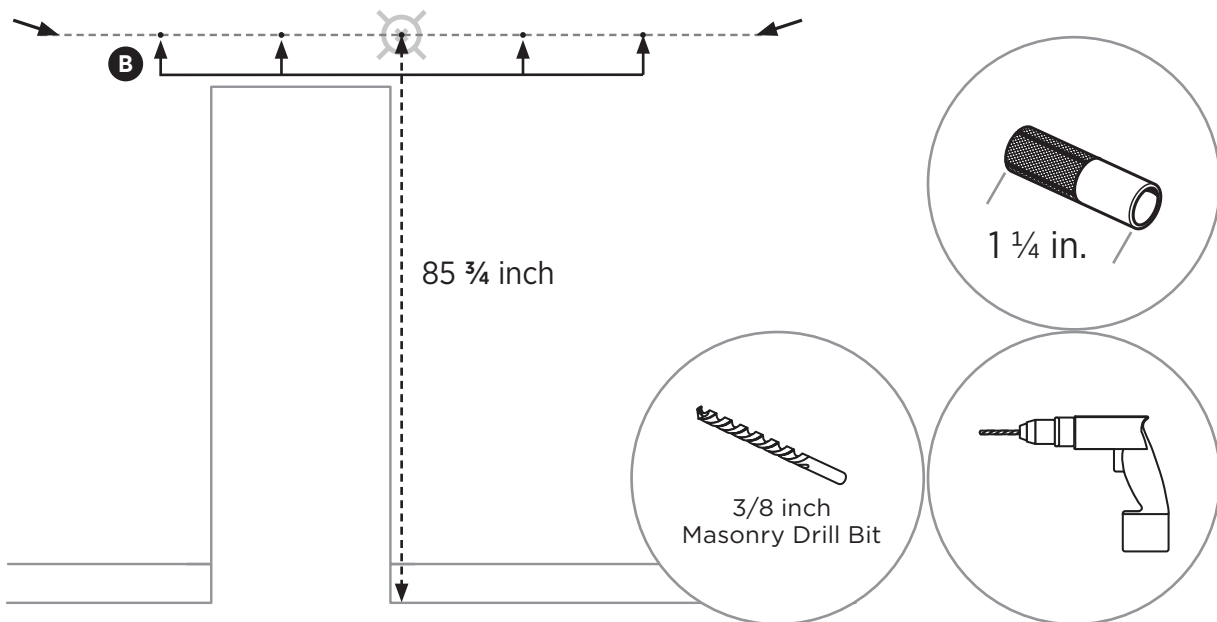
Mark holes onto the wall



A) Ensure the Track is level on the horizontal 85 3/4 inch line and mark where the holes on the Track line up with the line.

B) Using a 3/8 inch Masonry Drill Bit, drill 1 3/8 inch deep holes - for the Track Hardware - into the wall (the depth of the Carriage Anchor is 1 1/4 inch).

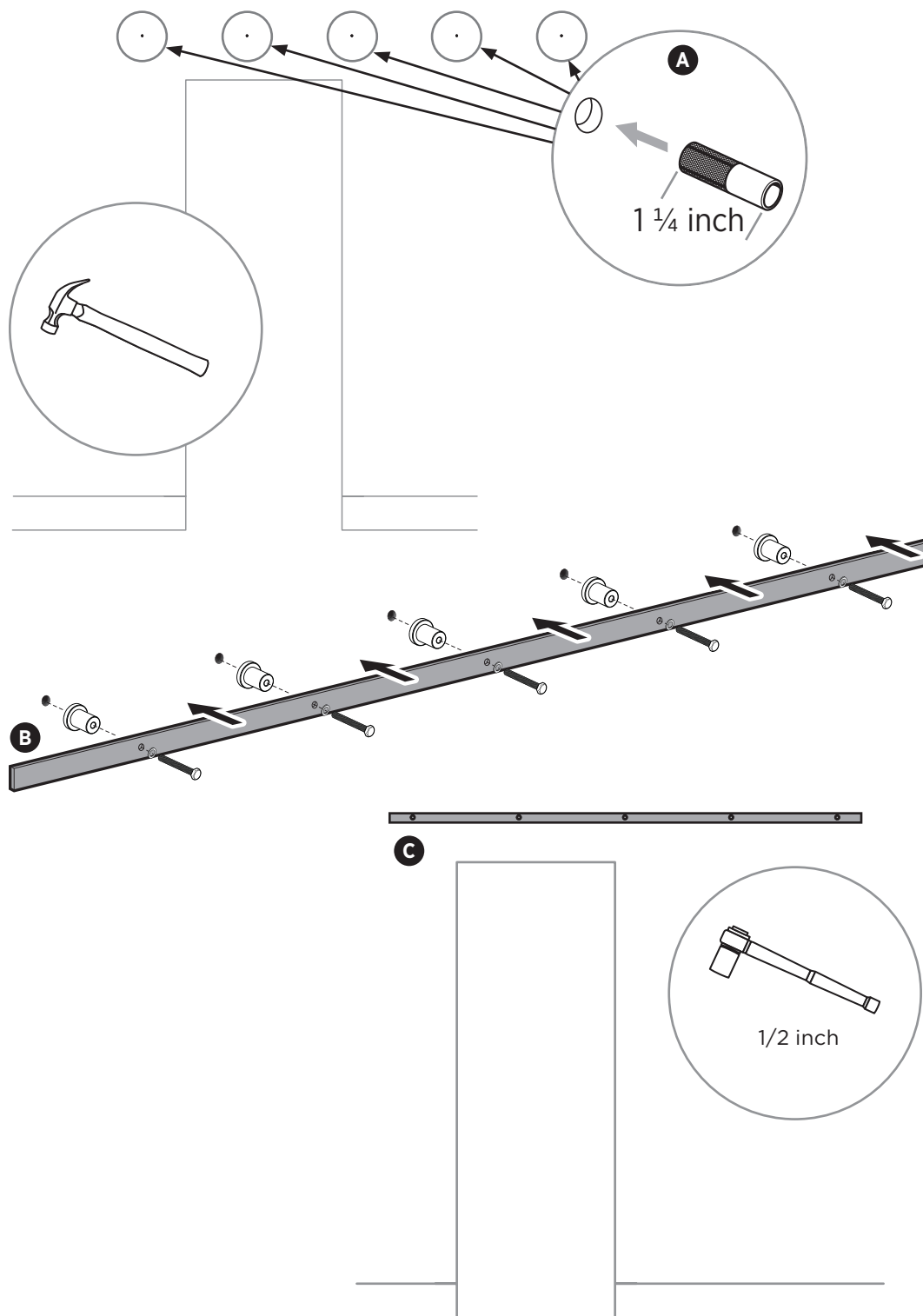
Drill pilot holes into the wall



STEP 6 Installing the Track onto the Concrete Wall

We recommend two people for this part of the installation

Inserting carriage bolt anchors into the drilled holes on wall



- A)** Insert the Track Mount Bolt Anchors (without the bolts) into the holes. Gently hammer the Anchors into the wall. Use a wood block between the hammer and the Anchors. This will help protect the surface of the Anchors.
- B)** Take the Track and pre-assemble with the Track Spacers and Track Mount Bolts with Washers and begin to thread into the Anchors.
- C)** Use a 1/2 inch Deep Socket Wrench to tighten and secure the Track assembly to the wall.

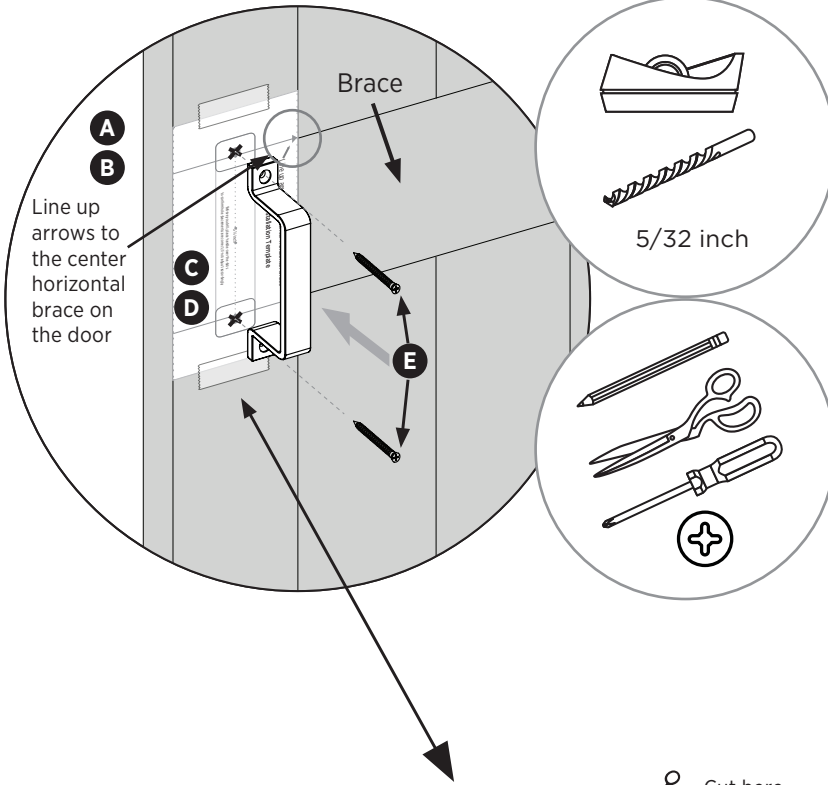


DRYWALL & CONCRETE

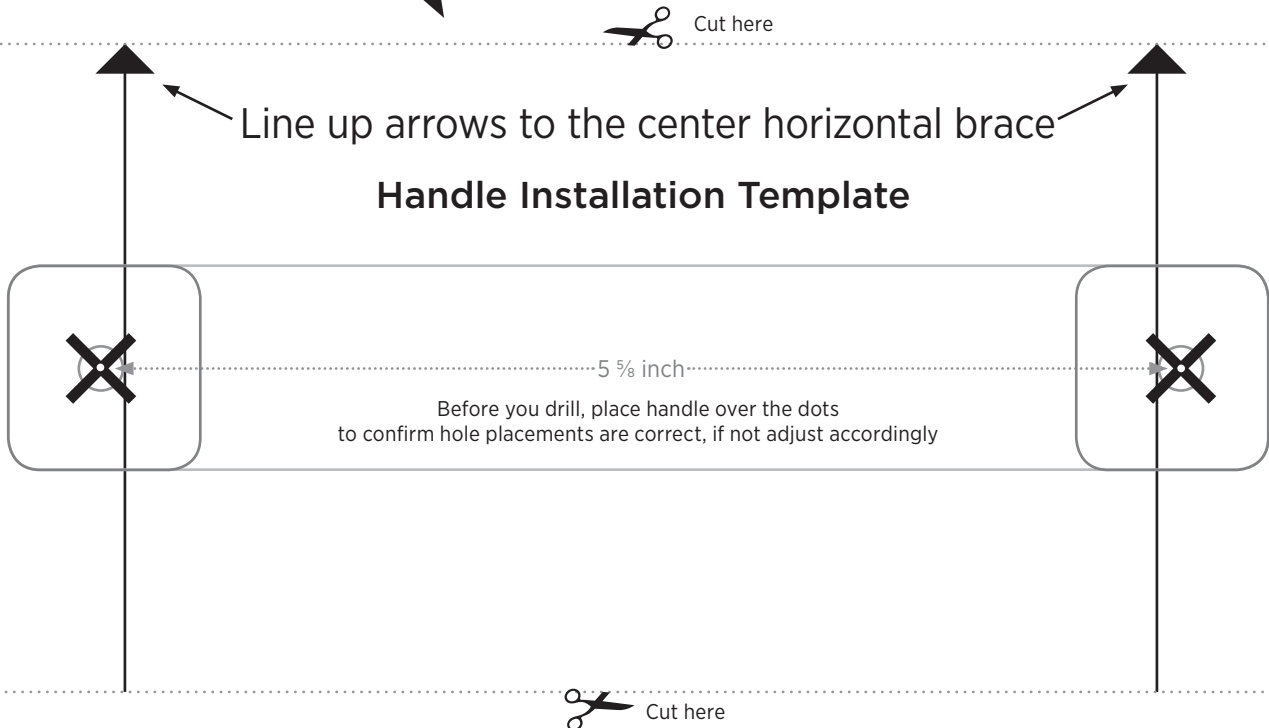
STEP 7 Install the Handle

Template available below

Installing the Handle on the Barn Door

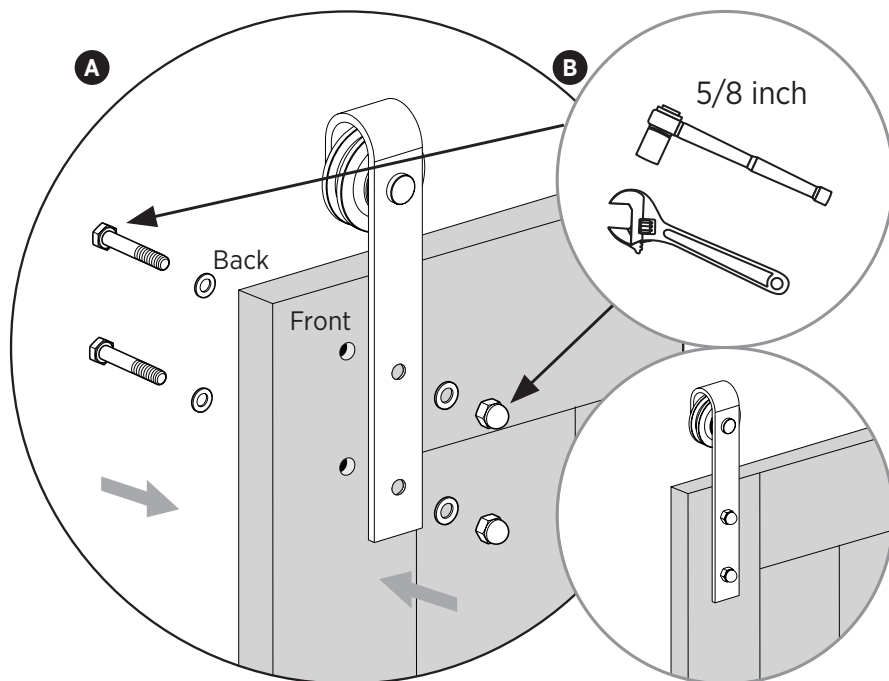


- A)** Position the supplied template onto the door as shown.
- B)** Line up the arrows to the center horizontal Brace on door and secure with some Low Tack Tape.
- C)** Poke a small hole through the center of the 'X' on the template to mark the pilot hole location. Remove template.
- D)** Drill a 1 inch pilot hole using the 5/32 inch Drill Bit. (do not drill through door).
- E)** Using a #2 Phillips Screwdriver, tighten and secure the Handle in place.



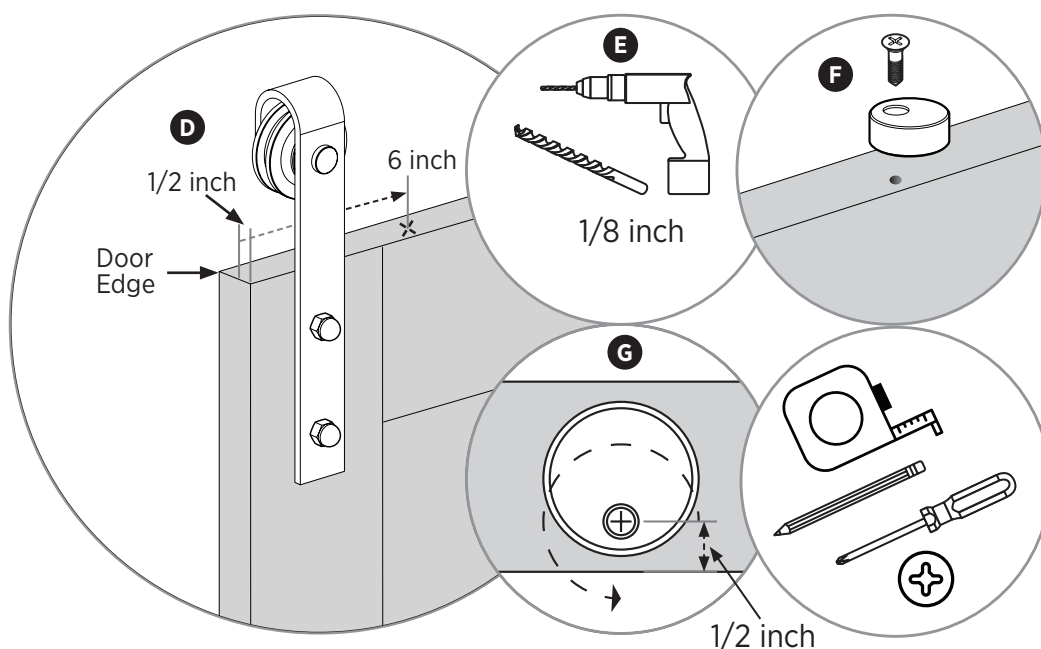
STEP 8 Install the Bent Straps and the Anti-Jump Blocks

Securing the Bent Strap hardware to the door



- A)** From the back of the door, position the Strap Mounting Bolt and a Washer. From the front of the door position the Bent Strap, Washer and Acorn Nut. Tighten by hand to secure the hardware.
- B)** Place the Adjustable Wrench on the Acorn Nut at the front of the door. Place the 5/8 inch Deep Socket Wrench on the Mounting Bolt at the back of the door. Firmly secure the hardware.
- C)** Repeat steps A and B for the second Bent Strap hardware.

Installing the Anti-Jump Blocks on the door



- D)** Measure and mark in 6 inch from both door ends and 1/2 inch from the front of the door.
- E)** Pilot drill 1/8 inch hole at both marks.
- F)** Loosely secure the Anti-Jump Blocks with a #2 Phillips Screwdriver.
- G)** Rotate the blocks outwards to allow the door to be mounted onto the Track.

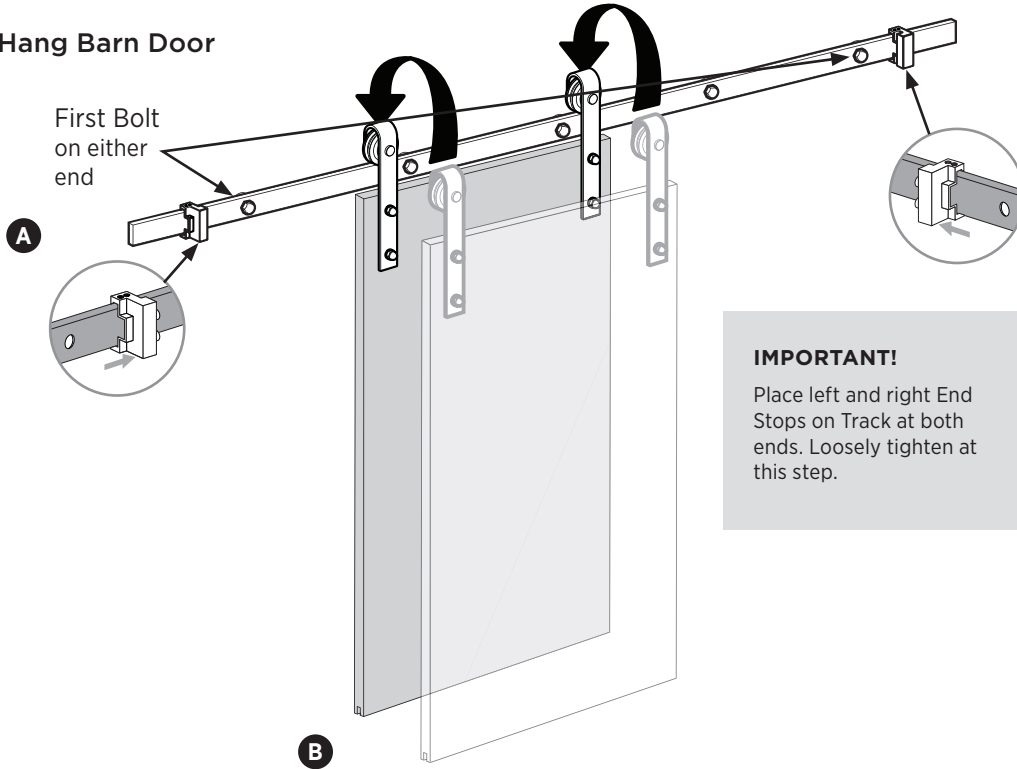


DRYWALL & CONCRETE

STEP 9 Installing End Stops and Hanging the Barn Door onto the Track

We recommend two people for this part of the installation

Hang Barn Door



A) Install left and right End Stops onto the Track. Position before the first Bolt on either end. Loosely tighten with small Allen Key.

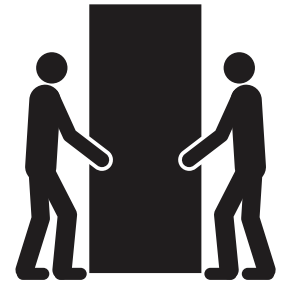
B) To easily hang the Barn Door, lift up, tilt forward towards wall, and rest down on the Track.

IMPORTANT!

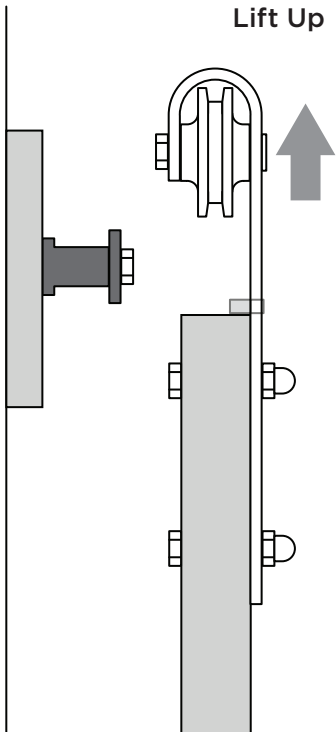
Place left and right End Stops on Track at both ends. Loosely tighten at this step.

HINT

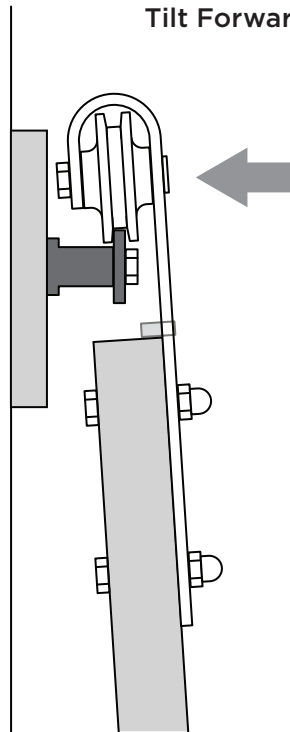
Hanging the Barn Door is easier with two people.



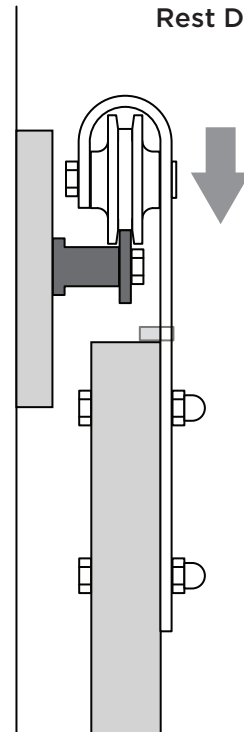
Lift Up



Tilt Forward



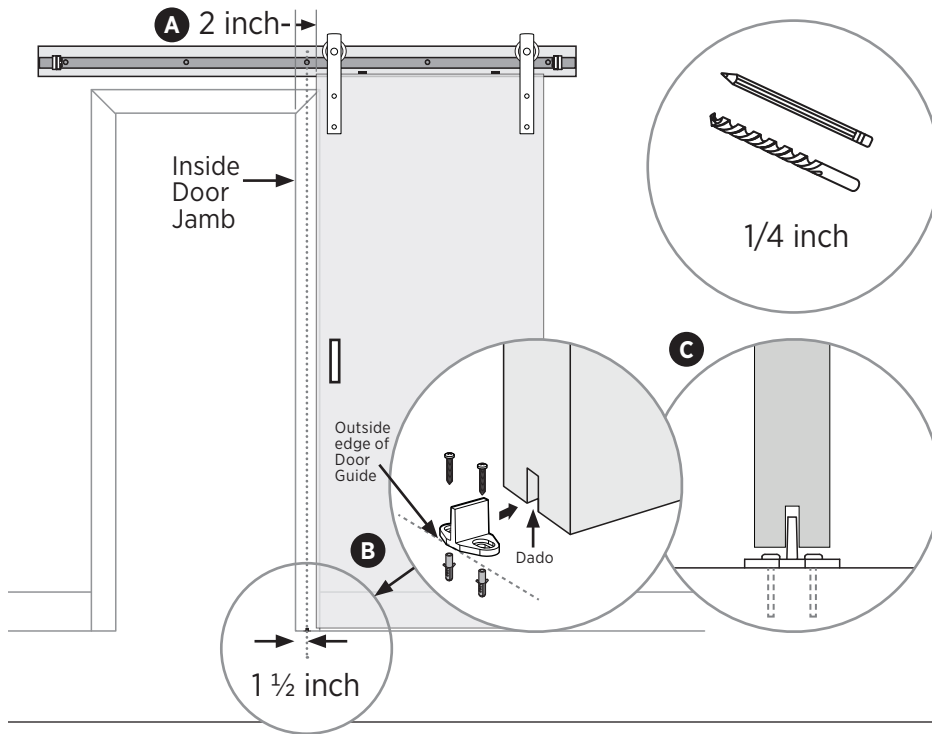
Rest Down



STEP 10 Installing the Door Guide

A door guide helps to keep your door stable and limits swinging. The following instructions provided are for the recommended floor door guide. If you prefer to install a wall door guide see below for optional instructions.

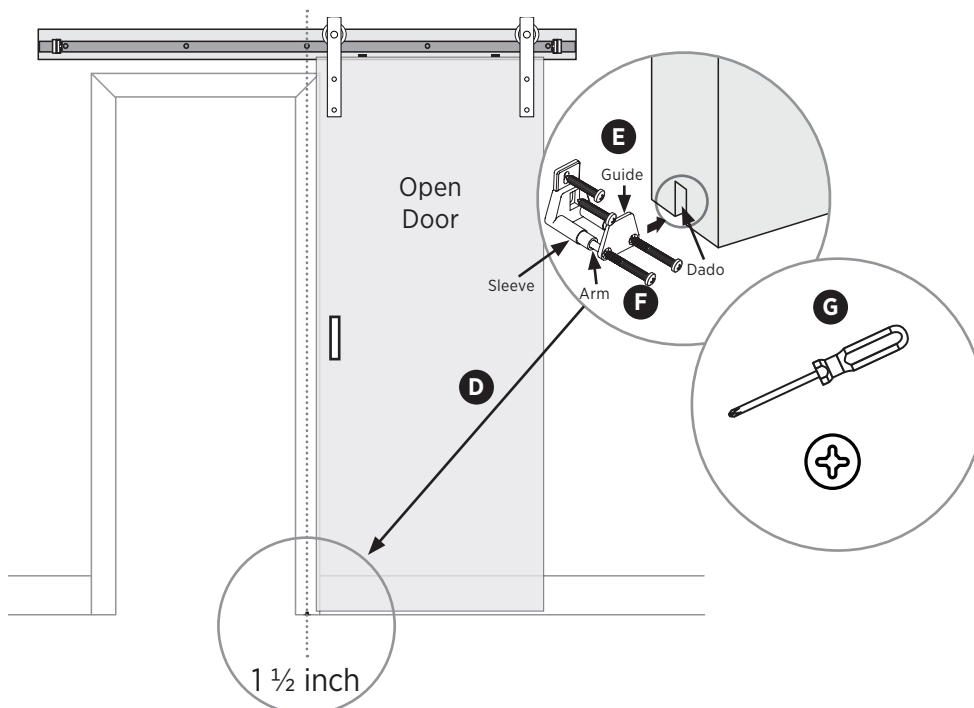
Installing the Floor Door Guide



FLOOR DOOR GUIDE (recommended)

- A)** Slide the door over 2 inches past the door jamb in order to prepare for the Floor Guide.
- B)** Position the outside edge of the Floor Guide 1 ½ inch from the jamb, adjacent to the dado slot and mark the location of the guide on the floor.
- C)** If required, pilot hole drill 1/4 inch for the floor anchors or secure directly into the floor.

Installing the Wall Door Guide (Optional)



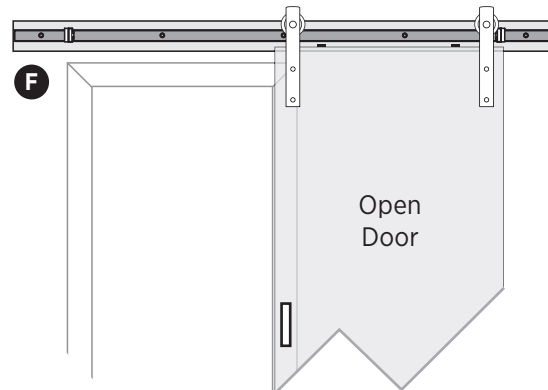
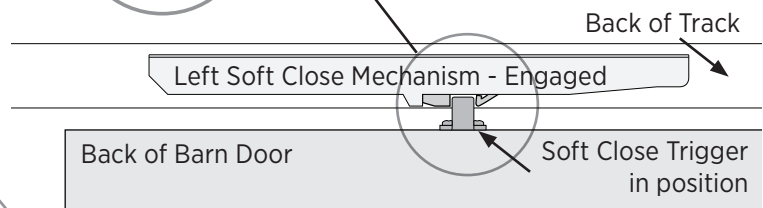
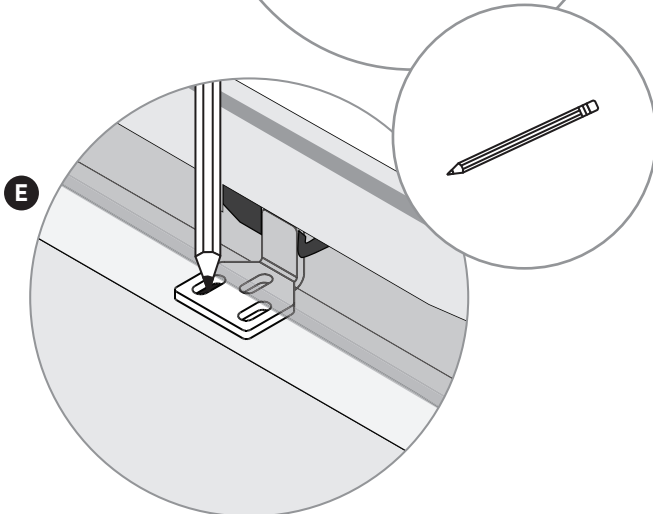
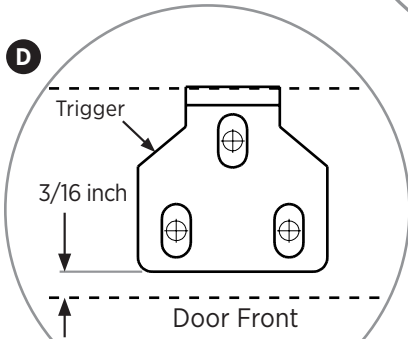
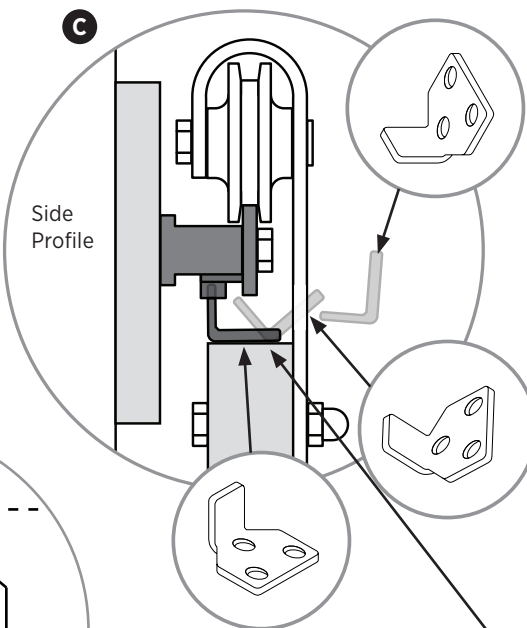
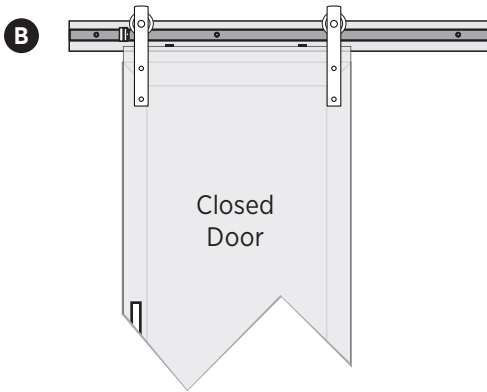
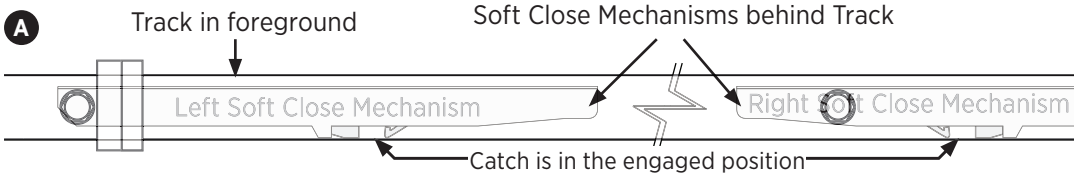
WALL DOOR GUIDE

- D)** With the screws provided secure the guide 1 ½ inch from the door jamb directly into the baseboard or wall.
- E)** Line up the guide with Dado location by pushing Guide arm in or out until you have the Guide lined up with Dado.
- F)** Pre-insert the screws on the Wall Door Guide Arm by hand.
- G)** Tighten the pre-inserted screws with a #2 Phillips Screwdriver.



DRYWALL & CONCRETE

STEP 11 Marking the Soft Close Trigger Positions



A) Position the left and right Soft Close Mechanism Catch to the engaged position.

B) Slide the door to the closed position.

C) Take the first Soft Close Trigger and scoop into place under the Track and between the Mechanism Catch.

D) Set Soft Close Trigger towards the back of the door, leaving a 3/16 inch space from the front.

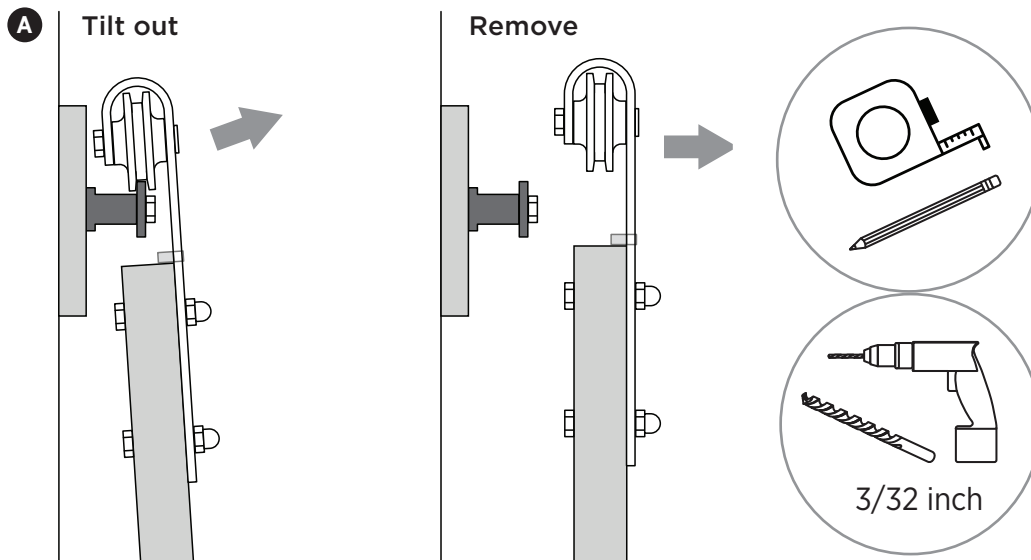
E) Use the Soft Close Trigger as a template - mark the position of the front 2 holes with a Pencil (**DO NOT AFFIX SOFT CLOSE TRIGGER TO DOOR AT THIS TIME**).

F) Remove Trigger, set the door to the open position, and repeat steps **C**, **D** and **E** on right Soft Close Mechanism.

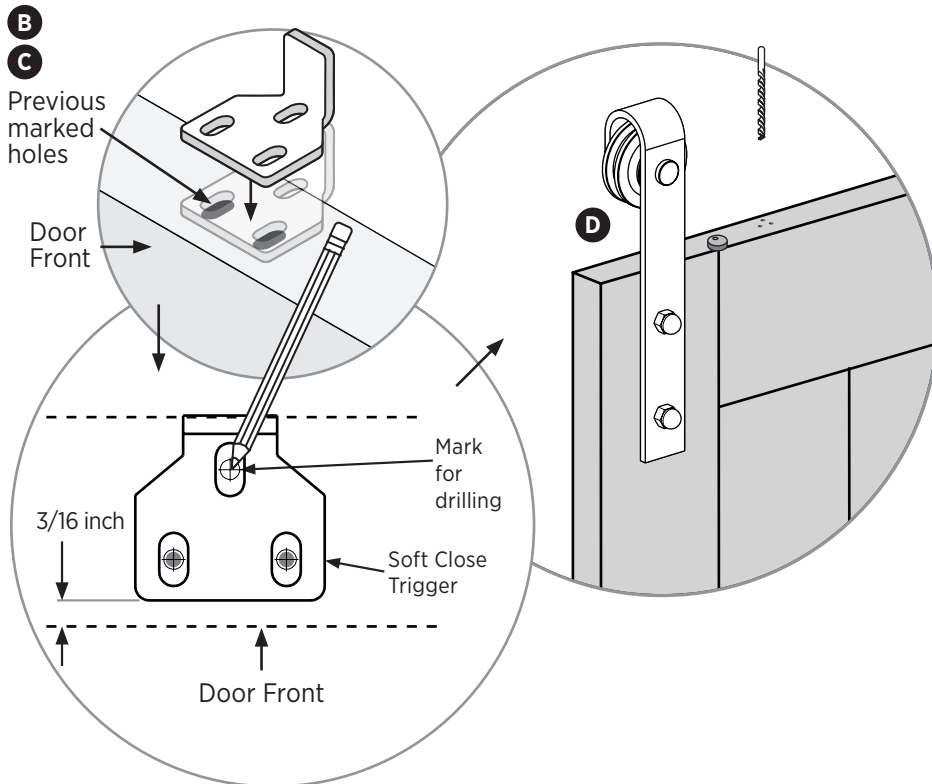
STEP 12 Pre-Drilling the Soft Close Trigger Positions

We recommend two people for this part of the installation

Drilling the Soft Close Trigger positions on Barn Door



- A)** Take the door off the Track to finish marking and drilling the Soft Close Trigger positions.
- B)** Place Soft Close Trigger on the top of door over the two previously made marks. Ensure you have 3/16 inch clearance from the front of the door and mark the back hole (third hole).
- C)** Move the Soft Close Trigger to the other side of the door and repeat step B.
- D)** Pre-drill pilot holes on the three Soft Close Trigger marks on each side of Barn Door using a 3/32 inch Drill Bit about 1 inch deep.



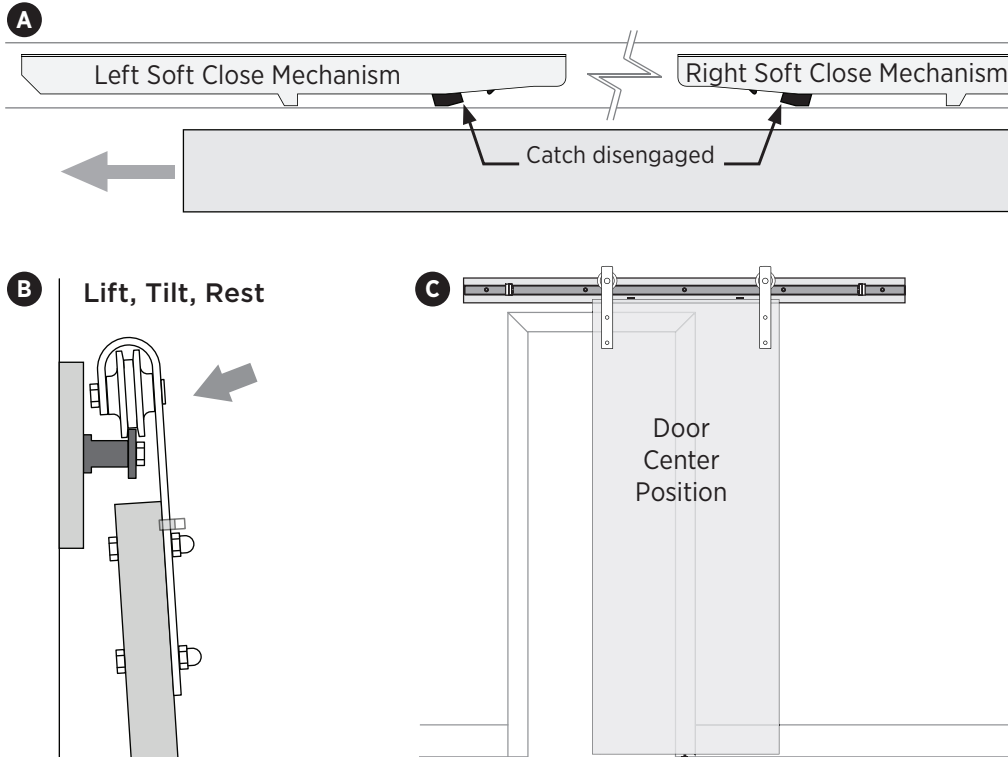
IMPORTANT!
DO NOT AFFIX THE SOFT CLOSE TRIGGERS TO THE DOOR AT THIS TIME



DRYWALL & CONCRETE

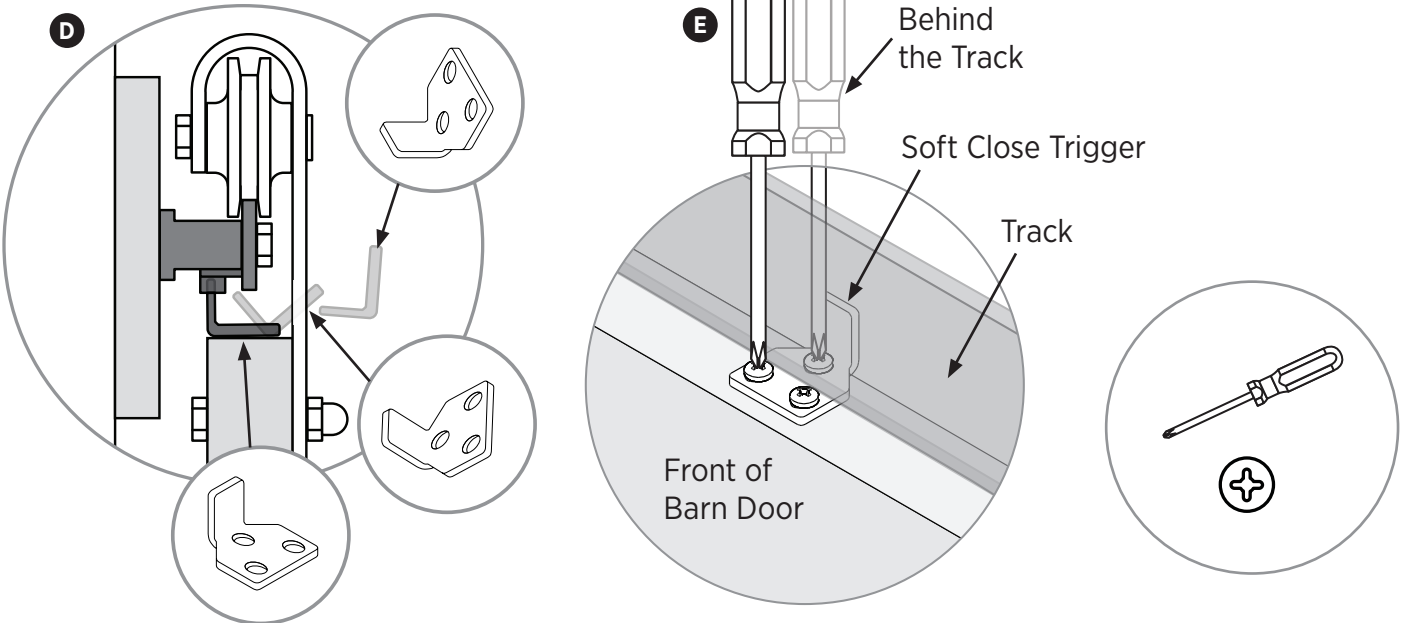
STEP 13 Securing the Soft Close Triggers into position on the Barn Door

Disengaging the Soft Close Mechanism Catch



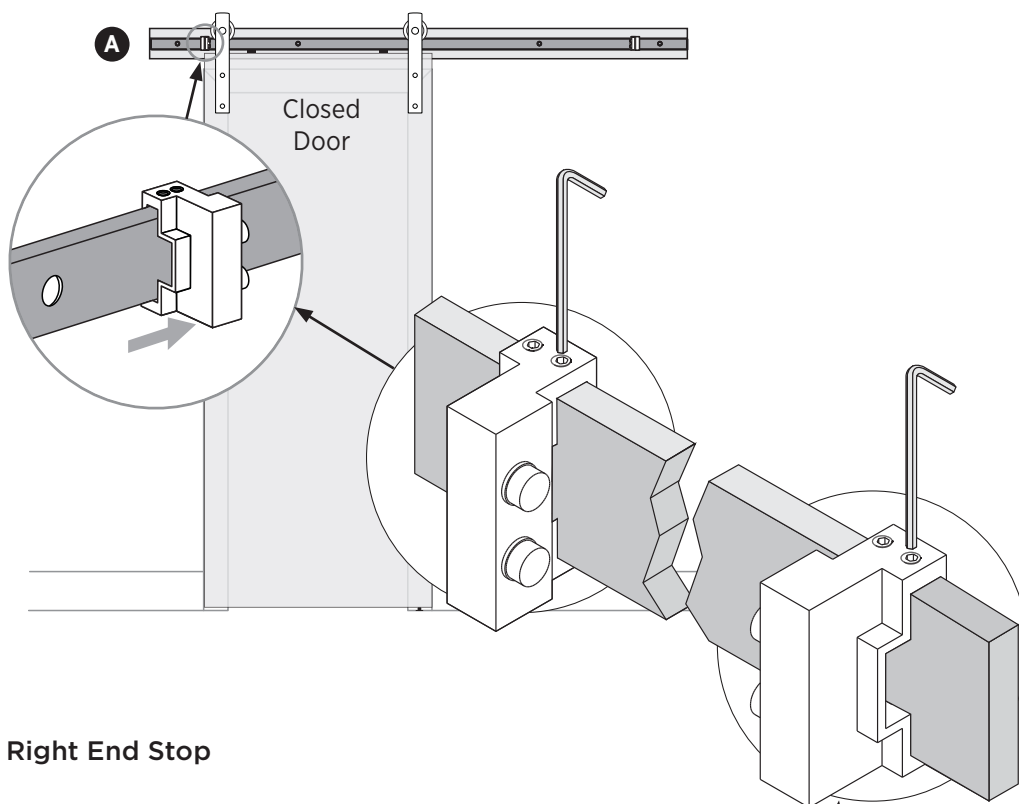
- A)** Position the left and right Soft Close Mechanism Catch to the disengaged position.
- B)** Place door back onto the Track.
- C)** Slide Barn Door into center position.
- D)** Scoop both Triggers between the top of the door and bottom of the Track. Position both Triggers over the pre-drilled pilot holes.
- E)** Screw the Soft Close Trigger into place starting with the screw that is located behind the track.
- F)** Close and open the door to ensure operation is correct.

Assembling the Soft Close Trigger



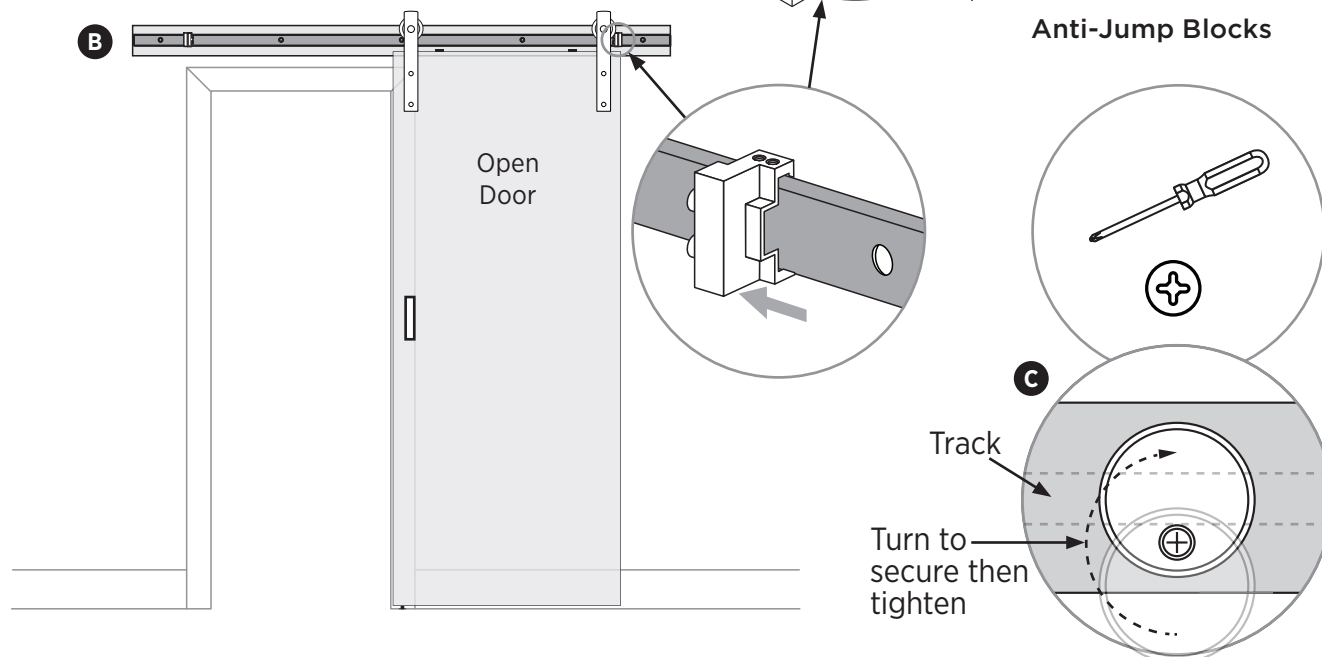
STEP 14 Securing the End Stops and Anti-Jump Blocks

Left End Stop



- A)** Slide the door into the closed position. Move the left End Stop so that it is touching the side of the Bent Strap. Tighten with the small Allen Key.
- B)** Rotate the Anti-Jump Block inward to secure door from coming off the Track. Tighten with #2 Phillips Screwdriver.
- C)** Slide the door into the open position. Repeat steps A and B for the right side of the door.

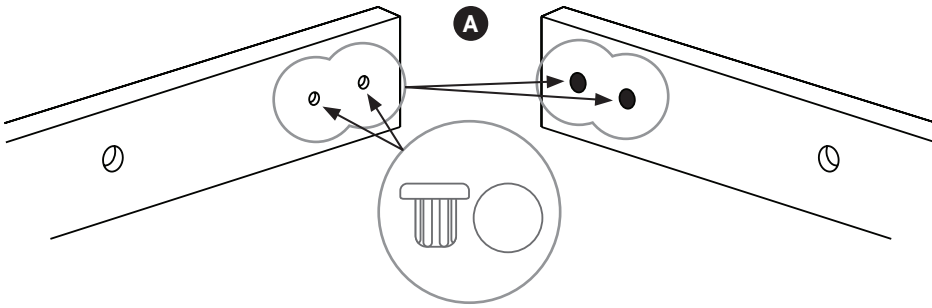
Right End Stop





DRYWALL & CONCRETE

STEP 15 Finish the installation



A) To finish the installation attach the Barn Door Track Joiner Plugs to both ends of the Track

You did it!

 Enjoy your new Renin Barn Door

5 YEAR LIMITED WARRANTY

Renin warrants their products against manufacturer's defects for up to five years from the purchase date. The warranty applies only to the original purchaser of the product from Renin.

If a product is determined to be defective due to a manufacturer's defect, Renin will supply a replacement product. The scope of the warranty is limited to replacing the product and does not include labor to install, repair, deliver, or to remove the existing product.

This warranty is void in the event the product is damaged in transit, or if damage or failure is caused by abuse, misuse, storage of products in an improper environment, abnormal usage, faulty installation, failure to follow installation instructions, damage in an accident, improper maintenance, or any repair. Renin reserves the right to inspect any claim prior to issuing credit.



1141 RYDER STREET
TUPELO, MS 38804

110 WALKER DRIVE
BRAMPTON, ON L6T 4H6

T. 800-493-5263
F. 905-791-7930

W. RENIN.COM
E. INFO@RENINCORP.COM

Follow Us

