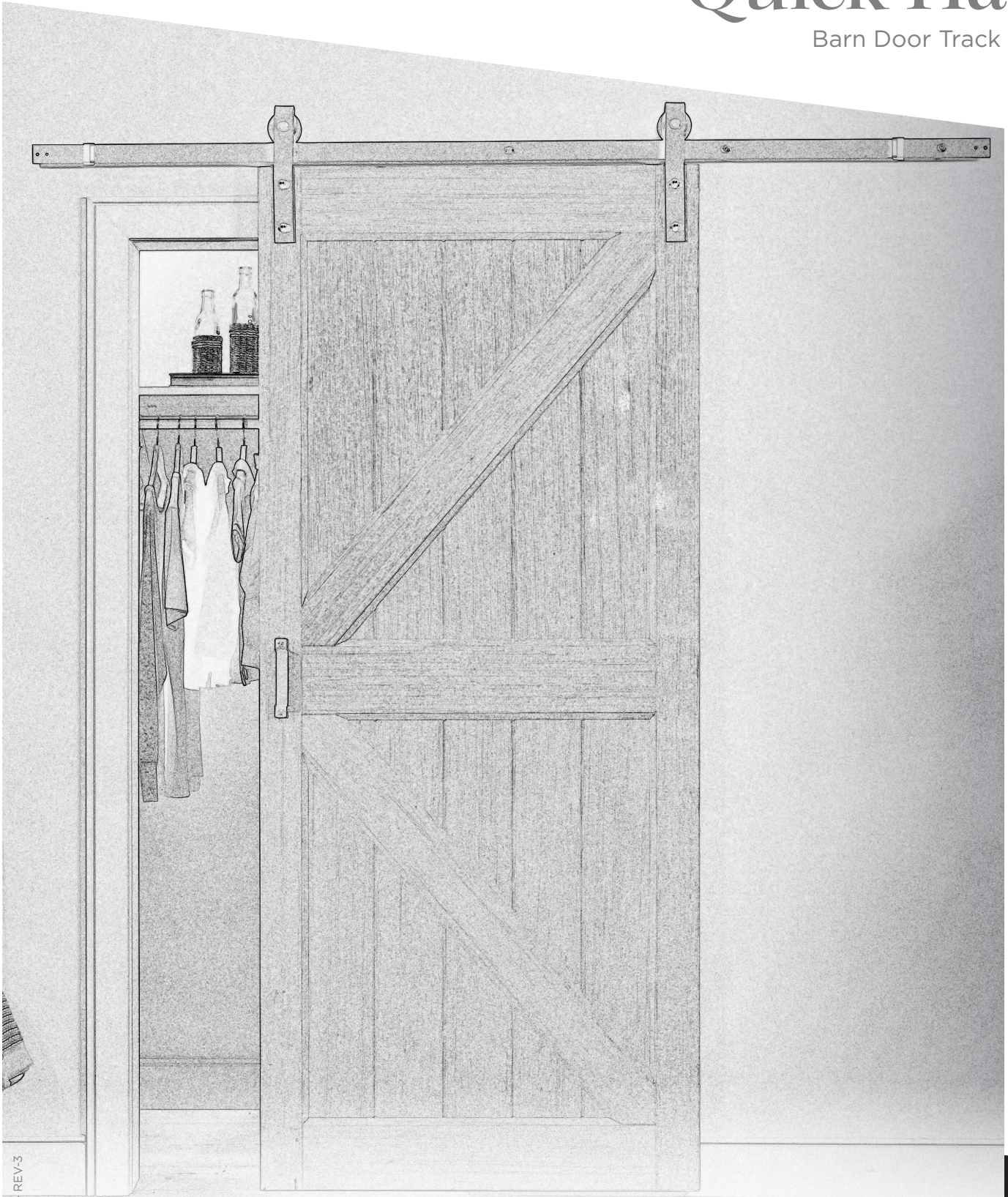


# Quick-Hang

Barn Door Track System

## INSTALLATION INSTRUCTIONS



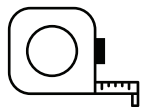
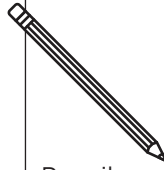
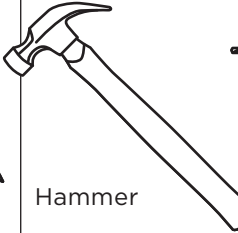
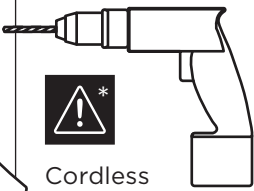

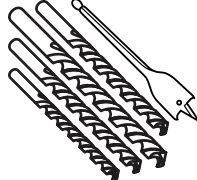

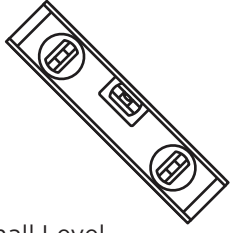
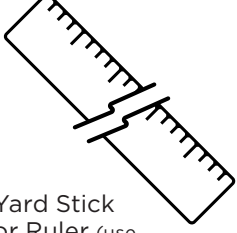


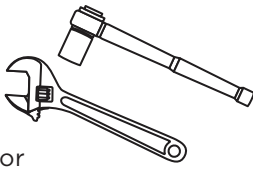
MKTD4071 - ENG - 2020 - REV-3



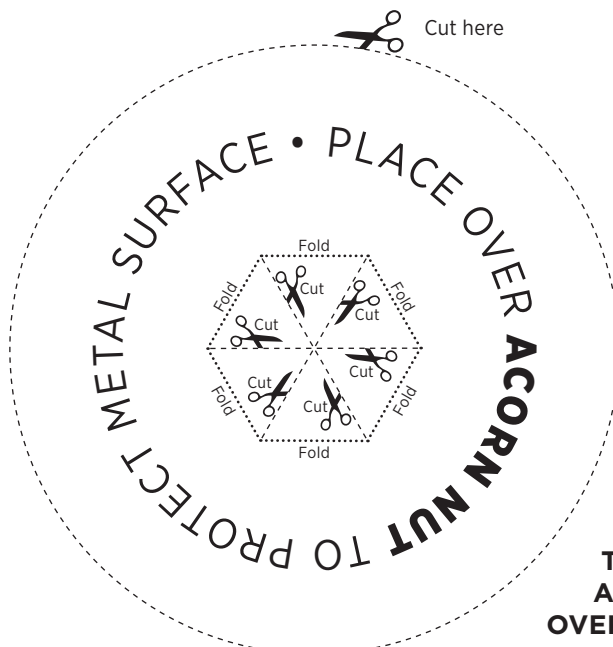
REQUIRES  
TWO  
PEOPLE

# Quick-Hang Barn Door Track System

## TOOLS REQUIRED (NOT PROVIDED)

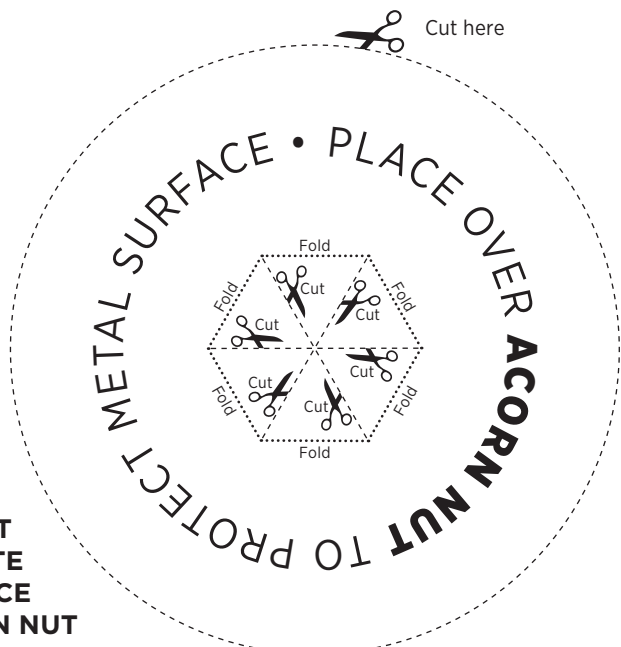
 Measuring Tape	 Pencil	 Hammer	  Cordless Drill	 1/8", 1/4", 5/32", 7/32" Drill Bits & 3/4" Spade bit	 Phillips Screwdriver
 Small Level or 4' Level	 Yard Stick or Ruler (use with small Level)	 Step Ladder	 Stud Finder	5/8 inch Deep Socket Wrench  or Adjustable Wrench	

## STEP **A** Cut Out Acorn Nut Protectors For **Step 4A**



For back of door

**CUT OUT  
 TEMPLATE  
 AND PLACE  
 OVER ACORN NUT  
 TO PROTECT METAL  
 SURFACE**



For front of door

# PLEASE READ CAREFULLY

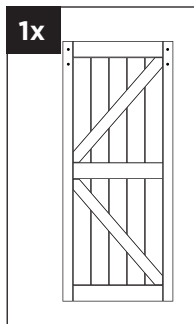
- Read all instructions carefully.
- Protect your eyes by wearing safety goggles.
- Keep the installation area free of clutter.
- Follow each step completely before starting the next step.

# IMPORTANT!

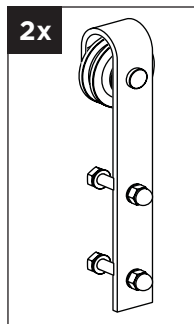
VERIFY THAT ALL PARTS ARE INCLUDED IN THE PACKAGING. IF ANY PARTS ARE MISSING, DO NOT RETURN THIS PRODUCT TO THE STORE.

FOR PARTS ASSISTANCE, PLEASE CALL 1-800-493-5263 BETWEEN 8:30 AM AND 4:30 PM EST, MONDAY TO FRIDAY. SUPPORT IS PROVIDED IN ENGLISH, FRENCH AND SPANISH.

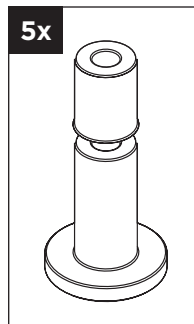
## PACKAGE CONTENTS



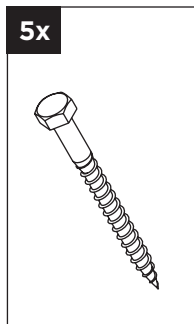
Barn Door



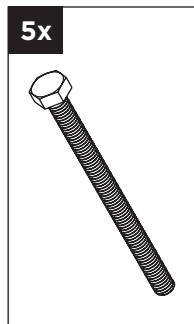
Bent Strap  
(with Bolt, Washer  
and Acorn Nut)



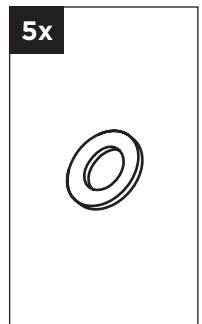
Long Track  
Spacer



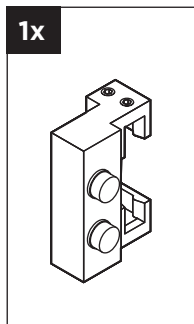
Track Mount Lag  
Screws (Direct to  
Stud)



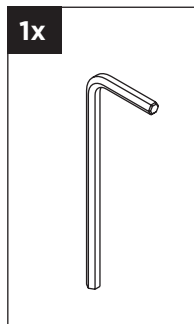
Track Mount Lag  
Bolts



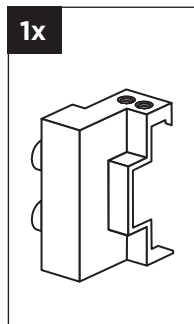
Track Mount  
Washer



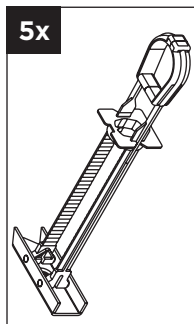
Left End Stop



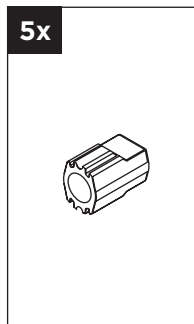
Allen Key



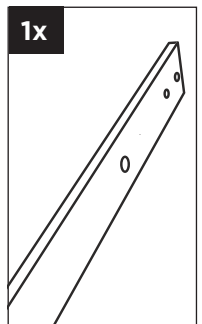
Right End Stop



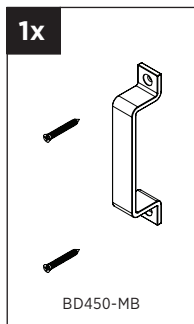
Flip Toggle  
Anchor



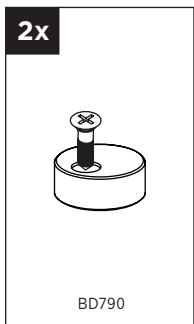
Bolt Support  
Insert



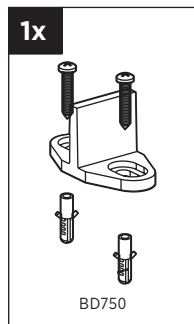
Flat Track



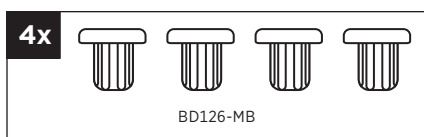
Handle



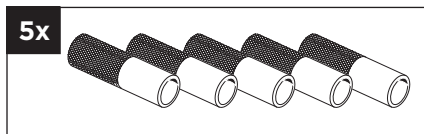
Anti-Jump Block



Floor Door Guide

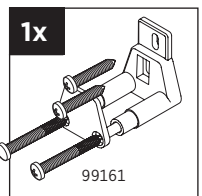


Barn Door Track Joiner Plugs

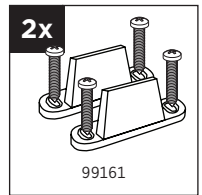


Carriage Anchor 1 1/4 inch (Option)

### OPTION



Wall Door Guide



Floor Door Guide

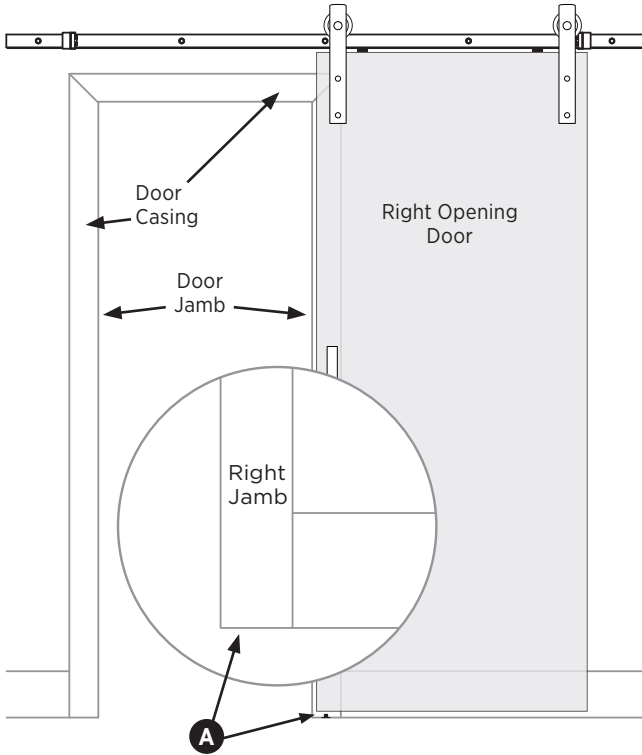
\* **WARNING:** Drilling, sawing, sanding or machining wood products can expose you to wood dust, a substance known to the State of California to cause cancer. Avoid inhaling wood dust or use a dust mask or other safeguards for personal protection. For more information go to [www.P65Warnings.ca.gov/wood](http://www.P65Warnings.ca.gov/wood).

# STEP 1 Pick Your Door Opening Location

Determine what direction your door will be opening

## A) Door opens to the right

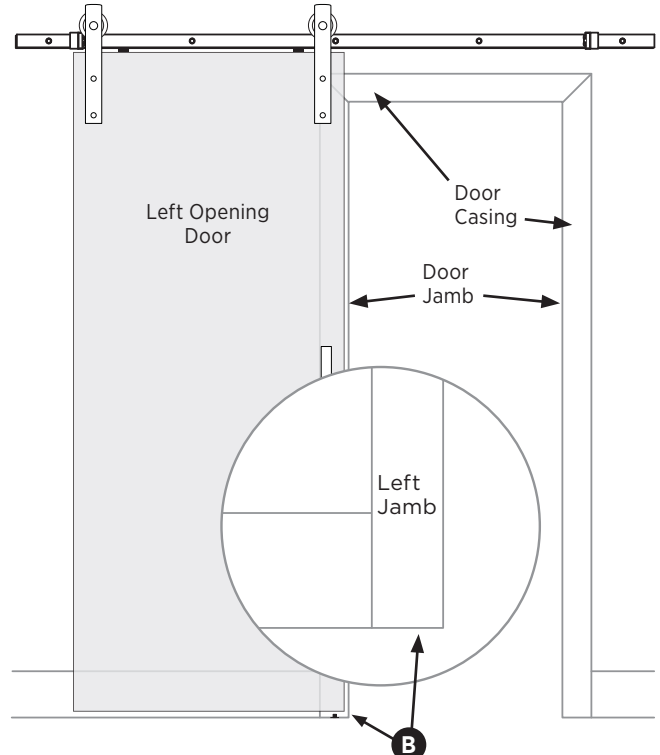
These instructions will focus on right opening doors



We will be referring to this side of the door jamb in these instructions

## B) Door opens to the left

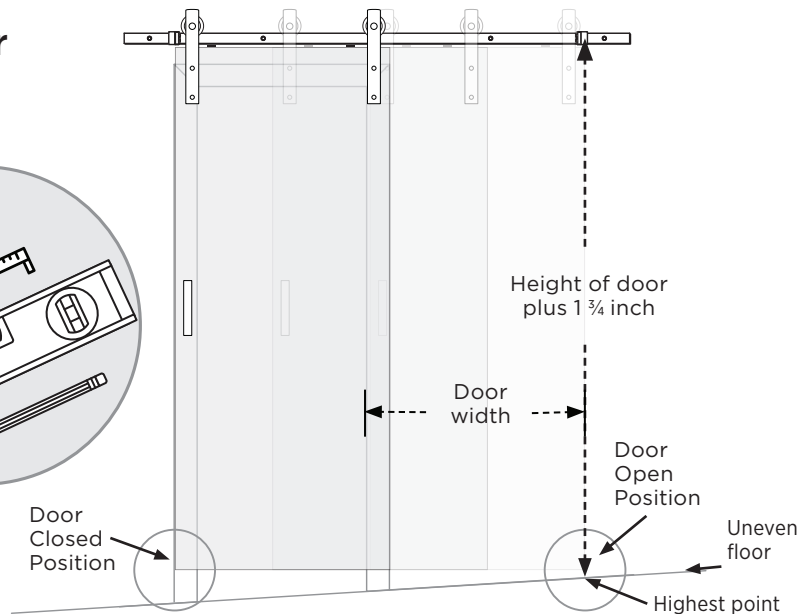
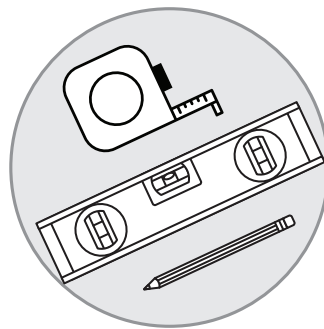
For this application work from the left jamb



If you have a left opening door, all your measurements will be focusing on this door jamb

# STEP 2 Check For Level Floor

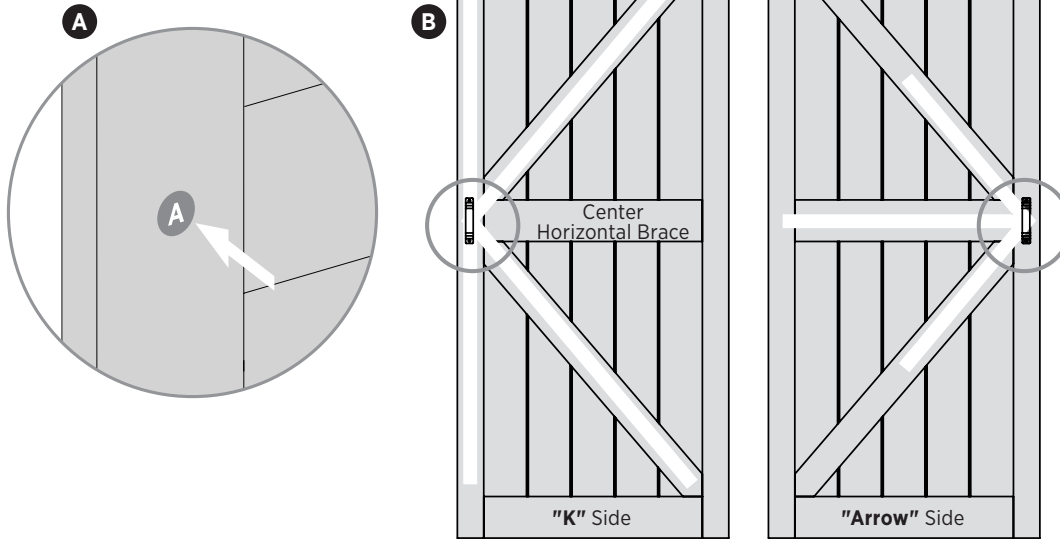
- A) Use a Level to check if your floor is uneven before making measurements.
- B) If your floor is uneven, you need to measure at the open and closed positions of the Barn Door to ensure there is enough space - select the highest point on the floor to ensure you have at least the height of your door plus 1 3/4 inch.



# STEP 3A If You Have A Hollow Core door

If your Barn Door is **NOT** a Hollow Core door move to next **Step (3B)**

Hollow Core Handle Positions



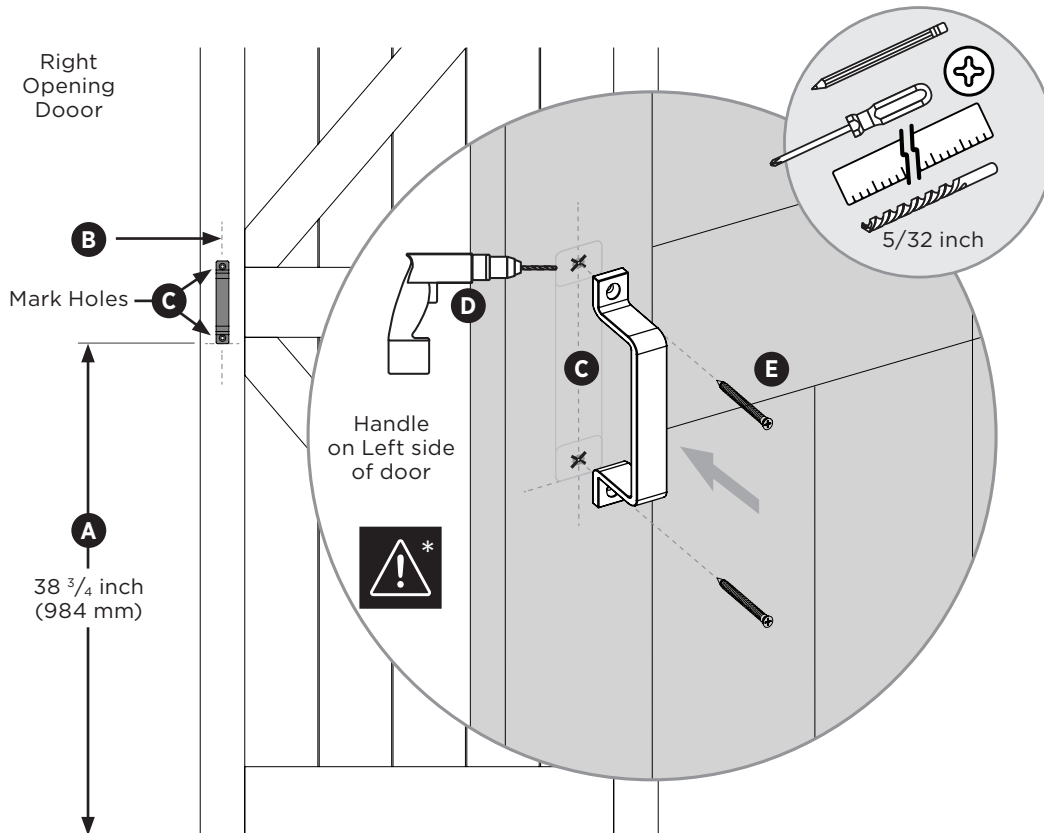
**Note:** Due to the construction of a Hollow Core door, the handle can only go in one place on either side.

- A)** Look for the **(A)** sticker for location.
- B)** Depending on door opening, front of door will either look like a “K” or an “Arrow” shape.
- C)** Once you establish the location of the door handle on your Hollow Core barn door, move to **Step 3B**.

# STEP 3B Install The Handle on the door

Determine what direction your door will be opening from. See **Step 1**

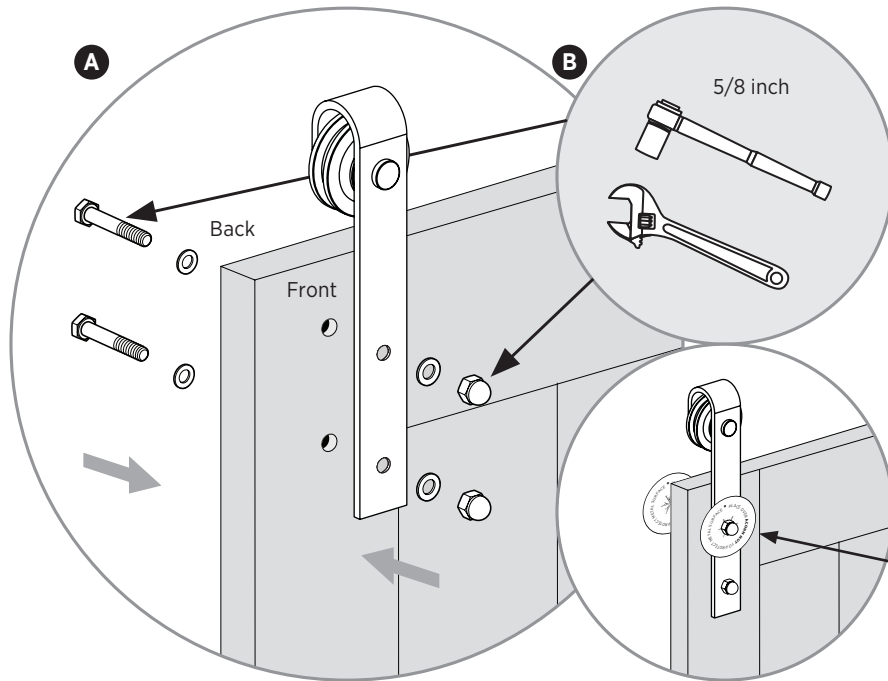
**Note:** These instructions will focus on a right opening door with handle on the Left side of door.



- A)** Measure up from the bottom of the door to the bottom of the handle 38  $\frac{3}{4}$  inch (984mm) and draw a light horizontal line.
- B)** Determine the center of the door frame and draw a light 6 inch (152 mm) vertical line up from the line drawn in **Step A**.
- C)** Line up bottom of handle to horizontal line and line up the holes with center vertical line and mark each hole with a pencil.
- D)** Drill a 1 inch deep pilot hole using the 5/32 inch Drill Bit. (**Do not drill through door**).
- E)** Using a #2 Phillips Screwdriver, tighten and secure the Handle in place.

## STEP 4A Install The Bent Straps

Securing the Bent Strap hardware to the door



**A)** From the back of the door, position the Bent Strap Mounting Bolt and a Washer. From the front of the door position the Bent Strap, Washer and Acorn Nut. Tighten by hand to secure the hardware.

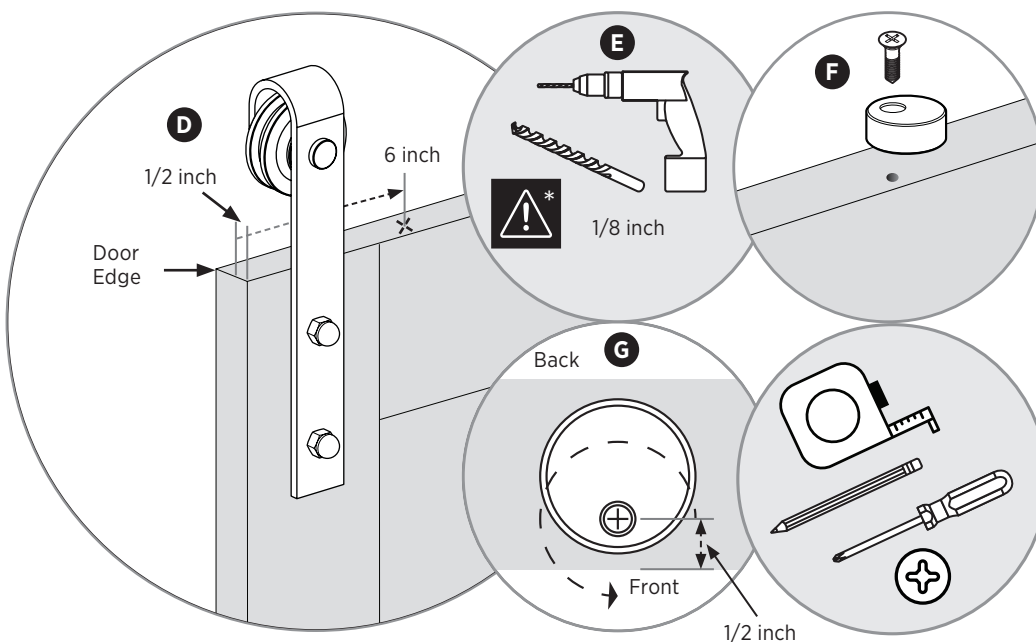
**B)** Place the 5/8 inch Deep Socket Wrench on the Acorn Nut at the front of the door. Place the Adjustable Wrench on the Mounting Bolt at the back of the door.

**C)** Repeat **Step 4A** for the second Bent Strap hardware.

**Note 1:** cut out and use the two supplied templates on page 2 (**Step A**) to protect the metal surface of the Acorn Nut and Strap.

**Note 2:** Do not over tighten

## STEP 4B Installing the Anti-Jump Blocks on the door



**D)** Measure and mark in 6 inch from both door ends and 1/2 inch from the front of the door.

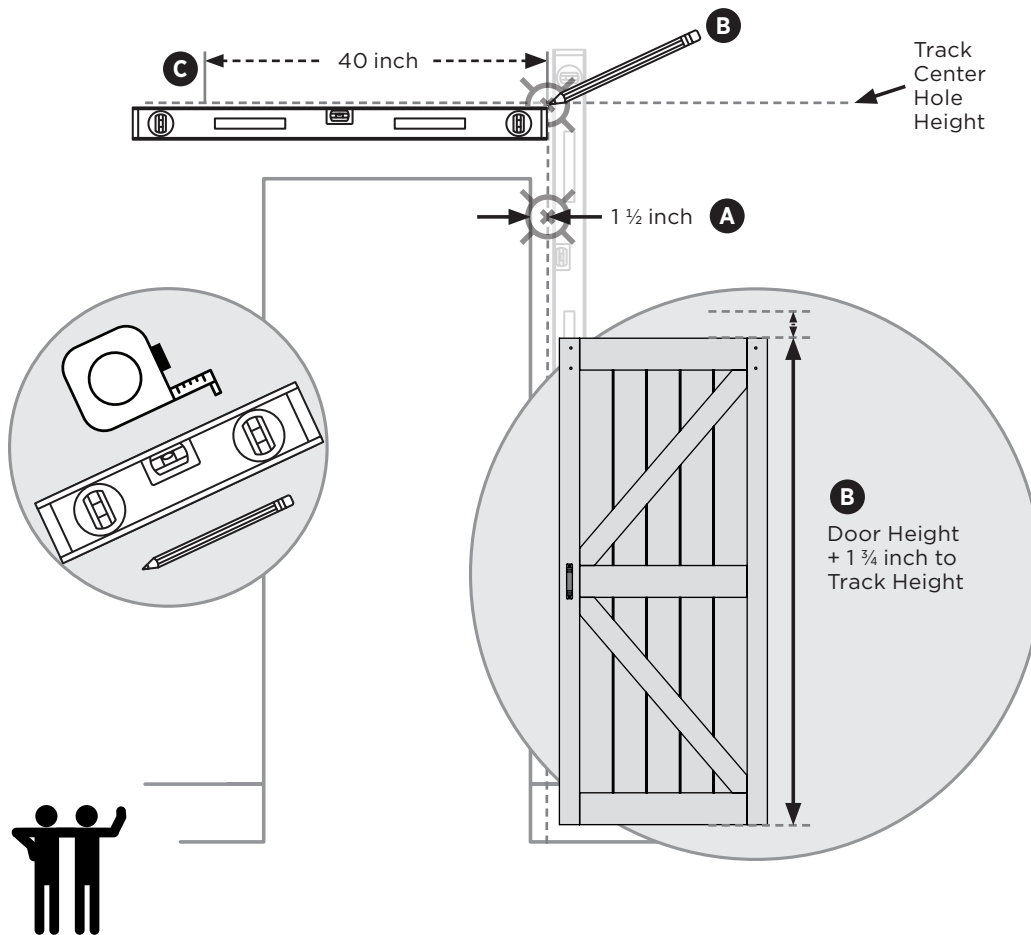
**E)** Pilot drill 1/8 inch hole at both marks.

**F)** Loosely secure the Anti-Jump Blocks with a #2 Phillips Screwdriver.

**G)** Rotate the blocks outwards to allow the door to be mounted onto the Track.

## STEP 5 Measure And Center The Track Location Onto The Wall

Mark track location



**A)** Once you determine which side of the opening your door will open to, Measure 1 ½ inch (3.8 cm) to the right and mark your center point then draw a light vertical line (roughly) 6 inch upward past the door opening (this determines the vertical center of the Track).

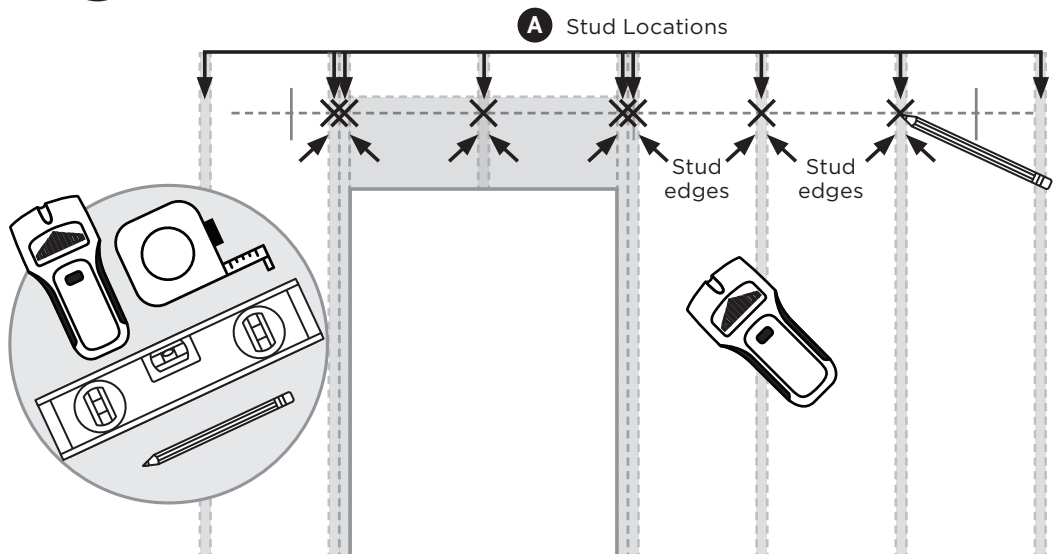
**Note 1:** For these instructions we are working on a door opening to the right (**Step 1-A**)

**B)** Measure up from the floor, (at the location determined in **Step 2**) the height of your door plus 1 ¾ inch (4.4 cm), then make a light pencil X mark on the wall.

**Note 2:** Make sure **Step 5-B** "X" mark is Vertically aligned with **Step 5-A** "X" mark

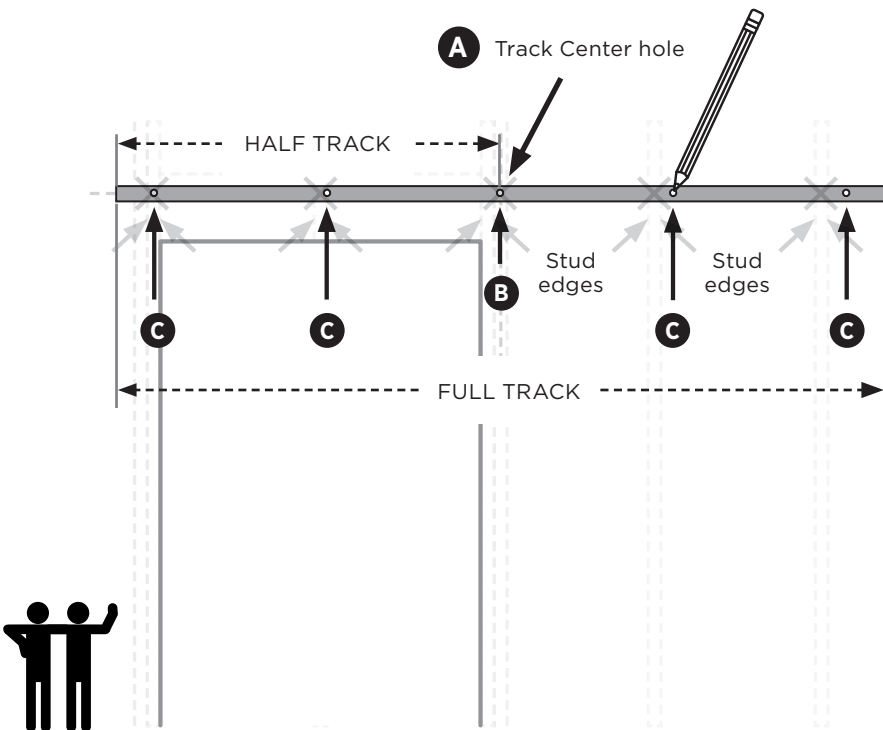
**C)** Use a 4' level, lightly draw a horizontal pencil line approximately 40" long on each side of the (**B**) "X" mark.

## STEP 6 Locate And Mark The Studs And Header



**A)** Use a stud finder to locate and mark the center and edges of each stud and cripple, as well as the top of the door header to ensure it is at least 1 inch above the line drawn.

## STEP 7 Mark The Track Position



**A)** Using the track as a template, position the tracks center hole over the drawn horizontal line's center "x" mark (**Step 5-C**).

**Note 1:** The center track hole **MUST** hit a stud center or Header.

**(B)** Using the marked studs (**Step 6**) for position - move the track center hole slightly left or right until it is centered on the stud (the track has a couple inches extra on both sides to compensate)

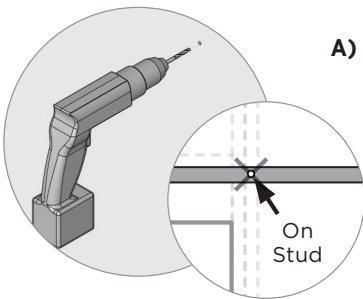
**(C)** Check if any of the other track holes align with the edge of a stud - if so - move the Track so it aligns close to the center or misses the stud by approximately 1 inch, without affecting the other holes alignments.

**Note 2:** At this point you will need a helping hand.

**D)** Once all track holes are in safe positions, Mark the holes accordingly for stud/header or wall anchor drilling.

## STEP 8 Drill Holes For Studs

If your mark aligns over the Stud

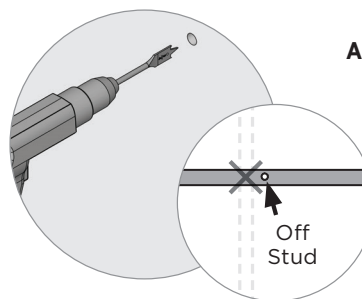


**A)** Drill the hole locations going into a wood stud or header with a 7/32" drill bit to a depth of approximately 1 1/2 inch.



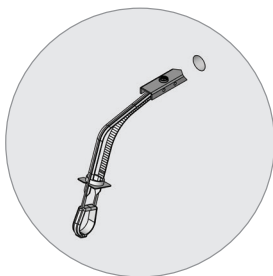
## STEP 9 Drill Holes For Anchors

If your mark aligns off the Stud



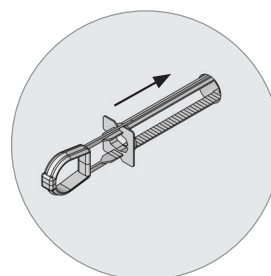
**A)** Drill the hole locations requiring a wall anchor with a 3/4" spade bit.

## STEP 10 Insert Anchor



**A)** For the wall anchor locations, fold the anchor up so the pointed end of the steel anchor plate is inserted first entirely through the drywall with the threaded hole on top as shown.

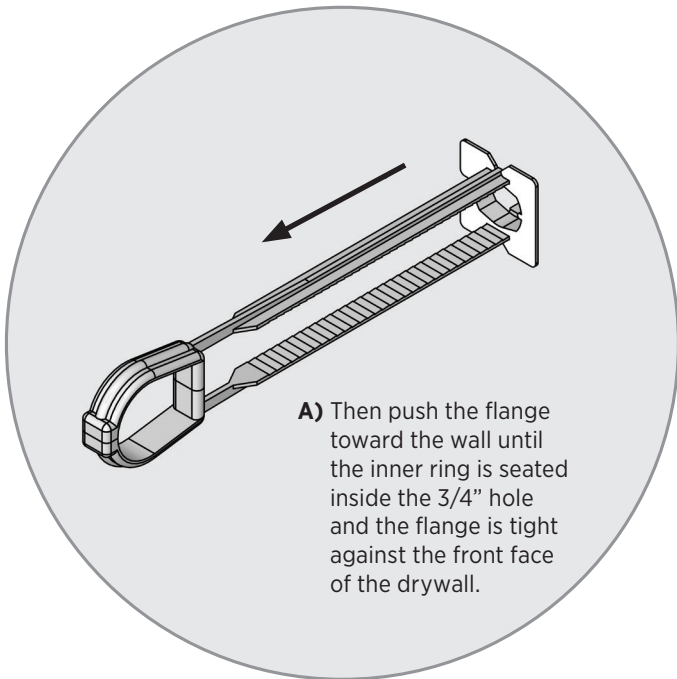
## STEP 11 Anchor Plate To Drywall



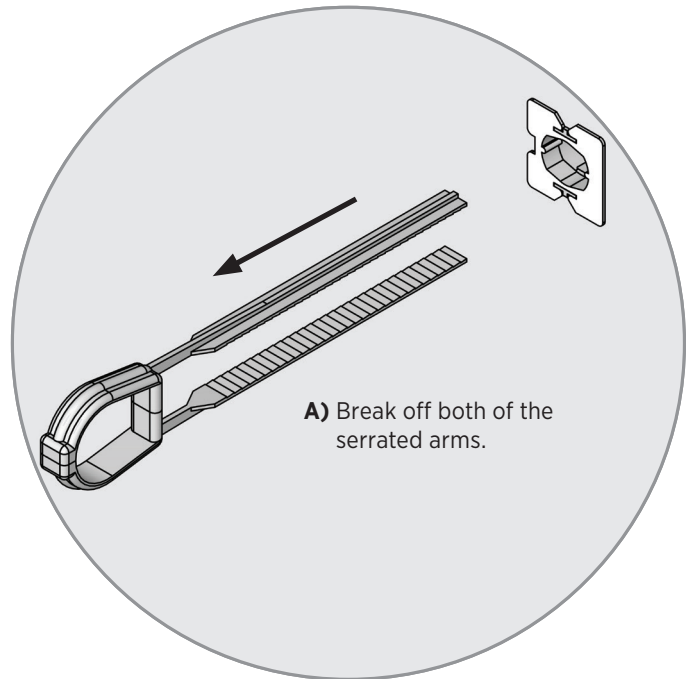
**A)** Keep the pull ring vertical and pull the anchor back so the steel anchor plate sits vertically against the inside face of the drywall.



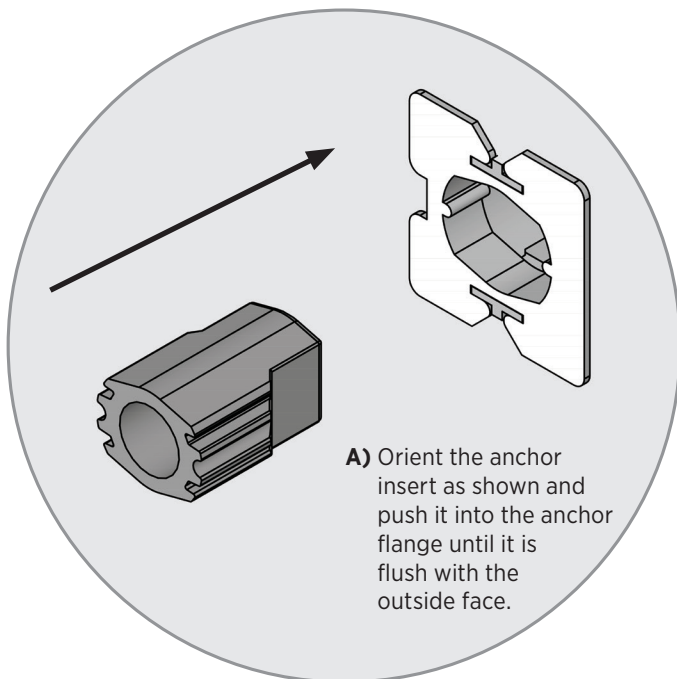
## STEP 12 Tighten Flange To Drywall



## STEP 13 Break Off Serrated Arms

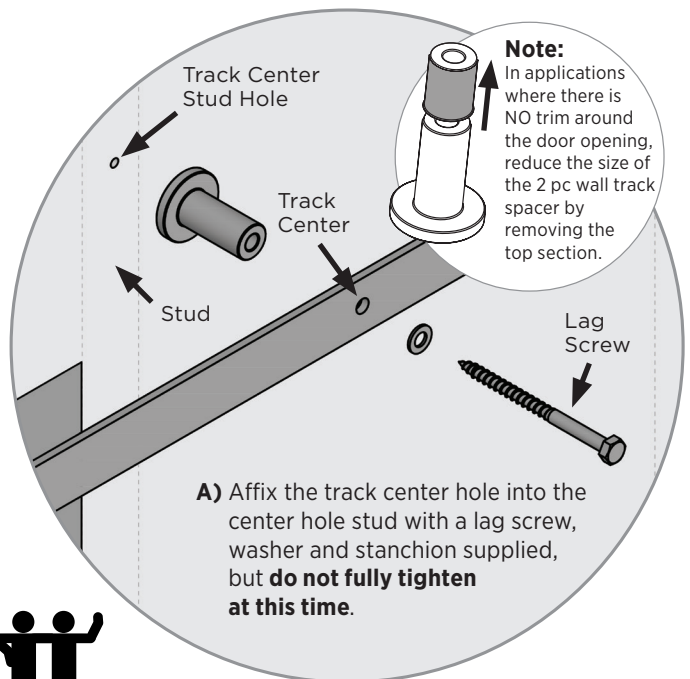


## STEP 14 Insert Anchor Insert



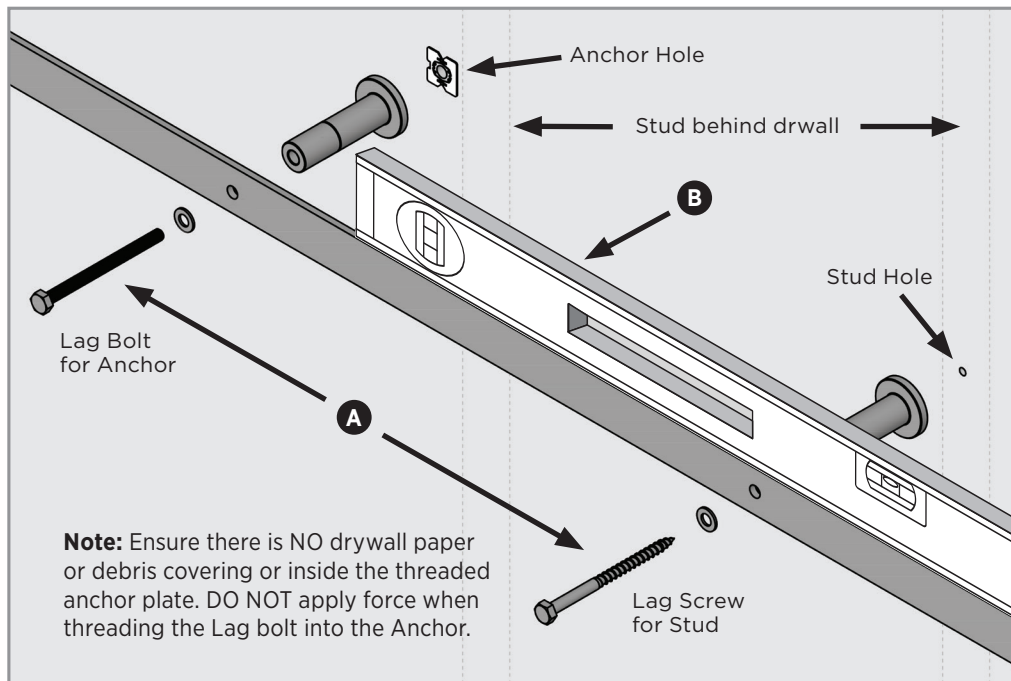
**Note:** Prior to inserting the Anchor Insert, ensure there is NO drywall paper or debris covering or inside the threaded anchor plate, so the bolt will thread easily.

## STEP 15 Affixing Track Center With Lag Screw



**Note:** The stanchion should be oriented as shown between the track and the wall with the flange of the stanchion against the wall.

## STEP 16 Finish Affixing The Track To The Wall



**A)** Finish affixing the track to the wall with the appropriate remaining fasteners (lag screws or lag bolts) along with washers and track spacer as shown.

**Note 1:** Do not fully tighten at this time.

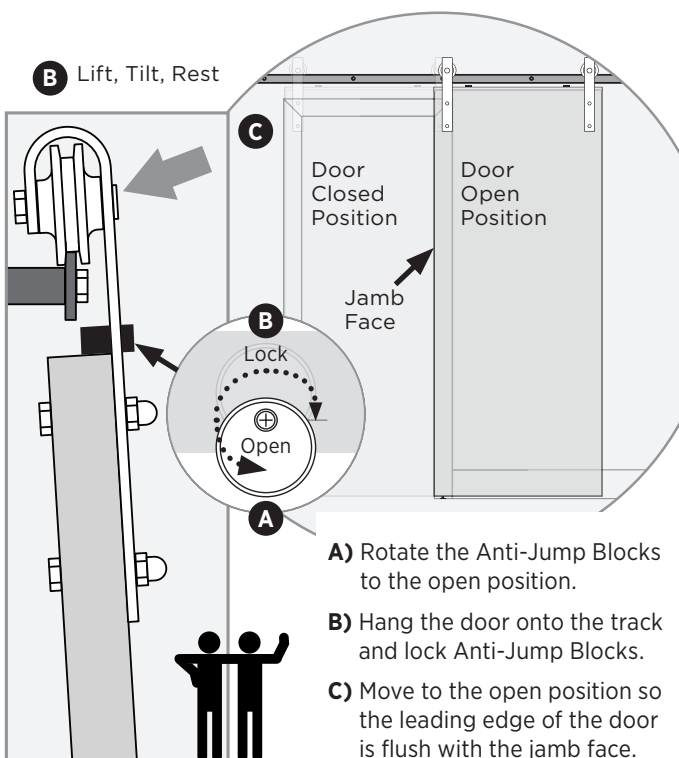
**B)** Use a level to check the track is horizontal and adjust accordingly.

**C)** Tighten all 5 fasteners.

**Note 2:** Do not over tighten, fasteners should be snug.



## STEP 17 Place Door On Track

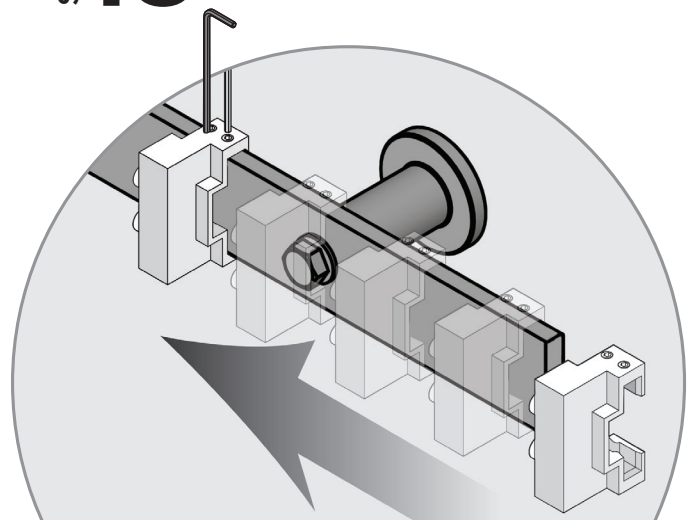


**A)** Rotate the Anti-Jump Blocks to the open position.

**B)** Hang the door onto the track and lock Anti-Jump Blocks.

**C)** Move to the open position so the leading edge of the door is flush with the jamb face.

## STEP 18 Place End Stops



**A)** Slide the appropriate End Stops (Left and Right) onto the end of the track until it contacts the Bent Strap and lightly tighten the set screws on top with supplied Allen Key.

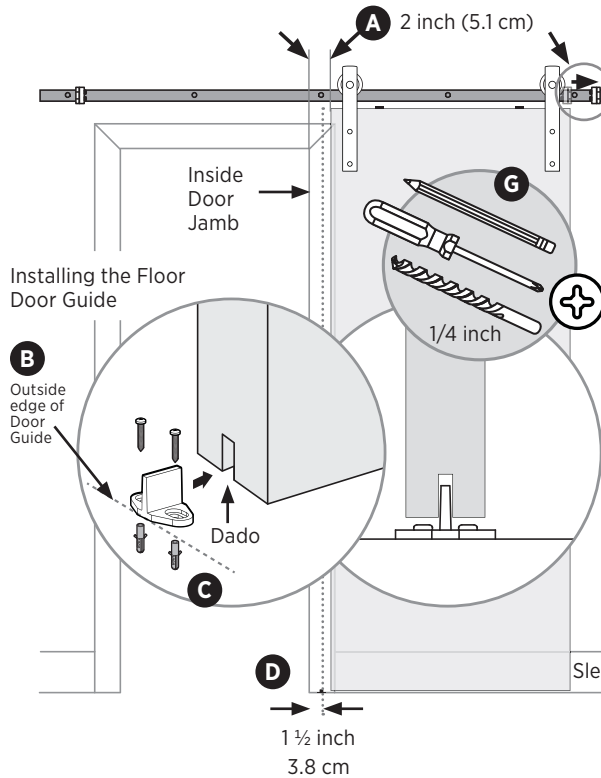
**B)** Move the door to the closed position and repeat (A) for that side.

## STEP 19 Installing the Door Guide

**Note:** A door guide helps to keep your door stable and limits swinging. The following instructions provided are for the recommended floor door guide. If you prefer to install a wall door guide see below for optional instructions.

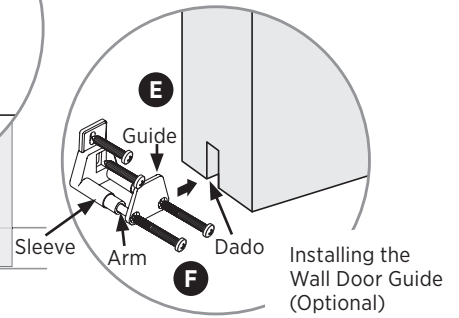
### FLOOR DOOR GUIDE (Recommended)

- A)** Slide the door over 2 inches (5.1 cm) past the door jamb in order to prepare for the Floor Guide. Loosen the Right End Stop and move it over 2 inches in order to move door.
- B)** Position the outside edge of the Floor Guide 1 1/2 inch (3.8 cm) from the jamb, adjacent to the dado slot and mark the location of the guide on the floor.
- C)** If required, pilot hole drill 1/4 inch for the floor anchors or secure directly into the floor.



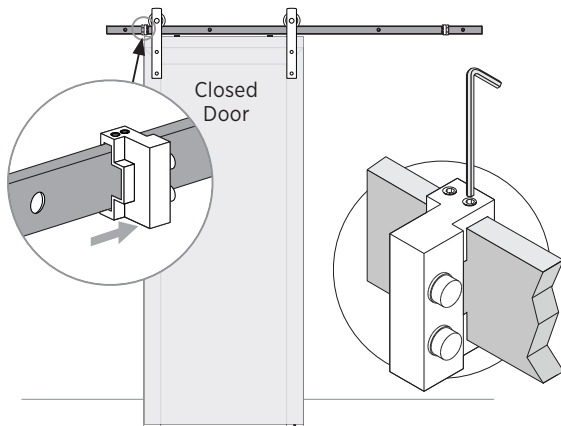
### WALL DOOR GUIDE

- D)** With the screws provided secure the guide 1 1/2 inch (3.8 cm) from the door jamb directly into the baseboard or wall.
- E)** Line up the guide with Dado location by pushing Guide arm in or out until you have the Guide lined up with Dado.
- F)** Pre-insert the screws on the Wall Door Guide Arm by hand.
- G)** Tighten the pre-inserted screws with a #2 Phillips Screwdriver.



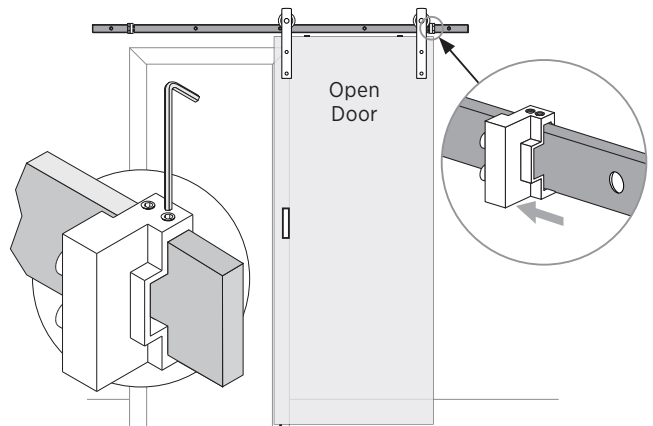
## STEP 20 Securing the End Stops

### A Left End Stop



- A)** Slide the door into the closed position. Move the left End Stop so that it is touching the side of the Bent Strap. Tighten with the small Allen Key.

### B Right End Stop



- B)** Slide the door into the open position. **Repeat Steps (A)** for the right side of the door.

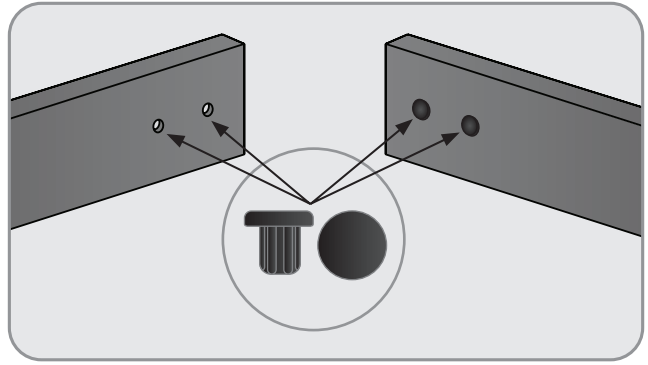
# Quick-Hang Barn Door Track System

## Important Barn Door Information

### CARE & MAINTENANCE

# STEP 21 Finish the installation

- A)** To finish the installation attach the Barn Door Track Joiner Plugs to both ends of the Track.



#### BASIC BARN DOOR CARE & MAINTENANCE

- Before you remove the door from its protective plastic bag, we advise that the door is acclimatized in the room you plan to install the door for 24 hours.
- Avoid installing near rooms with moisture or where temperatures change through the seasons. Optimal relative humidity in your home to prevent warp, twist, swelling, or shrinking in any wood product is 45% – 60%. Anything outside these parameters and their effects are the responsibility of the customer.
- Immediately clean spills with terry cloth or micro fiber to avoid damaging the surface. Do not use any hard tools or such that may scratch the surface, including pressure washers.
- Install indoors only.
- Do not trim the door.
- Lift and install with two people.

#### SOLID WOOD BARN DOOR

- It is important that you take care to properly finish this wood door. After you have removed the door from its protective plastic bag, it must be finished and sealed on all six sides ideally within 24 hours. Sealing the door properly will prevent door movement, such as warping and twisting, that occurs if the door is not sealed. Failure to seal the door properly will void the manufacturer's warranty.
- Do not clean with solvents or commercial cleaners as they may damage the finish and / or distort the natural texture of the wood. When cleaning, wipe with a damp cloth or sponge. For persistent stains, try baking soda and water in small test area before attempting to remove the stain.
- Typically sanding the entire door with 220 grit sandpaper, then applying two coats of your desired finish is adequate to get your desired finish.
- For doors to be painted, a good quality latex based primer and latex based paint to be used in finishing. Consult a paint professional where you purchased this door for their recommendations.
- For doors to be stained, a high quality water-based or oil-based stain is recommended. Follow the stain manufacturer's instructions, and do not thin the stain with any chemicals or water. In a high humidity environment use an oil based stain.
- **BE SURE TO FINISH ALL SIX SURFACES.** Your door, as typical of all wood products, is subject to swelling and shrinkage when changes occur in temperature and the relative humidity in your home.
- Inspect your door's finish at least once a year and re-finish as necessary, clean only twice a year or as needed.
- Pre-drill any holes for hanging straps (where applicable) and before applying any additional accessory hardware.

#### PRE-STAINED BARN DOOR

- Our barn doors are hand crafted and stained by our artisan painters to offer a premium quality and one of a kind finish to your door. Please note there may be imperfections in the wood and stain due to the nature of the materials used to create this natural and authentic appearance. As our barn doors are hand stained, they will emit an odor. The door has been placed in a protective plastic sleeve to ensure it arrives to you in the best condition possible. The sleeve does not allow the stain to off-gas as it would had the door not been protected. The smell could last from a few days to one week depending on the ventilation in the room and will decrease over this time. You may choose to leave the door in a low traffic area of your home until the smell has dissipated and the door has acclimatized to the humidity levels in your home (Opening of a window or two will help to ventilate the area and speed up the process). Any alternative methods to remedy the odor are at the purchaser's preference. Please use at your own discretion.
- Do not clean with solvents or commercial cleaners as they may damage the finish on the door. When cleaning, wipe with a damp cloth or sponge in a small test area before attempting to remove any stain.
  - Pre-stained barn doors offers an easy-to-maintain solution that is ready-to-hang.
  - Because the barn door is pre-stained, do not paint or stain the door. By doing so, the stain will be damaged and will void the manufacturer's warranty.

#### ENGINEERED WOOD BARN DOOR

- Engineered barn doors are finished with scratch resistant wrapped paper. Each design is pre-finished and offers an easy-to-maintain solution that is ready-to-hang.
- Because the barn door is pre-finished, do not paint or stain the door. By doing so, the wrapped paper will be damaged and will void the manufacturer's warranty.
- Pre-drill any holes for hanging straps (where applicable) and before applying any additional accessory hardware.
- Engineered barn doors are not recommended to be used with the Top of Door mounting straps due to the nature of the wood composite.

#### 5 YEAR LIMITED WARRANTY

Products warrantied against manufacturing defects for up to five years from the purchase date. The warranty applies only to the original purchaser of the product.

If a product is determined to be defective due to a manufacturing defect, a replacement product will be supplied. The scope of the warranty is limited to replacing the product and does not include labor required to install, repair or deliver, or any costs related to removing the existing product.

This warranty is void in the event that the product is damaged in transit, or if damage or failure is caused by abuse, misuse, storage of products in an improper environment, abnormal usage, faulty installation, failure to follow installation instructions, damage in an accident, improper maintenance, or any repair.

We reserve the right to inspect any claim prior to issuing credit.