



MKTD3893 - ENG - REV 1

Cassini

LED Medicine Cabinet | 200172NL



Products described in this manual must be installed by a licensed electrician.



PLEASE READ CAREFULLY

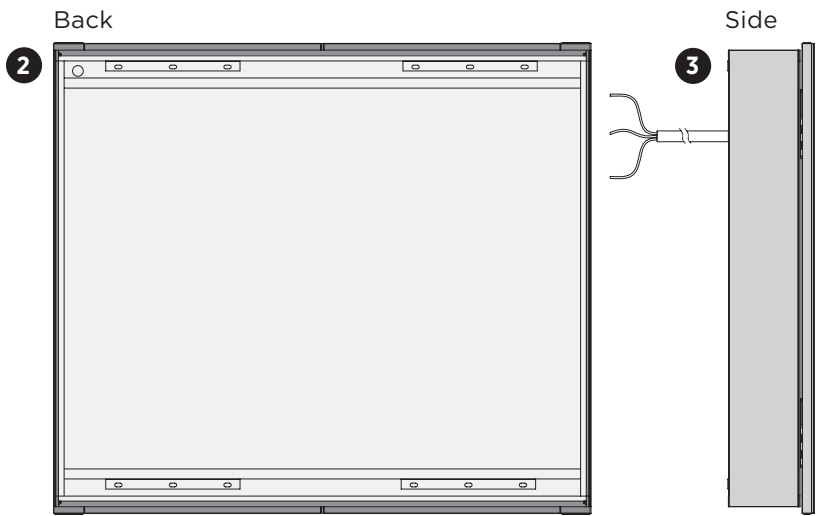
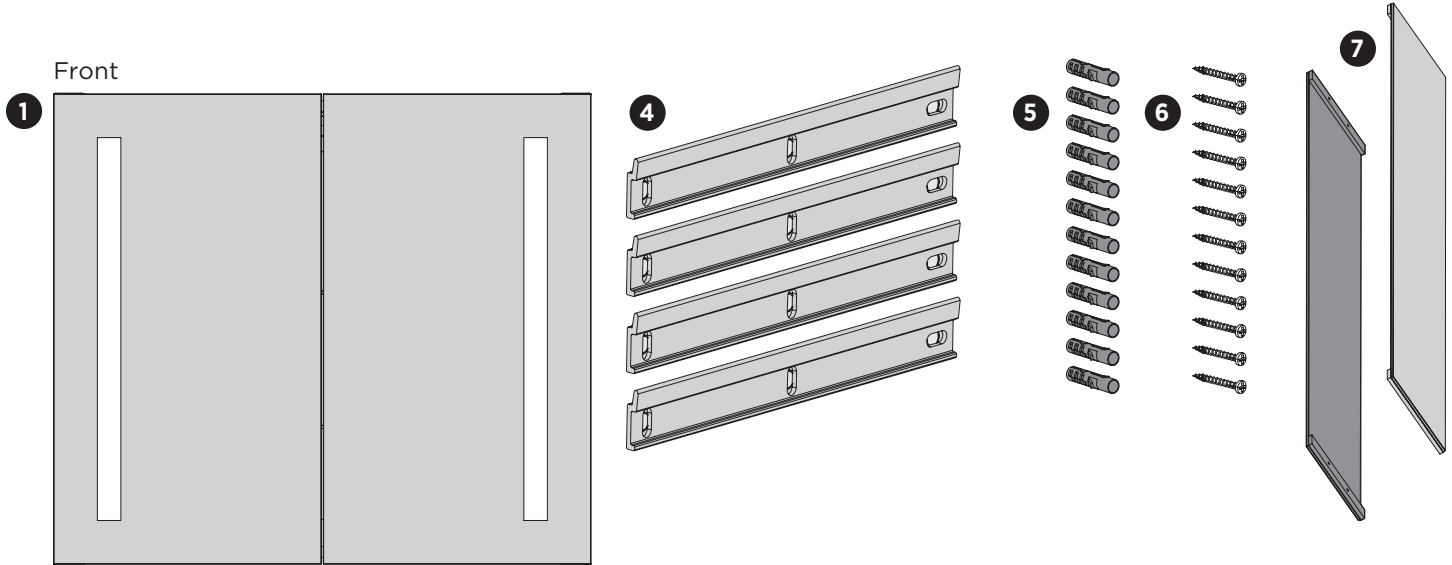
- Read all instructions carefully
- Protect your eyes by wearing safety goggles
- Keep the installation area free of clutter
- Follow each step completely before starting the next step

IMPORTANT!

VERIFY THAT ALL PARTS ARE INCLUDED IN THE PACKAGING. IF ANY PARTS ARE MISSING, DO NOT RETURN THIS PRODUCT TO THE STORE.

FOR ANY PARTS ASSISTANCE, PLEASE CALL 1-800-493-5263 BETWEEN 8:30 AM - 4:30 PM EST, MONDAY TO FRIDAY LANGUAGE: ENGLISH, FRENCH AND SPANISH

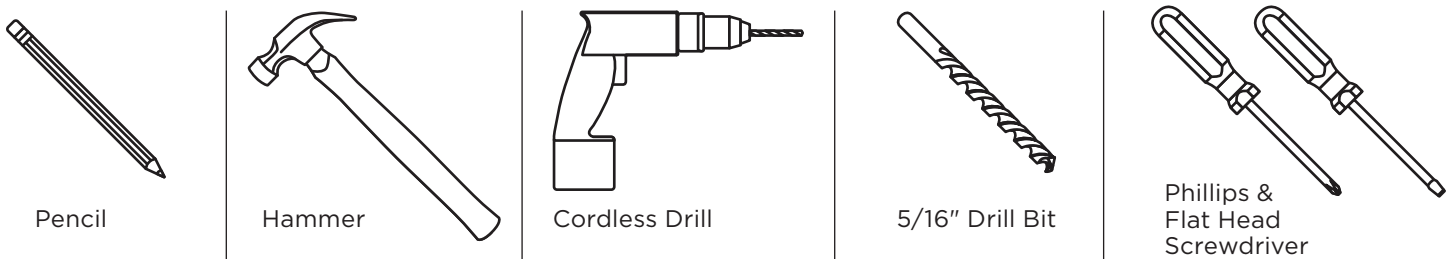
PACKAGE CONTENTS



PACKAGE CONTENTS

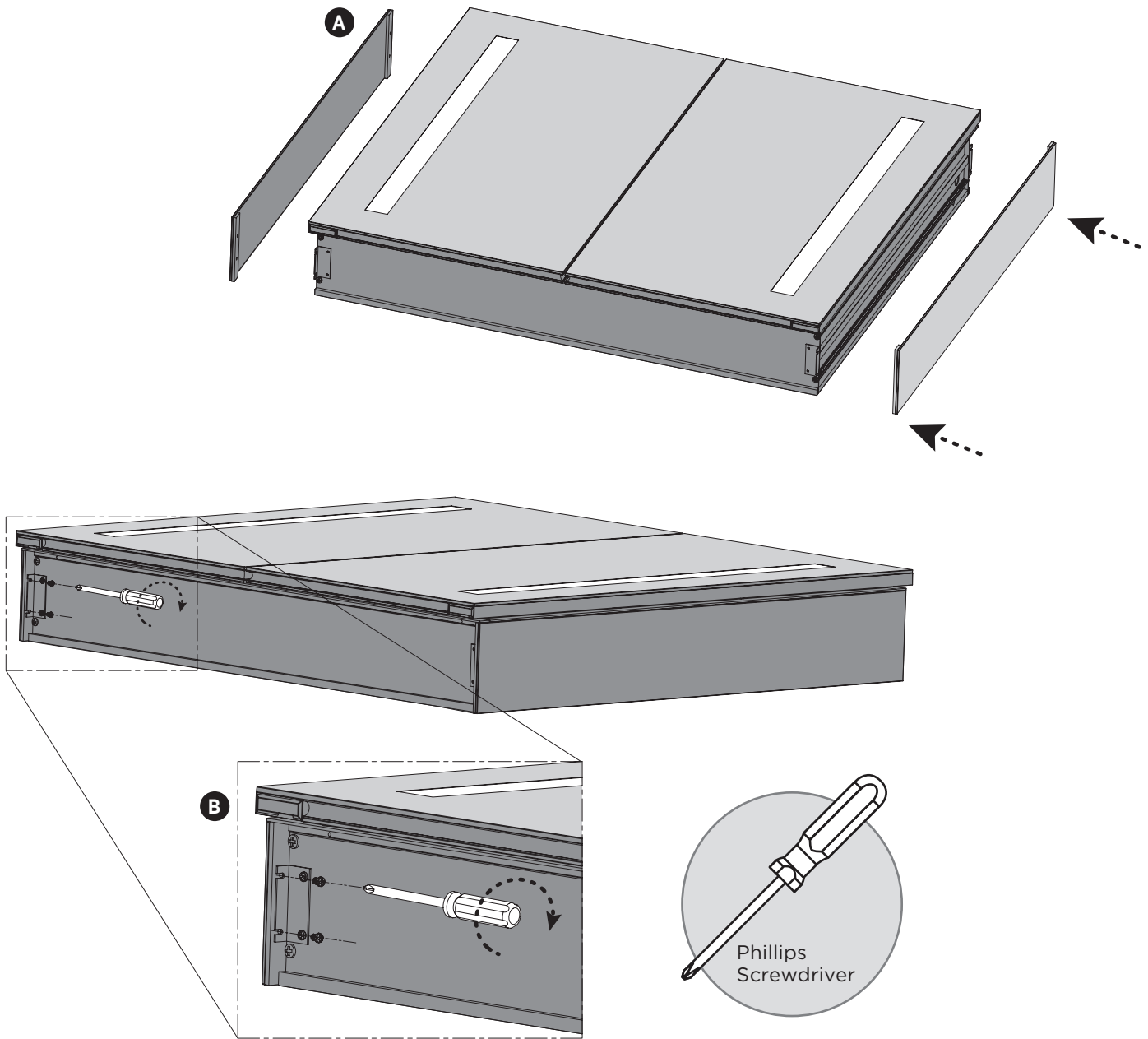
1	Front of Medicine Cabinet
2	Back of Medicine Cabinet
3	Side of Medicine Cabinet
4	4x Wall Mounts
5	12x Wall Mount Plugs
6	12x Wall Mount Screws
7	2x Surface Mount Side Mirrored Panels

TOOLS REQUIRED (NOT PROVIDED)





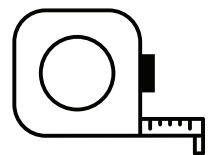
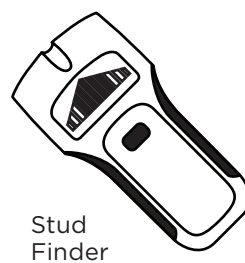
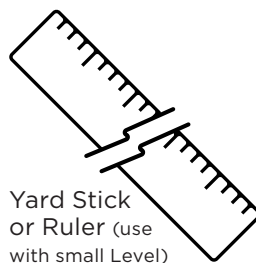
STEP 1 Set Up Surface Mount Side Mirrored Panels To Cabinet



MORE TOOLS REQUIRED (NOT PROVIDED)

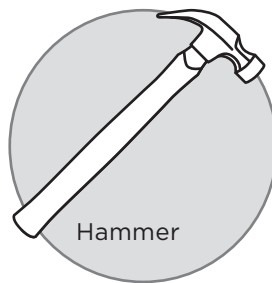
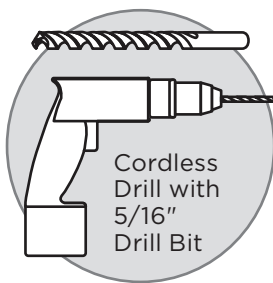
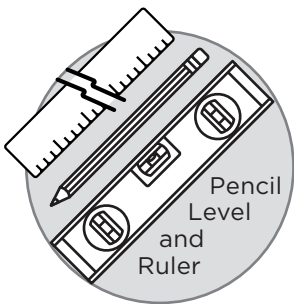
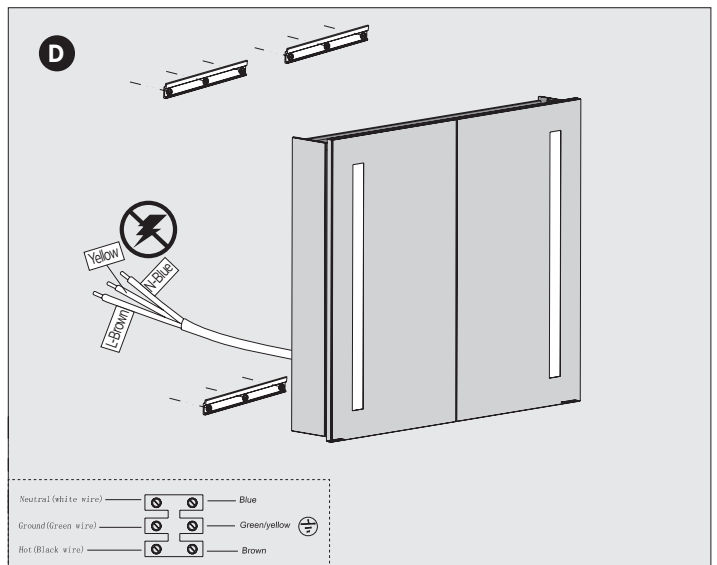
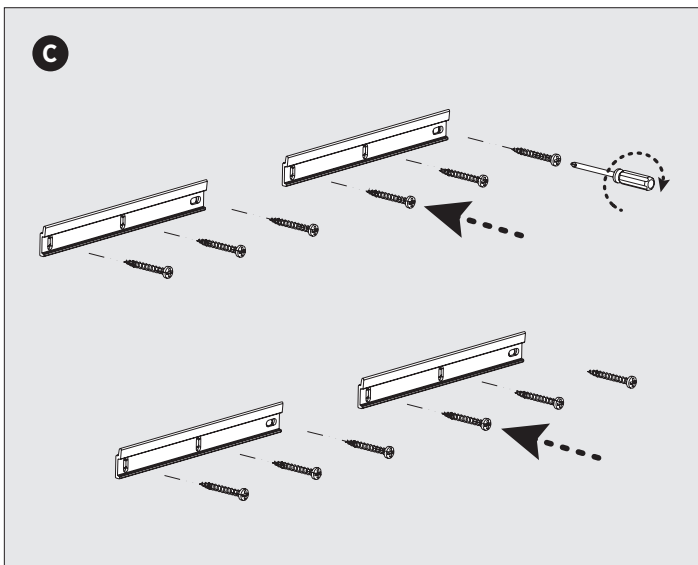
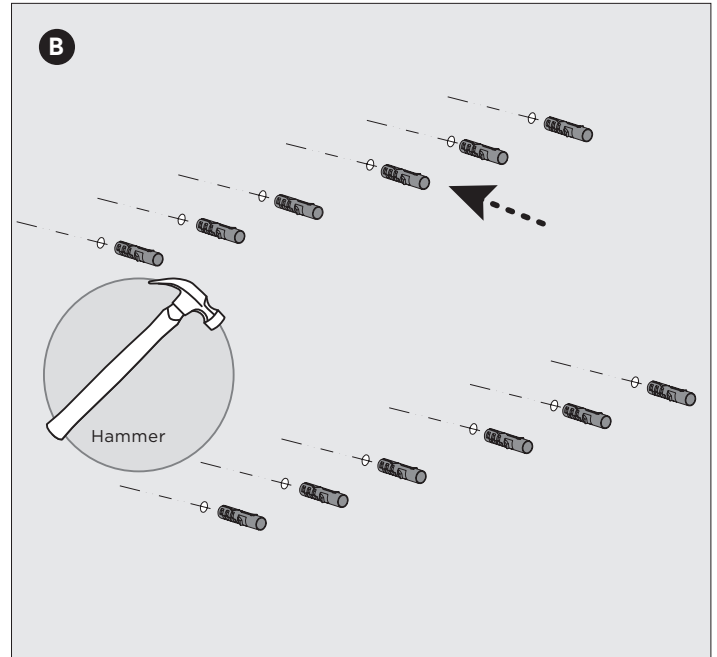
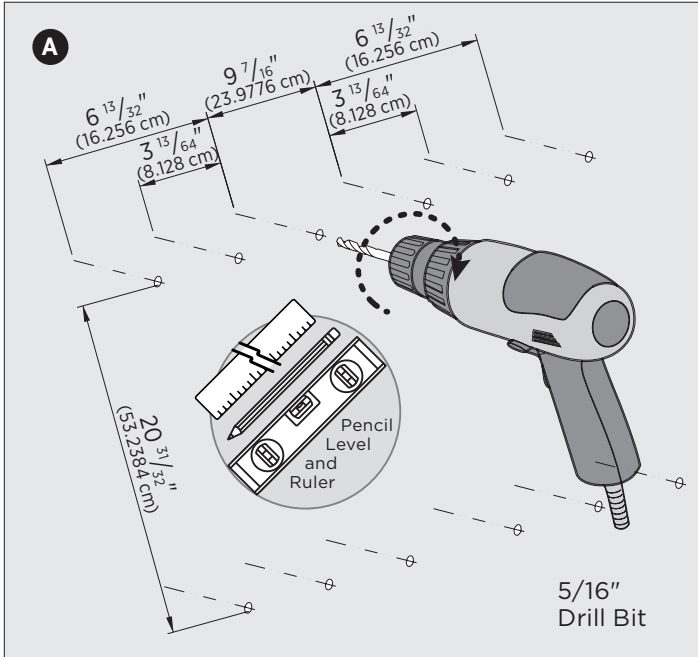


Small Level or 3' Level





STEP 2 Prepare Wall For Cabinet



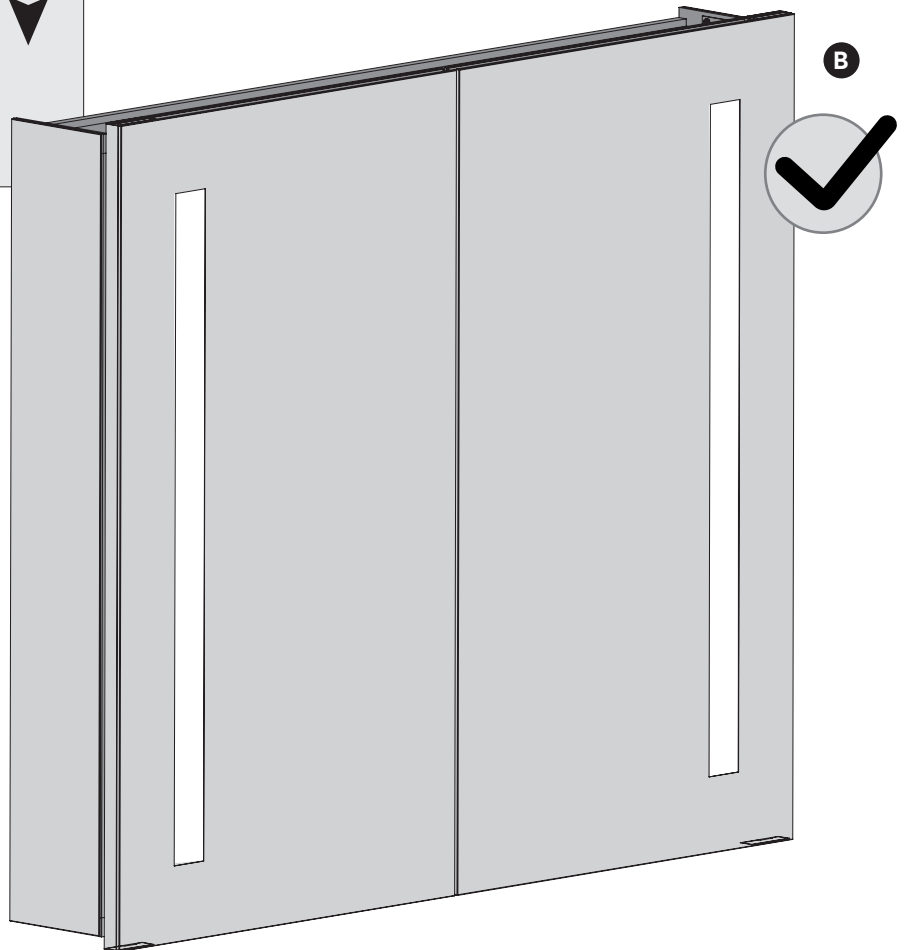
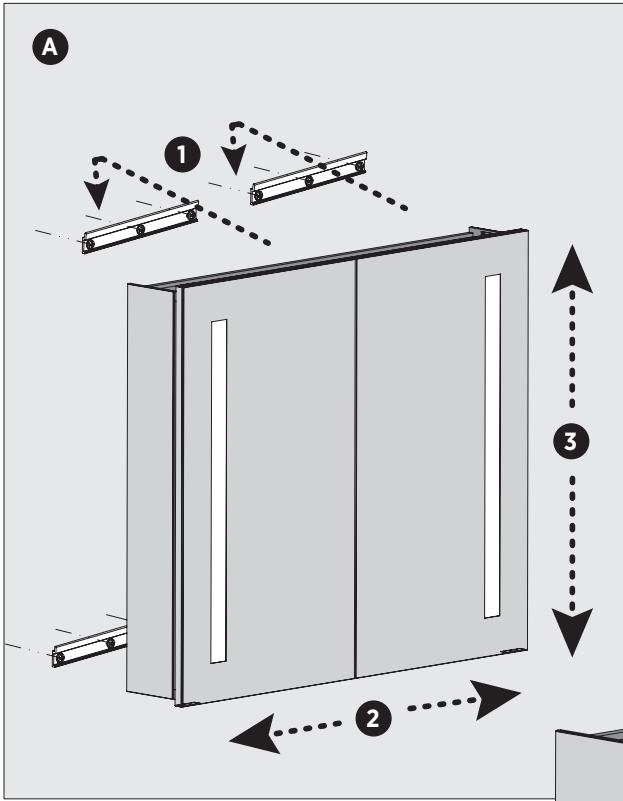
IMPORTANT!

Products described in this manual must be installed by a licensed electrician.

It is highly recommended that you follow all applicable building and electrical codes.



STEP 3 Place Cabinet On Wall

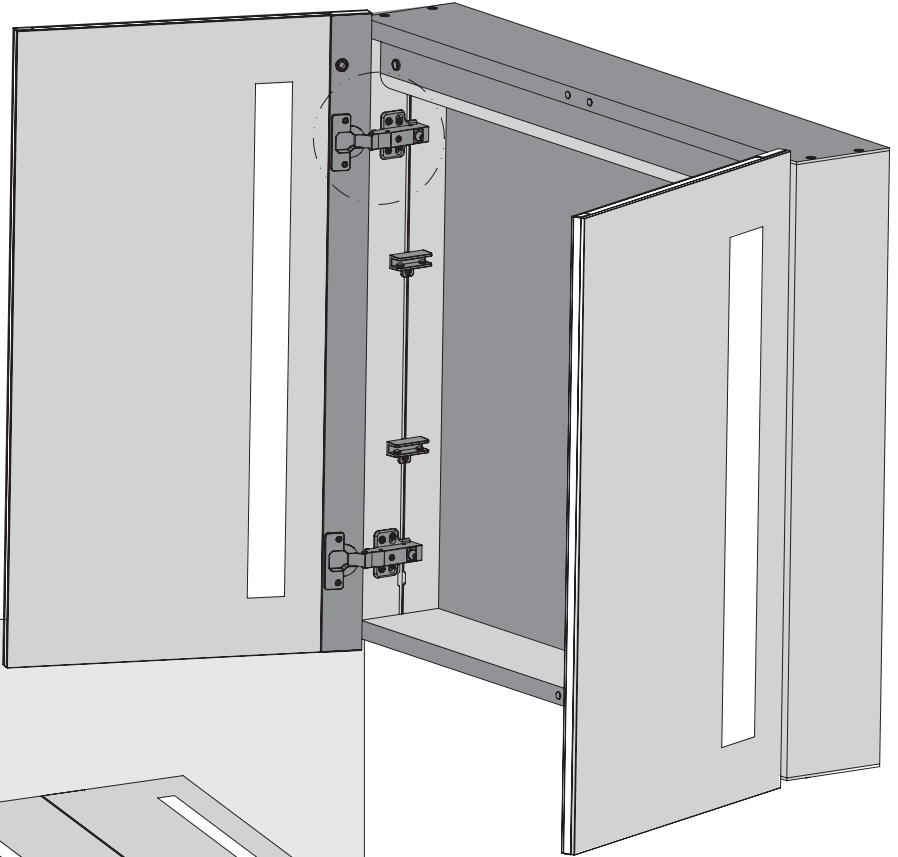




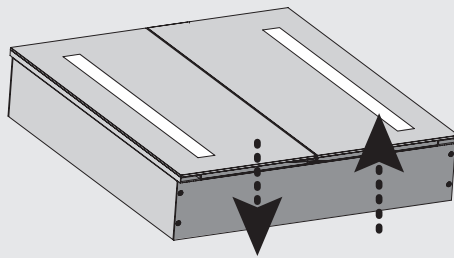
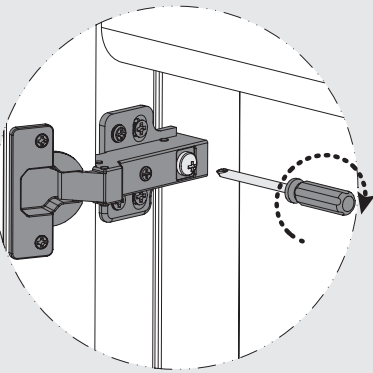
STEP 4 Adjust Soft Close Hinges



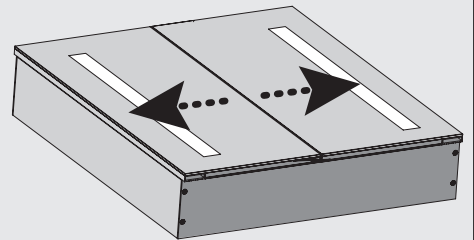
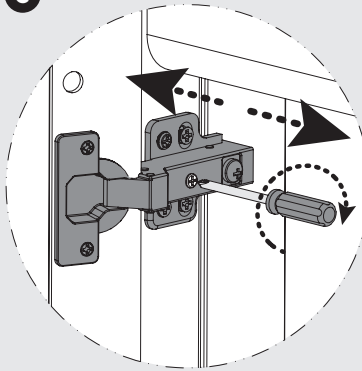
A



B

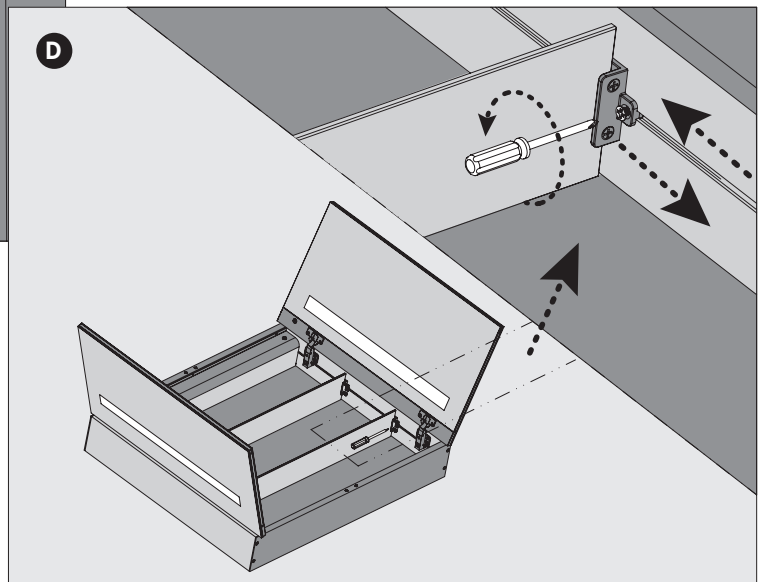
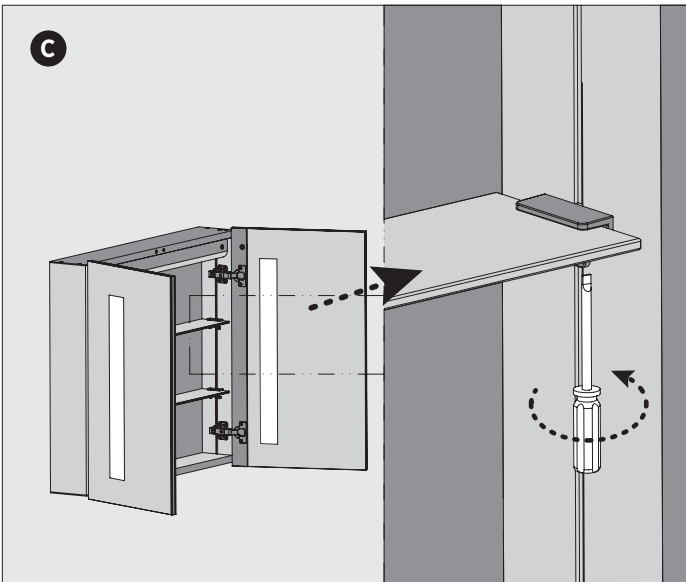
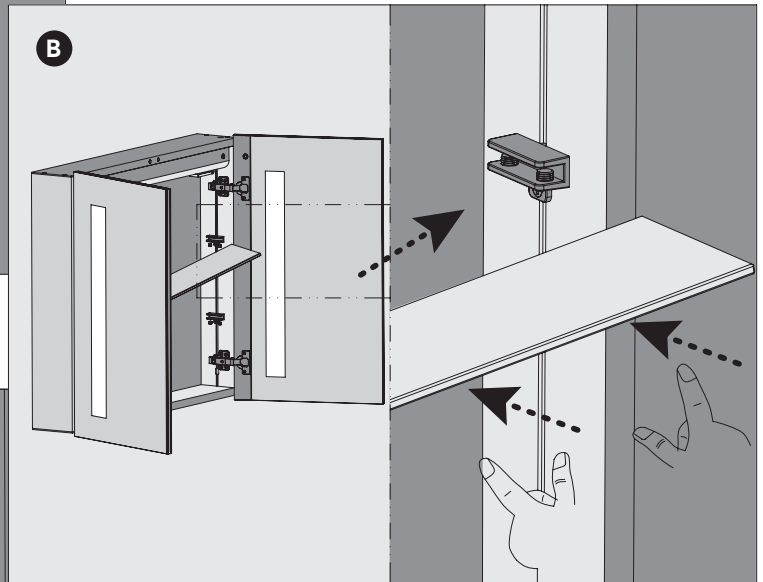
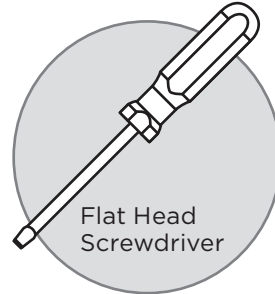
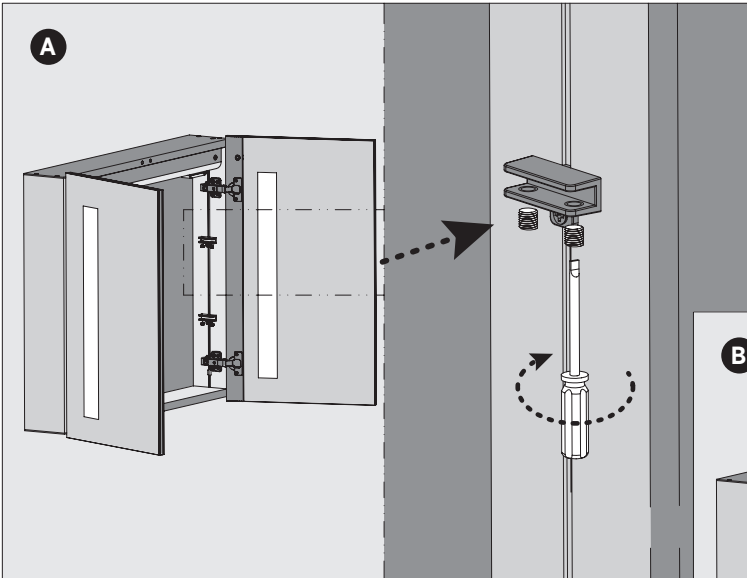


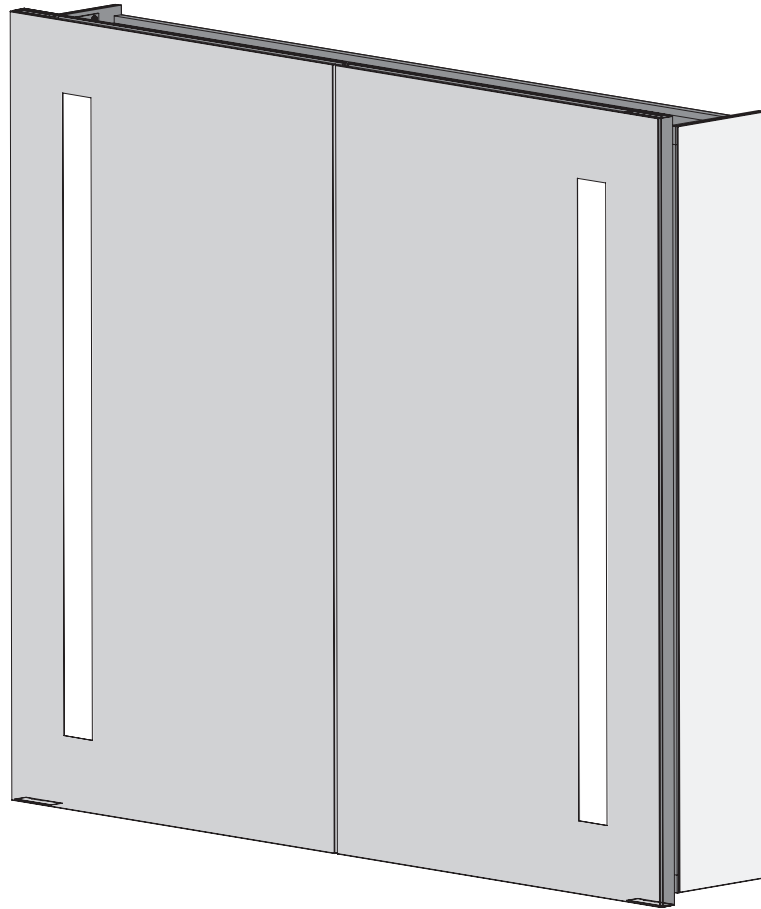
C





STEP 5 Adjust Glass Shelves





#inspiredbyrenin

Enjoy your new Renin product.

5 YEAR LIMITED WARRANTY

Renin warrants their products against manufacturing defects for up to five years from the purchase date. The warranty applies only to the original purchaser of the product from Renin.

If a product is determined to be defective due to a manufacturing defect, Renin will supply a replacement product. The scope of the warranty is limited to replacing the product and does not include labor required to install, repair or deliver, or any costs related to removing the existing product.

This warranty is void in the event that the product is damaged in transit, or if damage or failure is caused by abuse, misuse, storage of products in an improper environment, abnormal usage, faulty installation, failure to follow installation instructions, damage in an accident, improper maintenance, or any repair.

Renin reserves the right to inspect any claim prior to issuing credit.

Renin is a market leading manufacturer and distributor of sliding interior door systems, closet doors, room divider systems, barn doors, wall décor, door systems, door hardware, fabricated glass, and decorative mirrors.



1141 RYDER STREET
TUPELO, MS 38804

110 WALKER DRIVE
BRAMPTON, ON L6T 4H6

W. RENIN.COM
E. INFO@RENIN.COM

Share with us - #inspiredbyrenin

